

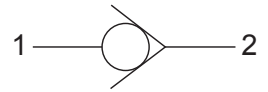


Up to 69 bar - 38 lpm

Operation

The D-DECVS allows flow to pass from (2) to (1) and blocks flow from (1) to (2).

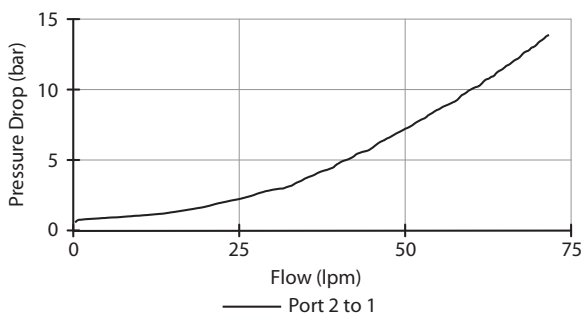
The cartridge has a fully guided check poppet, which is spring-biased closed until sufficient pressure is applied at (2) to open to (1).

Symbol

Features

- Soft seat for ultra low leakage.
- Industry common cavity.
- Optional bias springs for backpressure application flexibility.

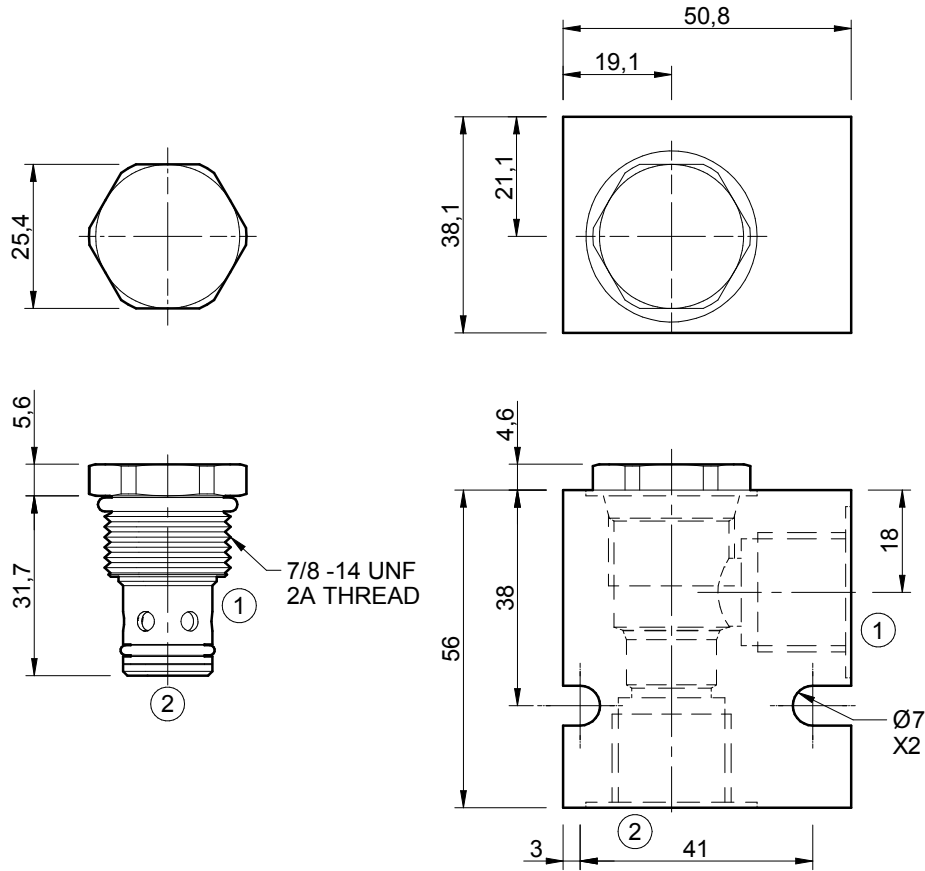
Performance

32 cSc / 38°C.


Specifications

| | |
|---------------------------|--|
| Nom. Flow (lpm) | 38 |
| Max. Pressure (bar) | 69 |
| Internal Leakage (32 cSt) | Negligible |
| Hydraulic Oil | General purpose hydraulic fluid |
| Viscosity Range | 3 to 640 cSt |
| Filtration | ISO 18/16/13 |
| Operating Temp. | 0 to 70°C |
| Cartridge Torque | 41 Nm |
| Cavity | DE10-2 (see cavity data page CAV-DE10-2) |
| Spare Seal Kit (Viton) | SK-DDEVHA |
| Weight - Valve only | 0.06 kg |
| Weight - Valve + Body | 0.29 kg (alum) 0.71 kg (steel) |

Dimensions
[mm]



Ordering Code

