

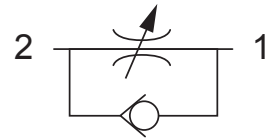
Up to 240 bar - 45 lpm

Operation

The D-DEFCH increases its orifice value from fully closed to fully open by turning screw counterclockwise.

When adjusted open the valves regulates flow (1) to (2). When fully closed the valve restricts flow from (1) to (2).

A check within the valve allows free reverse flow between (2) and (1). There are two adjustable options giving either 'standard' (to nom. 45 lpm) or 'fine' (to nom. 25 lpm).

Symbol

Adjustment

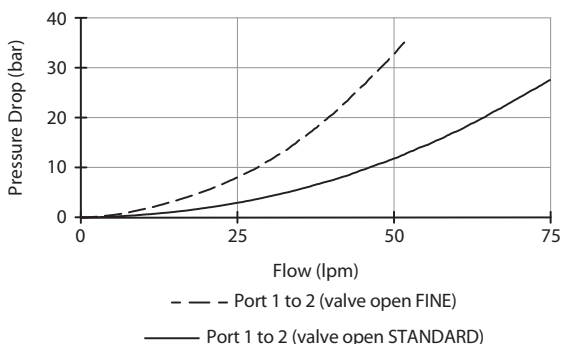
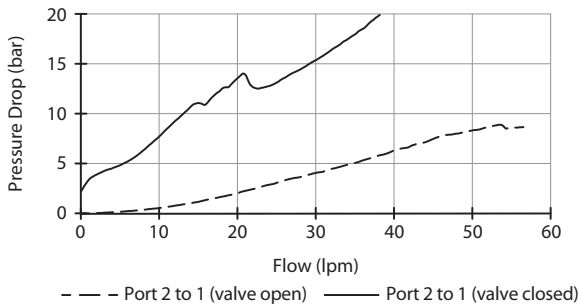
 Turn  to decrease flow.

Features

- Hardened cage and spool for long life.
- Industry common cavity.

Performance

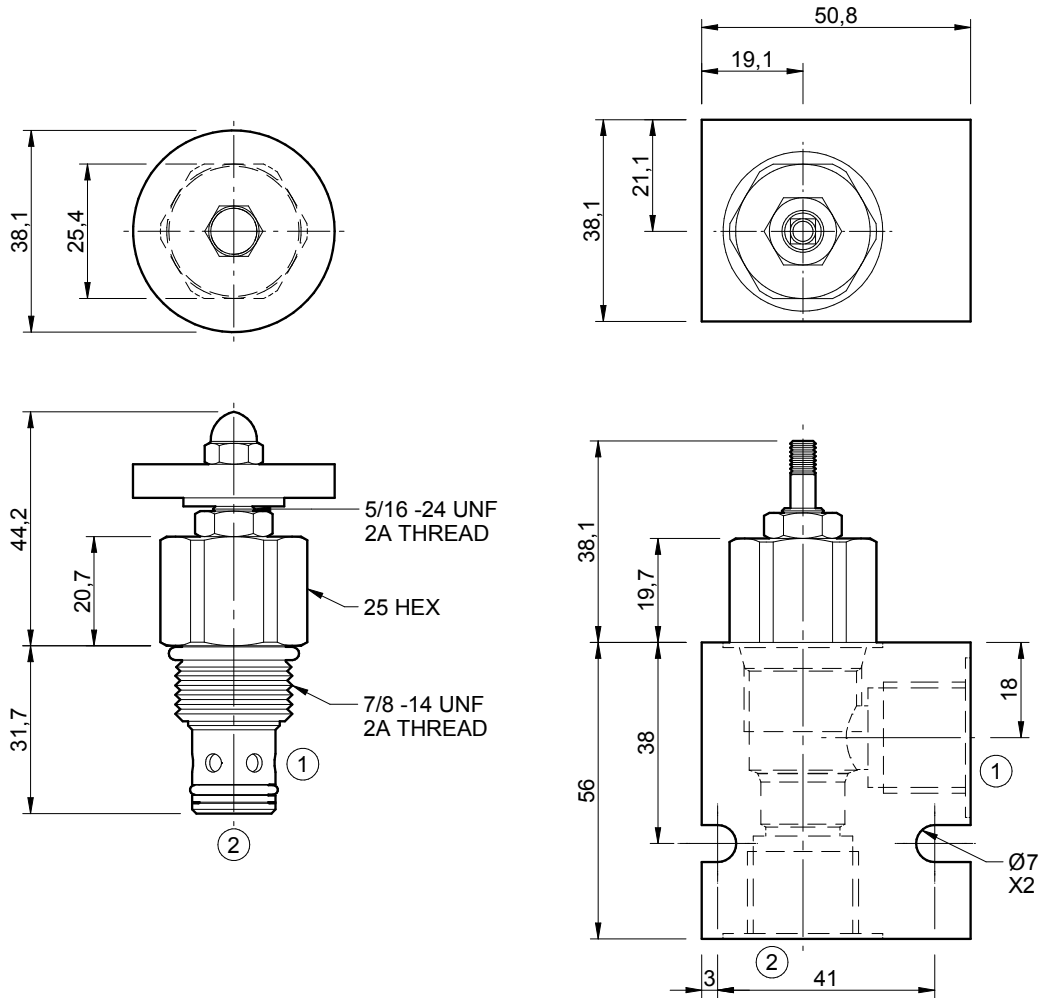
32 cSc / 38°C.


Specifications

Nom. Flow (lpm)	45
Max. Pressure (bar)	240
Hydraulic Oil	General purpose hydraulic fluid
Viscosity Range	3 to 640 cSt
Filtration	ISO 18/16/13
Operating Temp.	-40 to 120°C
Cartridge Torque	41 Nm
Cavity	DE10-2 (see cavity data page CAV-DE10-2)
Spare Seal Kit (Viton)	SK-DDEVHA
Weight - Valve only	0.15 kg
Weight - Valve + Body	0.38 kg (alum) 0.80 kg (steel)

Dimensions

[mm]



Ordering Code

D-DEFCH

