



Up to 240 bar - 57 lpm

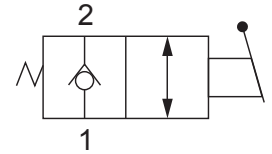
This lever operated poppet valve is typically used in blocking or load holding circuits.

**Operation**

The D-DEMCL blocks flow from (1) to (2) until an operator pulls the handle upward. The bias spring (see options for pressure) allows for back-pressure at (2) before the valve will open.

Note: Pressure at port (2) will directly act on the spool and spring. Port (2) is intended to be a tank port only.

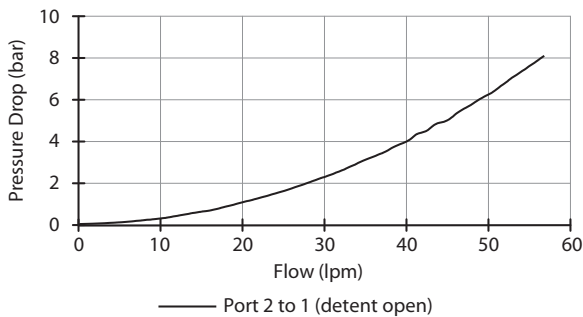
When the lever is moved to its vertical position the valve poppet is detented open.

**Symbol**

**Features**

- Hardened parts for long life.
- Industry common cavity

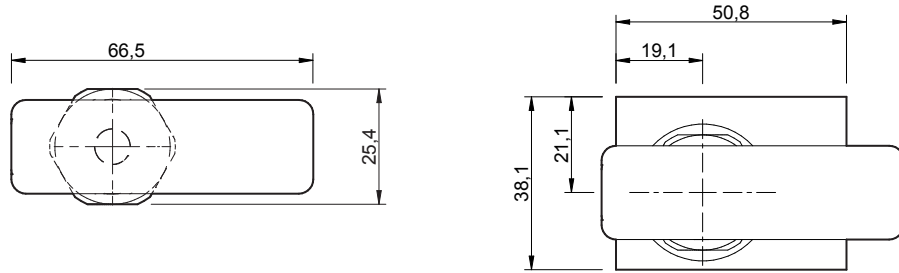
**Performance**

32 cSc / 38°C.


**Specifications**

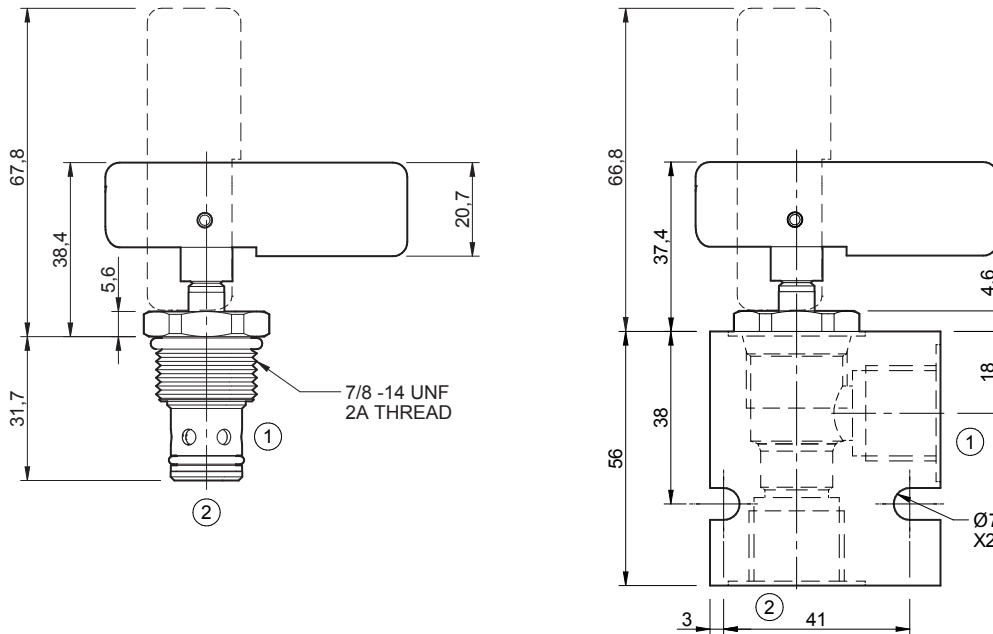
|                           |  |
|---------------------------|--|
| Nom. Flow (lpm)           | 57   |
| Max. Pressure (bar)       | 240  |
| Internal Leakage (32 cSt) | 0.25 cc/min                                      |
| Hydraulic Oil             | General purpose hydraulic fluid                  |
| Viscosity Range           | 3 to 640 cSt                                     |
| Filtration                | ISO 18/16/13                                     |
| Operating Temp.           | -40 to 120°C                                     |
| Cartridge Torque          | 41 Nm  |
| Cavity                    | DE10-2 (see cavity data page <b>CAV-DE10-2</b> ) |
| Spare Seal Kit (Viton)    | SK-DDEVHA  |
| Weight - Valve only       | 0.15 kg  |
| Weight - Valve + Body     | 0.38 kg (alum) 0.80 kg (steel)                   |

**Dimensions**  
[mm]



**To Operate**

Pull up lever.



**Ordering Code**

**D-DEMCL**

|                      |                             |      |                          |                          |                                       |
|----------------------|-----------------------------|------|--------------------------|--------------------------|---------------------------------------|
|                      | **                          | **** | *                        | *                        | *                                     |
| <b>Options</b>       | <b>Spring bias pressure</b> |      | <b>Port size (BSP)</b>   | <b>No. of ports</b>      | <b>Body material</b>                  |
| 00 - Nitrile         | 0065 - 5 bar (65 psi)       |      | B - 3/8"                 | 2 - 2 ports              | A - Aluminium                         |
| V0 - Viton           | 0160 - 11 bar (160 psi)     |      | C - 1/2"                 | Options - See page B-DDE | S - Steel                             |
| A0 - Nitrile, screen |                             |      | Options - See page B-DDE |                          | For pressures over 210 bar use steel. |
| W0 - Viton, screen   |                             |      |                          |                          |                                       |

NOTE: Pressure above SPRING BIAS PRESSURE at port (2) may cause valve to self open