



Up to 240 bar - 57 lpm


Symbol

Operation

The D-DENVB varies flow from fully open to fully closed by turning adjusting screw clockwise. When adjusted open the valve allows flow (1) to (2) and (2) to (1). When fully closed the valve blocks flow from (1) to (2) and (2) to (1).

This valve can be used to vary flow and also as a shut-off valve.

Adjustment

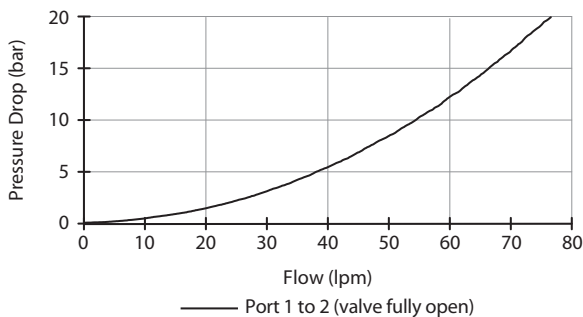
Turn  to decrease flow and shut off.

Features

- Hardened cage and spool for long life.
- Industry common cavity.

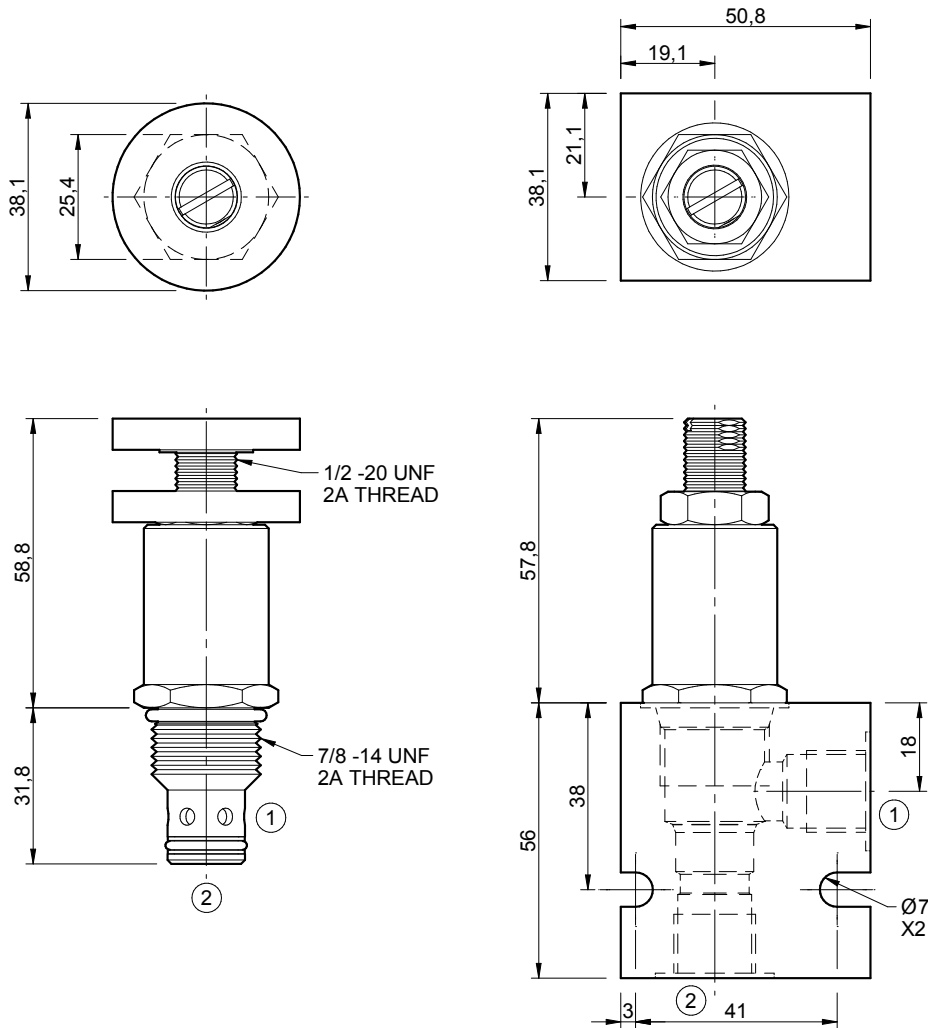
Performance

32 cSt / 38°C.


Specifications

Nom. Flow (lpm)	57
Max. Pressure (bar)	240
Hydraulic Oil	General purpose hydraulic fluid
Viscosity Range	3 to 640 cSt
Filtration	ISO 18/16/13
Operating Temp.	-40 to 120°C
Cartridge Torque	41 Nm
Cavity	DE10-2 (see cavity data page CAV-DE10-2)
Spare Seal Kit (Viton)	SK-DDEVHD
Weight - Valve only	0.21 kg
Weight - Valve + Body	0.44 kg (alum) 0.86 kg (steel)

Dimensions
[mm]



Ordering Code

D-DENVB

		**						
		*			*		*	
		Options			Port size (BSP)		No. of ports	
		00 - Nitrile			B - 3/8"		2 - 2 ports	
		V0 - Viton			C - 1/2"		Options - See page B-DDE	
		0K - Nitrile, Knob			Options - See page B-DDE		Body material	
		VK - Viton, Knob					A - Aluminium	
		A0 - Nitrile, Screen					S - Steel	
		W0 - Viton, Screen					For pressures over 210 bar use steel.	
		AK - Nitrile, Screen, Knob						
		WK - Viton, Screen, Knob						
		NOTE: Use screen only if flow direction is from 1 to 2						
		Knob Part No.						
		PT-KN22020004						