



Up to 275 bar - 30 lpm

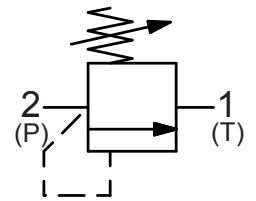
This is a direct-acting poppet type relief valve, typically used to provide relief protection in low and fixed flow circuits. It is fast acting and dirt tolerant with good hysteresis characteristics and is ideal for service line protection.

Operation

The D-DERVA blocks flow from (2) to (1) until sufficient pressure is present at (2) to force the poppet to open and allow metered flow from (2) to (1).

The cartridge offers smooth transition in response to load changes in common hydraulic circuits.

Symbol



Adjustment

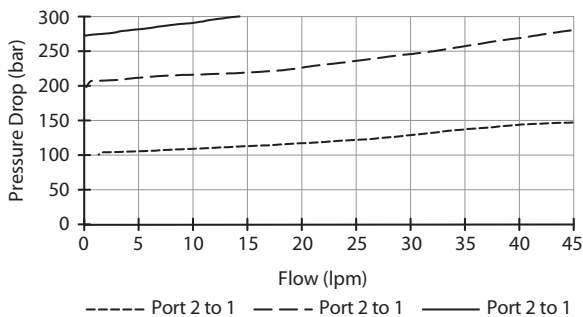
Turn  to increase pressure.

Features

- Hardened parts for long life.
- Industry common cavity.

Performance

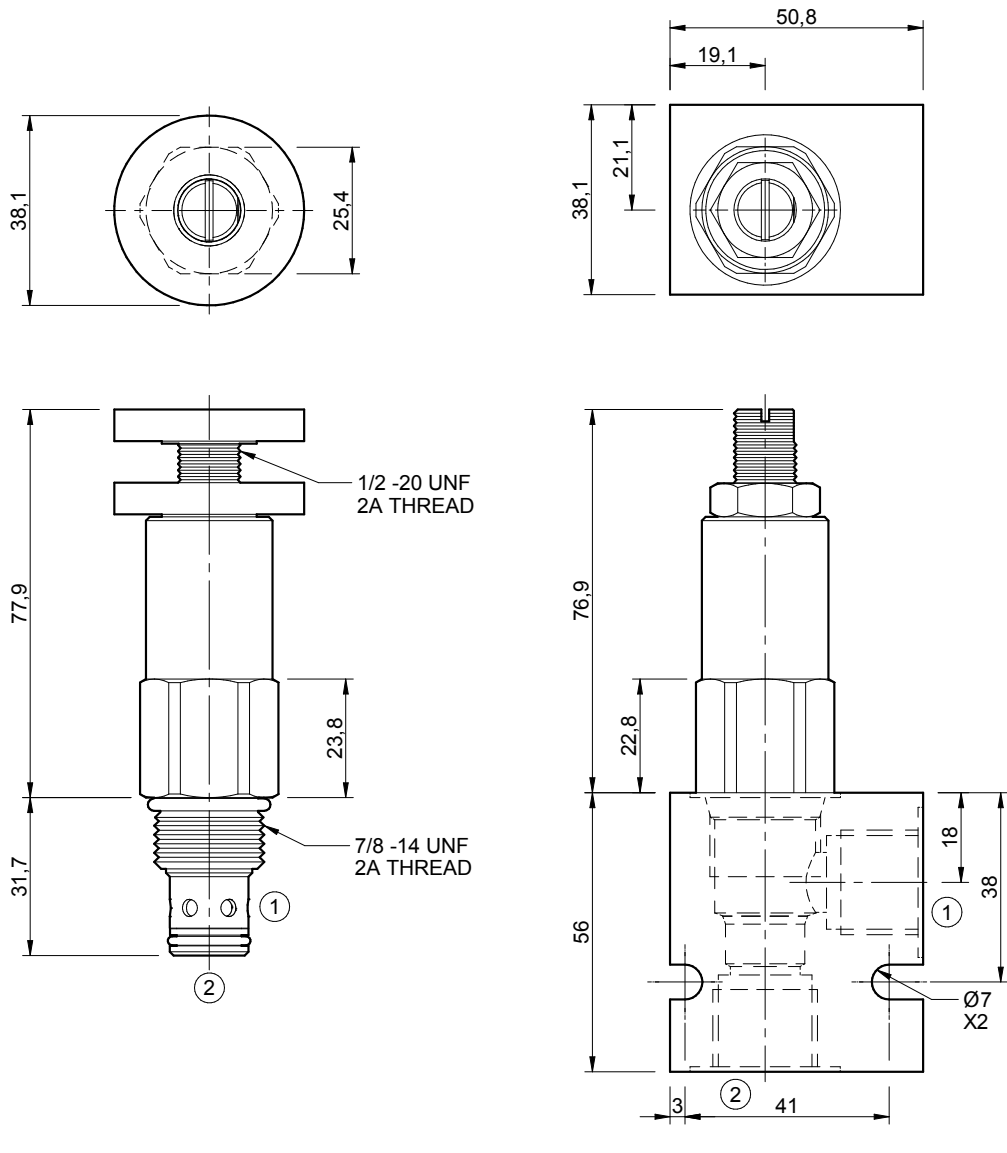
32 cSt / 38°C.



Specifications

Nom. Flow (lpm)	30
Max. Pressure (bar)	275
Hydraulic Oil	General purpose hydraulic fluid
Viscosity Range	3 to 640 cSt
Filtration	ISO 18/16/13
Operating Temp.	-40 to 120°C
Cartridge Torque	41 Nm
Cavity	DE10-2 (see cavity data page CAV-DE10-2)
Spare Seal Kit (Viton)	SK-DDEVHA
Weight - Valve only	0.25 kg
Weight - Valve + Body	0.48 kg (alum) 0.90 kg (steel)

Dimensions
[mm]



Ordering Code

