



Up to 275 bar - 76 lpm

The D-DERVC is a direct-acting, cross over relief valve, typically used to give dual service line relief protection in double acting cylinder or motor circuits.

Operation

When pressure at either port exceeds the nominal setting value, flow will be diverted to the opposite port. Back pressure at either port will affect the nominal setting of the opposite port on a 1:1 basis. For correlation purposes, pre-set value will be measured at port (2). Pressure at port (1) will not vary more than ± 20 bar from the port (2) value. The cartridge offers smooth transition in response to load changes in common hydraulic circuits.

Adjustment

Turn  to increase pressure.

Features

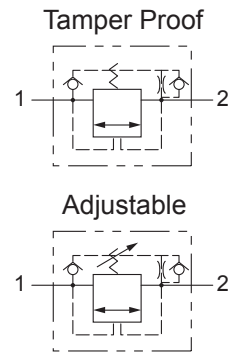
- Hardened parts for long life.
- Industry common cavity.



The D-DERVC is designed for series circuit applications with controlled leakage between ports (2) and (1).

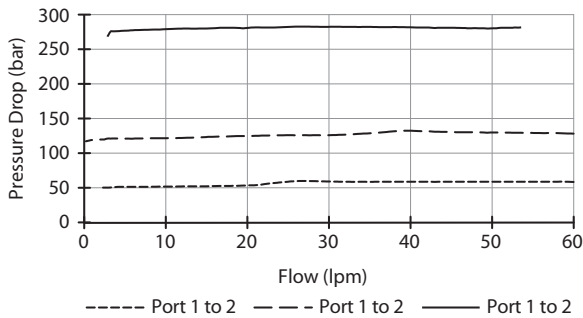
For parallel circuits, use D-DERVB

Symbol



Performance

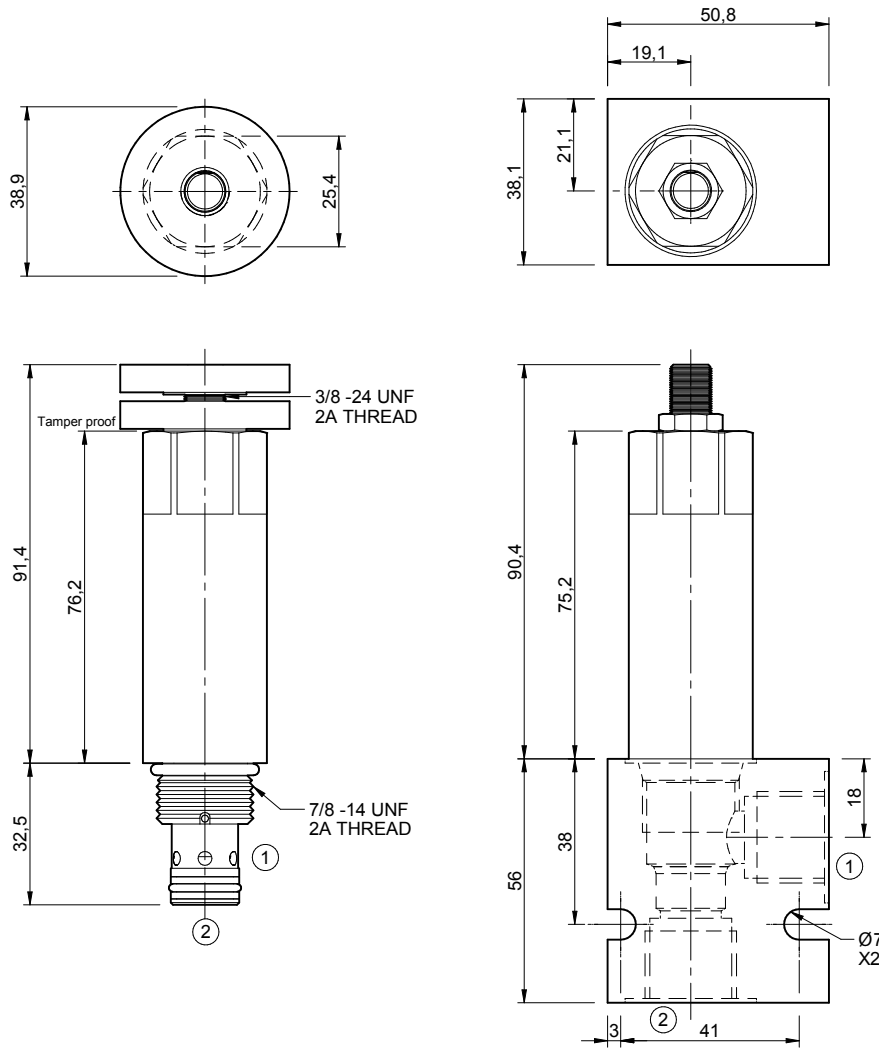
32 cSc / 38°C.



Specifications

Nom. Flow (lpm)	57 from (2) to (1) 76 from (1) to (2)
Max. Pressure (bar)	275
Hydraulic Oil	General purpose hydraulic fluid
Viscosity Range	3 to 640 cSt
Filtration	ISO 18/16/13
Operating Temp.	-40 to 120°C
Cartridge Torque	41 Nm
Cavity	DE10-2 (see cavity data page CAV-DE10-2)
Spare Seal Kit (Viton)	SK-DDEVHD
Weight - Valve only	0.36 kg
Weight - Valve + Body	0.59 kg (alum) 1.01 kg (steel)

Dimensions
[mm]



Ordering Code

D-DERVC

****** ******** ***** ***** *****

Options	Pressure setting	Port size (BSP)	No. of ports	Body material
00 - Nitrile	0700 - 7 to 48 bar	B - 3/8"	2 - 2 ports	A - Aluminium
V0 - Viton	1800 - 34 to 124 bar	C - 1/2"	Options - See page B-DDE	S - Steel
0K - Nitrile, Knob	4000 - 69 to 275 bar	Options - See page B-DDE		For pressures over 210 bar use steel.
VK - Viton, Knob	Tamper Proof			
0I - Nitrile, Internal Adj.	Fill in 4 digit pressure setting e.g. 034B - 34 bar			
VI - Viton, Internal Adj.				
0T - Nitrile, Tamper Proof				
VT - Viton, Tamper Proof				

Knob Part No.
PT-KN22020049