




Up to 275 bar - 57 lpm

This is a pilot operated spool type relief valve, typically used to provide main system relief protection. It is ideal for continuous duty and accurate stable pressure control with constant or varying flows.

Operation

The D-DERWP blocks flow from (2) to (1) until sufficient pressure is present at (2) to force the pilot stage open, allowing the main stage spool to shift, opening (2) to (1).

Adjustment

Turn  to increase pressure.

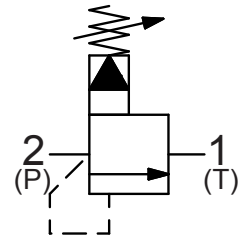
Features

- Hardened parts for long life.
- Industry common cavity.



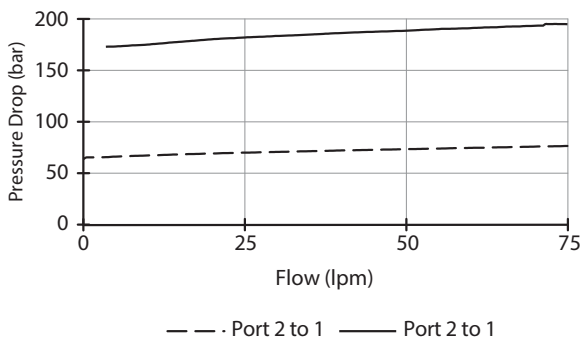
This valve should not be used for service relief protection where load holding is required. In this case use a direct acting poppet style relief.

Symbol



Performance

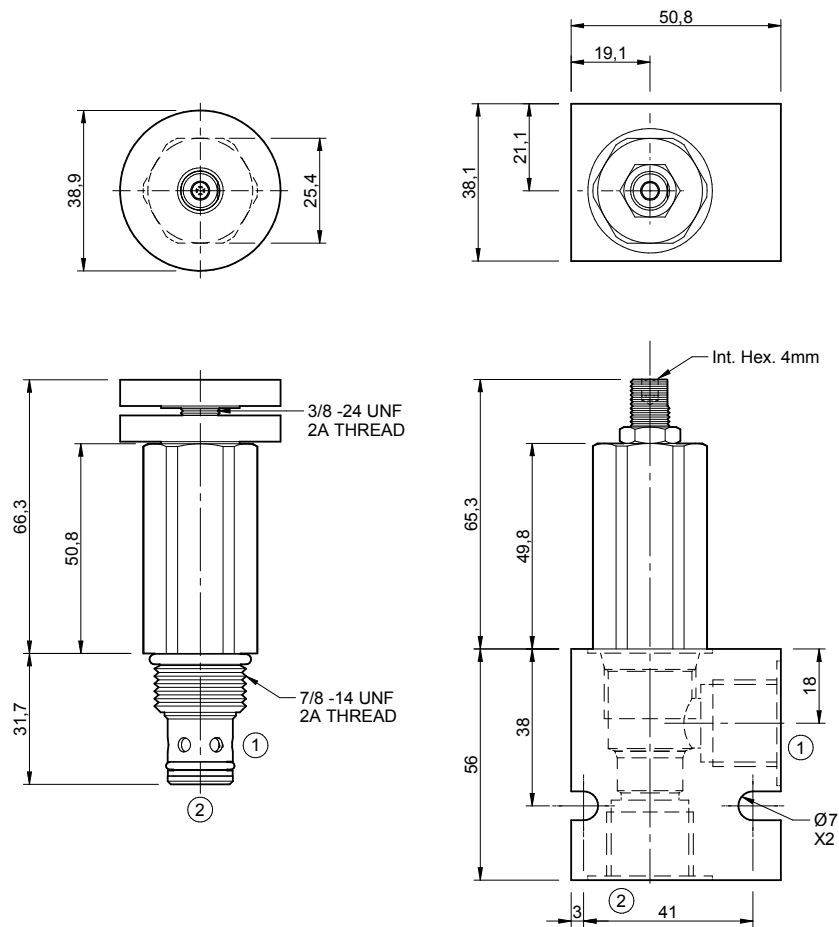
32 cSc / 38°C.



Specifications

Nom. Flow (lpm)	57
Max. Pressure (bar)	275
Hydraulic Oil	General purpose hydraulic fluid
Viscosity Range	3 to 640 cSt
Filtration	ISO 18/16/13
Operating Temp.	-40 to 120°C
Cartridge Torque	41 Nm
Cavity	DE10-2 (see cavity data page CAV-DE10-2)
Spare Seal Kit (Viton)	SK-DDEVHA
Weight - Valve only	0.24 kg
Weight - Valve + Body	0.47 kg (alum) 0.89 kg (steel)

Dimensions
[mm]



Ordering Code

