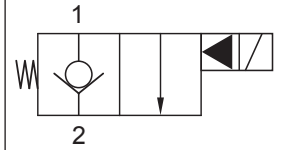




Up to 69 bar - Up to 38 lpm

Symbol



Operation

This is a solenoid operated 2 way normally closed soft seat poppet valve. When energised the poppet opens and releases the load from 1 to 2. Deenergised the valve allows free flow from 2 to 1. In the energised position it should be noted that 2 to 1 flow is restricted to only a pilot flow rate. The provision of a soft seated poppet gives an almost zero leakage when closed.

Manual override options available.

Features

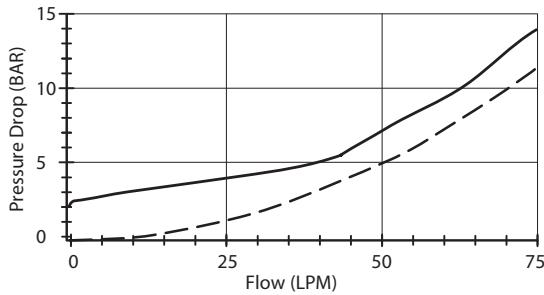
- Soft seat for ultra low leakage.
- Efficient wet-armature construction.
- Cartridges are voltage interchangeable.
- Manual override options.
- Industry common cavity.
- Unitised, molded coil design.
- Continuous duty rated solenoid.
- Optional coil voltages and terminations.
- Optional "I" Coil: Weatherproof, Thermal, Shock, Immersion Safe.



Operational shift limit 38 lpm. For shifted flow performance consult chart.

Performance

32 cSt / 38°C.



--- Port 1 to 2 (eng) ——— Port 2 to 1 (de-eng)

Specifications

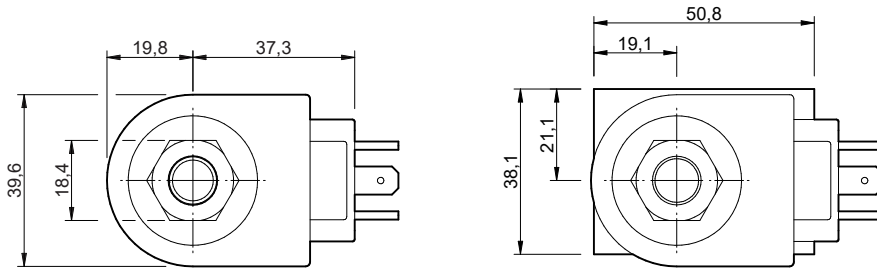
Nom. Flow (lpm)	38
Max. pressure (bar)	69
Internal Leakage (32 cSt)	Negligible
Hydraulic oil	General purpose hydraulic fluid
Viscosity Range	3 to 640 cSt
Filtration	ISO 18/16/13
Operating temp.	0 to 70°C
Voltage	DC / AC (see coil data page Coil-D)
Cartridge Torque	41 Nm
Coil Nut Torque	5 to 8 Nm
Cavity	DE10-2 (see data page CAV-DE10-2)
Spare Seal Kit (Viton)	SK-DDEVHA
Weight - Cartridge only	0.11 kg
Weight - Cartridge + Coil	0.44 kg
Weight - Cartridge + Coil + Body	0.67 kg (alum) 1.09 kg (steel)

Energisation Chart

Solenoid	Flow Direction	
	1 → 2	2 → 1
De-energised	Load holding	Free flow
Energised	Free flow	Restricted flow

Dimensions

[mm]



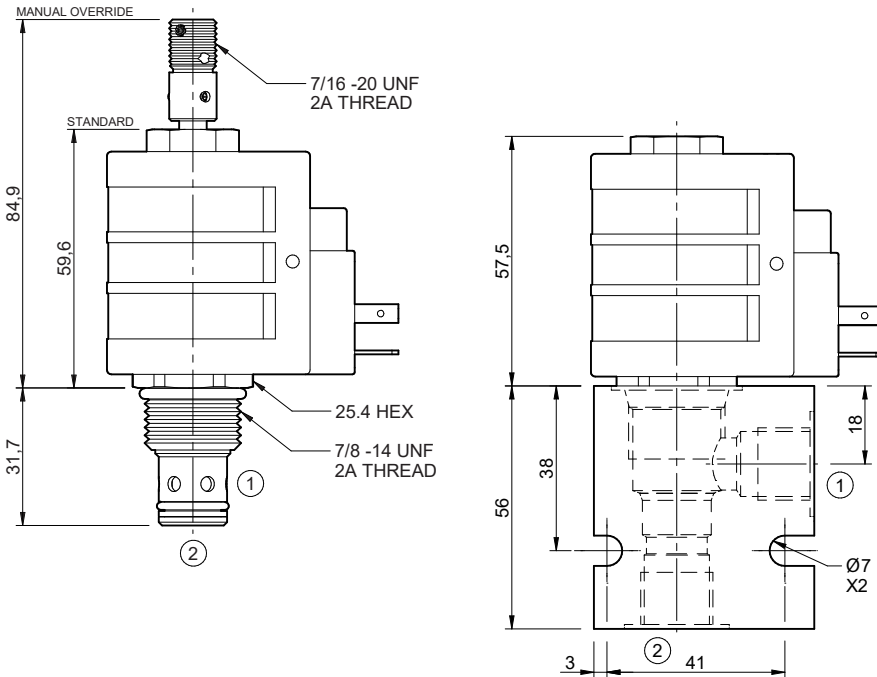
To Override

Detented Version
Pull & Twist

Non-Detented Version
Pull (spring return)

Coils can be fitted in any orientation.

Refer to data sheet **Coil-D** for coil options.



Ordering Code

D-DES2F — ****** — ****** ****** — ***** ***** *****

Options	Coil termination	Voltage	Port size (BSP)	No. of ports	Body material
00 - Nitrile	DL - Double lead	12 - 12 Vdc	B - 3/8"	2 - 2 ports	A - Aluminium
V0 - Viton	DS - Double spade	24 - 24 Vdc	C - 1/2"	Options - See page B-DDE	S - Steel
0M - Nitrile, overr., detent	HC - EN 175301-803*	48 - 48 Vdc	Options - See page B-DDE		
VM - Viton, overr., detent	CL - Conduit lead	25 - 24 Vac			
A0 - Nitrile, screen	'I' coils (12 & 24 volts only) weather/immersion proof (IP69)	11 - 110 Vac			
W0 - Viton, screen	IA - AMP superseal	23 - 250 Vac			
B1 - Nitrile, overr., non-detent	ID - Deutsch	Options - See page Coil-D			
V1 - Viton, overr., non-detent	IJ - AMP Jr. Timer				
B3 - Nitrile, screen, overr., non-detent	IM - Metripak				
V3 - Viton, screen, overr., non-detent	Options - See page Coil-D				
B4 - Nitrile, screen, overr., detent	Omit if coil is not required				
V4 - Viton, screen, overr., detent					

*Formerly DIN 43650 Hirschmann connector.