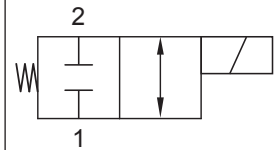


Up to 210 bar - 30 lpm


**Operation**

This is a solenoid operated 2 way normally closed spool valve. In the de-energised position the valve is closed at 1 and 2. When energised 1 and 2 are connected together. The valve can be used as a simple directional valve.

**Manual override options available.**

**Symbol**

**Features**

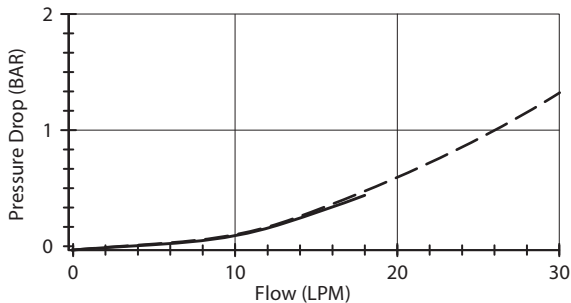
- Hardened parts for long life.
- Efficient wet-armature construction.
- Cartridges are voltage interchangeable.
- Industry common cavity.
- Unitised, molded coil design.
- Continuous duty rated solenoid.
- Optional coil voltages and terminations.
- Optional "I" Coil: Weatherproof, Thermal, Shock, Immersion Safe.



*For higher flows consult factory.*

**Performance**

32 cSt / 38°C.



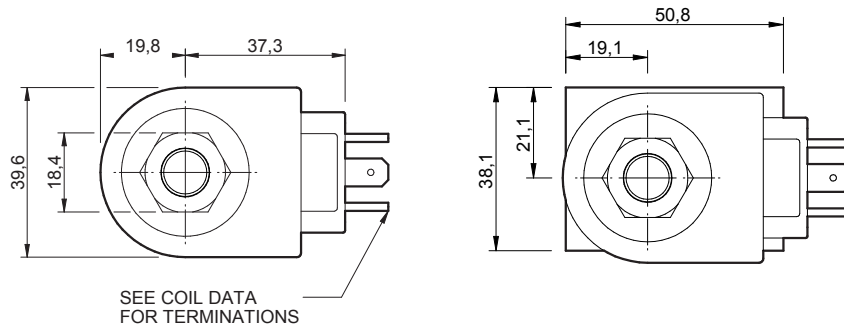
--- Port 1 to 2 (eng)    — Port 2 to 1 (eng)

**Specifications**

Max. Flow (lpm)	30 from 1 to 2    19 from 2 to 1
Max. pressure (bar)	210
Internal Leakage (32 cSt)	82 cc/min at 240 bar
Hydraulic oil	General purpose hydraulic fluid
Viscosity Range	3 to 640 cSt
Filtration	ISO 18/16/13
Operating temp.	-40 to 120°C
Voltage	DC / AC (see coil data page <b>Coil-D</b> )
Cartridge Torque	41 Nm
Coil Nut Torque	5 to 8 Nm
Cavity	DE10-2 (see cavity data page <b>DE10-2</b> )
Spare Seal Kit (Viton)	SK-DDEVHD
Weight - Cartridge only	0.12 kg
Weight - Cartridge + Coil	0.45 kg
Weight - Cartridge + Coil + Body	0.68 kg (alum)    1.10 kg (steel)

**Dimensions**

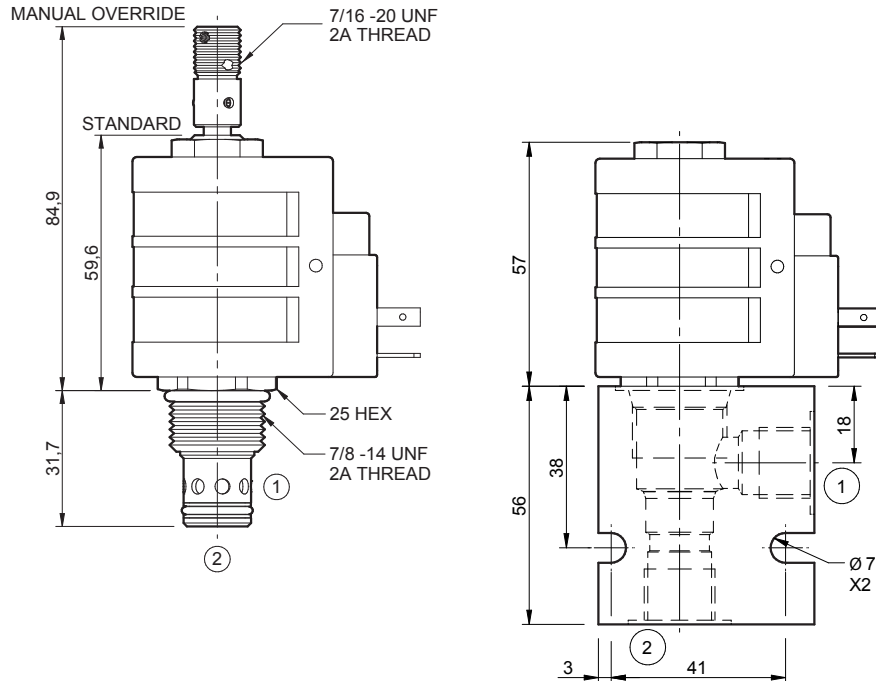
[mm]


**To Override**
**Detented Version**

Pull &amp; Twist

**Non-Detented Version**

Pull (spring return)


 Coils can be fitted in any orientation.

 Refer to data sheet **Coil-D** for coil options.

**Ordering Code**
**D-DES2G**

\*\* \*\* \*\* \* \* \*

Options	Coil termination	Voltage	Port size (BSP)	No. of ports	Body material
00 - Nitrile	DL - Double lead	12 - 12 Vdc	B - 3/8"	2 - 2 ports	A - Aluminium
V0 - Viton	DS - Double spade	24 - 24 Vdc	C - 1/2"	Options - See page B-DDE	S - Steel
0M - Nitrile, overr., detent	HC - EN 175301-803*	48 - 48 Vdc	Options - See page B-DDE		For pressures over 210 bar use steel.
VM - Viton, overr., detent	CL - Conduit lead	25 - 24 Vac			
A0 - Nitrile, screen	'I' coils (12 & 24 volts only) weather/immersion proof (IP69)	11 - 110 Vac			
W0 - Viton, screen	IA - AMP superseal	23 - 250 Vac			
B1 - Nitrile, overr., non-detent	ID - Deutsch	Options - See page Coil-D			
V1 - Viton, overr., non-detent	IJ - AMP Jr. Timer	Omit if coil is not required			
B3 - Nitrile, screen, overr., non-detent	IM - Metripak				
V3 - Viton, screen, overr., non-detent	Options - See page Coil-D				
B4 - Nitrile, screen, overr., detent					
V4 - Viton, screen, overr., detent					

\*Formerly DIN 43650 Hirschmann connector.