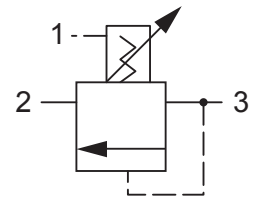


Up to 240 bar - 38 lpm

Symbol



Operation

The D-DFPCE with an external orifice in parallel with ports (3) and (1) maintains a constant flow rate across the external orifice, regardless of load pressure changes in the system upstream of (3), or in the bypass leg at (2) as long as pressure at (2) is greater than (1).

The valve's spool maintains a constant differential pressure across an external orifice, thereby regulating the hydraulic flow rate across this external orifice (see table for pressure ranges).

When used with an orifice as described above, it functions as a bypass type regulator, delivering pump flow through the external orifice.


Adjustment

Turn  to increase pressure.

Features

- Hardened parts for long life.
- Industry common cavity.

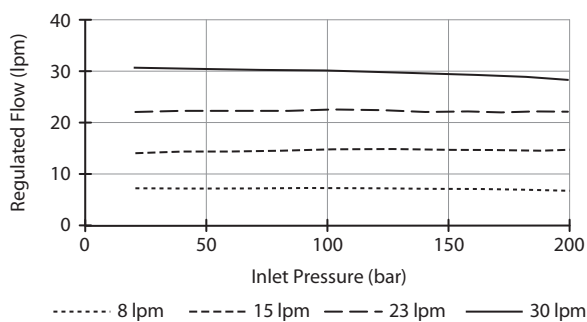
Can be used as an adjustable logic element.

 *Great as an adjustable pressure setting regulation device in brake, transmission & cooling systems, because the spring chamber is separately drained, the outlet can be used for lower pressure functions. For fixed version see D-DFPCR-0P.*

For higher spring differential pressure ranges consult factory.

Performance

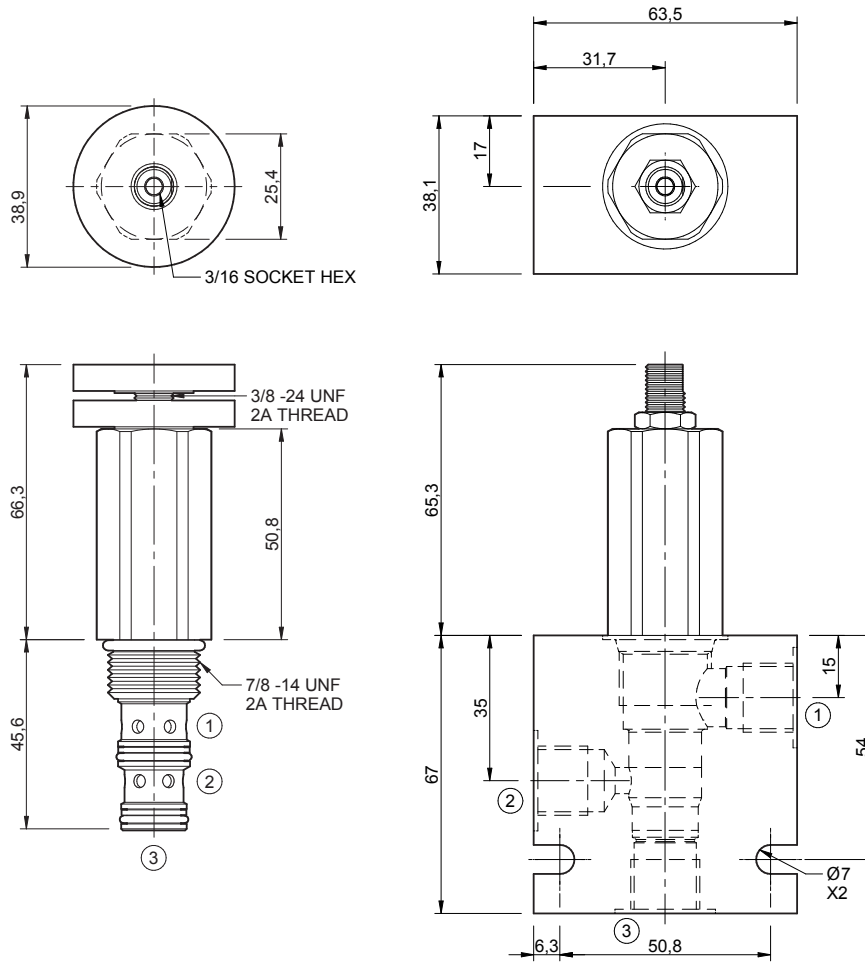
32 cSc / 38°C.



Specifications

Nom. Flow (lpm)	38
Max. Pressure (bar)	240
Hydraulic Oil	General purpose hydraulic fluid
Viscosity Range	3 to 640 cSt
Filtration	ISO 18/16/13
Operating Temp.	-40 to 120°C
Cartridge Torque	41 Nm
Cavity	DF10-3 (see cavity data page CAV-DF10-3)
Spare Seal Kit (Viton)	SK-DDFVHDD
Weight - Valve only	0.23 kg
Weight - Valve + Body	0.59 kg (alum) 1.26 kg (steel)

Dimensions
[mm]



Ordering Code

