

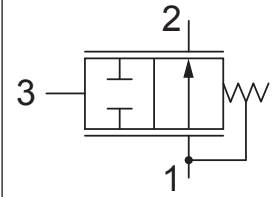


Up to 240 bar - 38 lpm

Operation

The D-DFPCS allows pressure compensated flow from (1) to (2) regulated by the pressure present at (3). The spring chamber is constantly vented at (1).

Symbol



Features

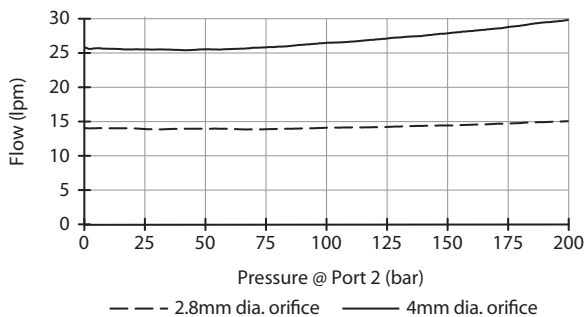
- Hardened parts for long life.
- Industry common cavity.



Pressure compensator for flow control, typically used with an external orifice inline with port (1). Port (3) should sense upstream pressure of orifice.

Performance

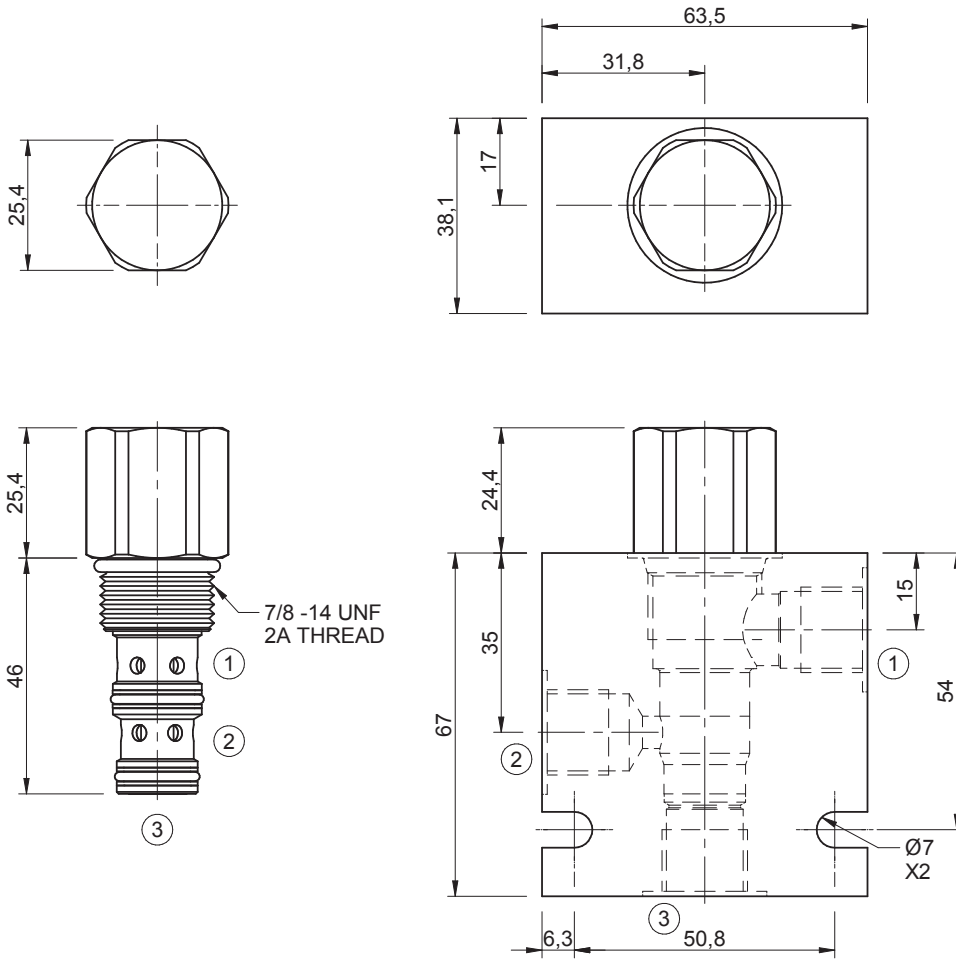
32 cSt / 38°C.



Specifications

Nom. Flow (lpm)	38
Max. Pressure (bar)	240
Internal Leakage (32 cSt)	82 cc/min per path
Hydraulic Oil	General purpose hydraulic fluid
Viscosity Range	3 to 640 cSt
Filtration	ISO 18/16/13
Operating Temp.	-40 to 120°C
Cartridge Torque	41 Nm
Cavity	DF10-3 (see cavity data page CAV-DF10-3)
Spare Seal Kit (Viton)	SK-DDFVHDD
Weight - Valve only	0.16 kg
Weight - Valve + Body	0.52 kg (alum) 1.19 kg (steel)

Dimensions
[mm]



Ordering Code

