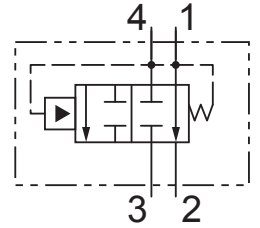




Up to 240 bar - 38 lpm

Symbol



Operation

The D-DGPCB allows pressure compensated or proportional flow from (1) to (2) regulated by the pressure differential across (1) and (4) with a bypass of (4) to (3).

The spring chamber is constantly connected at (1).

Features

- Hardened parts for long life.
- Industry common cavity.

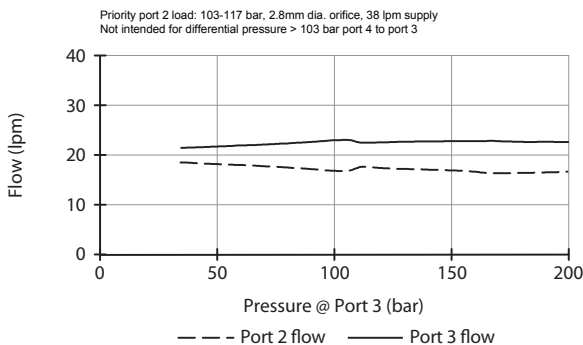
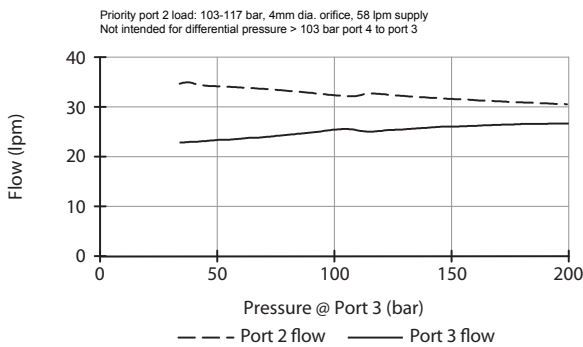
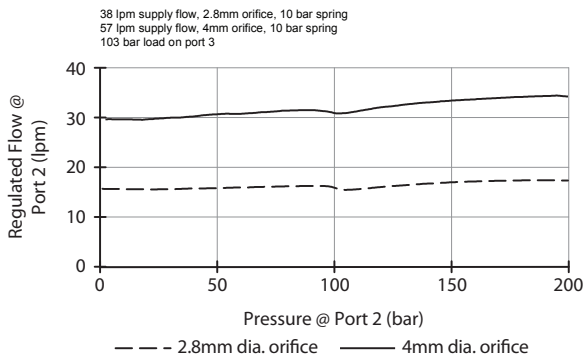


D-DGPCB is not intended for differential pressure more than 103 bar from (4) to (3).

Consult Factory for abrupt pressure change applications that exceed 103 bar, for alternative products.

Performance

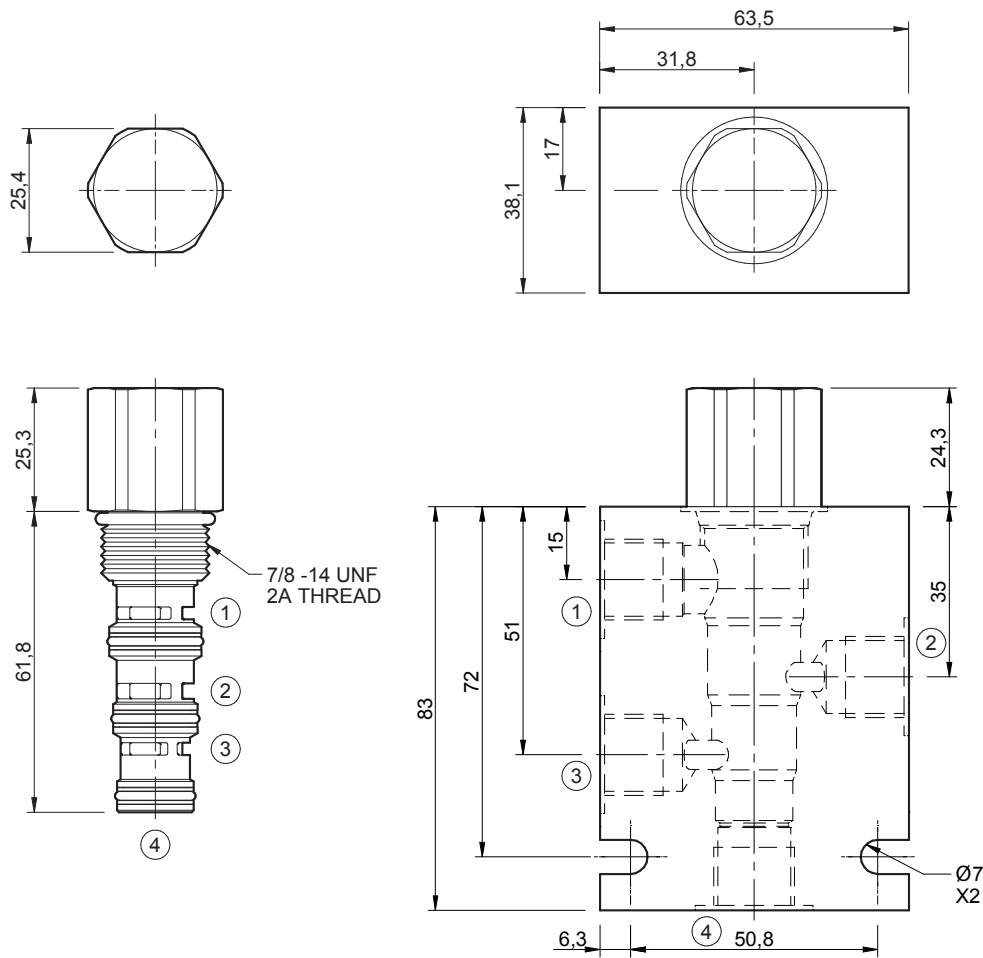
32 cSc / 38°C.



Specifications

Nom. Flow (lpm)	38
Max. Pressure (bar)	240
Internal Leakage (32 cSt)	82 cc/min per path
Hydraulic Oil	General purpose hydraulic fluid
Viscosity Range	3 to 640 cSt
Filtration	ISO 18/16/13
Operating Temp.	-40 to 120°C
Cartridge Torque	41 Nm
Cavity	DG10-4 (see cavity data page CAV-DG10-4)
Spare Seal Kit (Viton)	SK-DDGVHDDD
Weight - Valve only	0.17 kg
Weight - Valve + Body	0.63 kg (alum) 1.50 kg (steel)

Dimensions
[mm]



Ordering Code

