

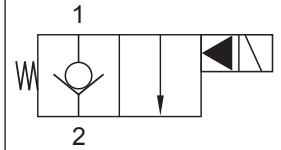
Up to 275 bar - 19 lpm


**Operation**

This is a solenoid operated 2 way normally closed poppet valve which is typically used to lock a load in position. When energised the poppet opens and releases the load from 1 to 2. De-energised the valve allows free flow from 2 to 1.

In the energised position it should be noted that 2 to 1 flow is restricted to only a pilot flow rate.

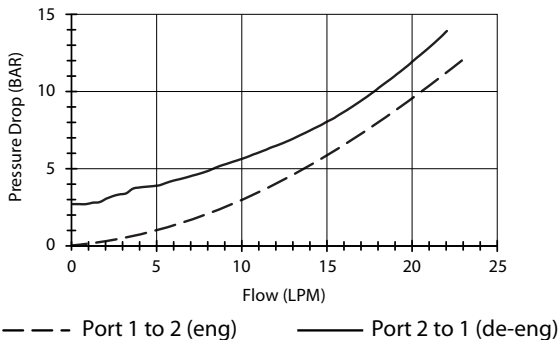
This valve can also be used as a directional valve.

**Symbol**

**Features**

- Hardened parts for long life.
- Efficient wet-armature construction.
- Cartridges are voltage interchangeable.
- Industry common cavity.
- Continuous duty rated solenoid.
- Optional coil voltages and terminations.

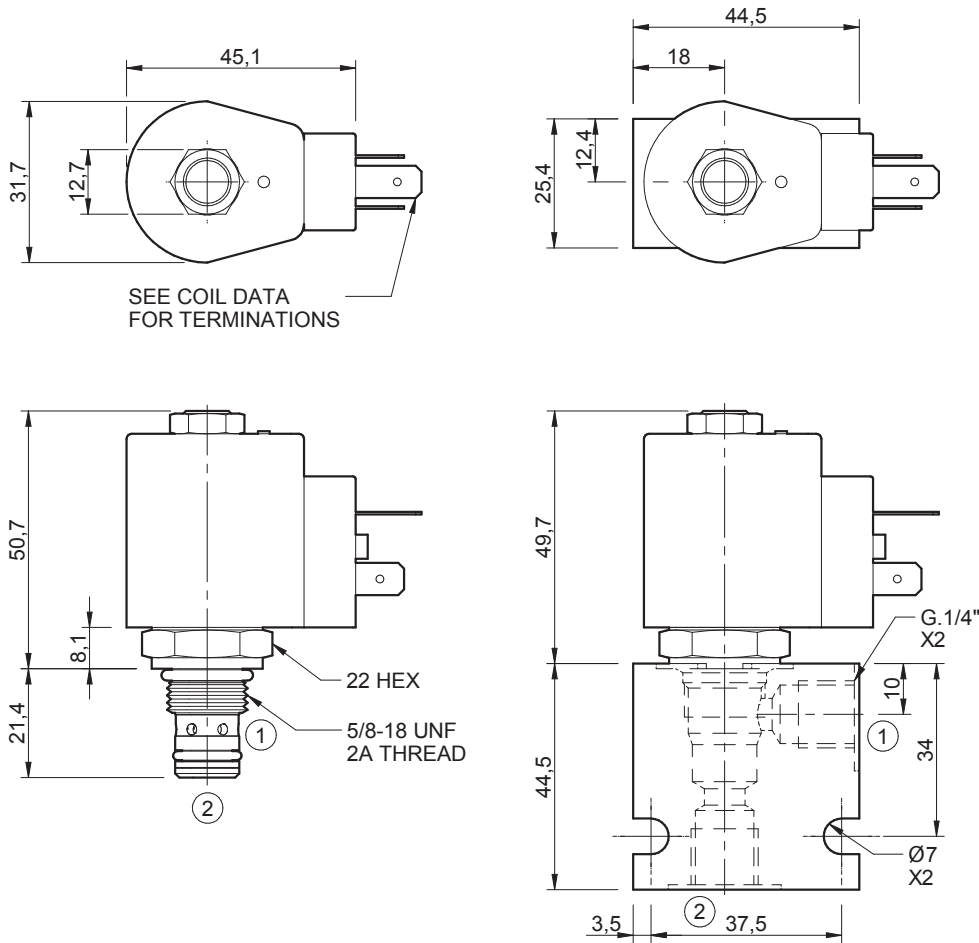
**Performance**

32 cSt / 38°C.


**Specifications**

|                                  |  |
|----------------------------------|--|
| Nom. Flow (lpm)                  | 19   |
| Max. pressure (bar)              | 275  |
| Internal Leakage (32 cSt)        | 0 to 0.25 cc/min                                 |
| Hydraulic oil                    | General purpose hydraulic fluid                  |
| Viscosity Range                  | 3 to 640 cSt                                     |
| Filtration                       | ISO 18/16/13                                     |
| Operating temp.                  | -40 to 120°C                                     |
| Voltage                          | DC / AC (see coil data page <b>Coil-M</b> )      |
| Cartridge Torque                 | 20 Nm  |
| Coil Nut Torque                  | 5 to 8 Nm  |
| Cavity                           | MA07-2 (see cavity data page <b>CAV-MA07-2</b> ) |
| Spare Seal Kit (Viton)           | SK-DMAVHA  |
| Weight - Cartridge only          | 0.06 kg  |
| Weight - Cartridge + Coil        | 0.20 kg  |
| Weight - Cartridge + Coil + Body | 0.34 kg (alum) 0.59 kg (steel)                   |

**Dimensions**  
[mm]



Coils can be fitted in any orientation.  
Refer to data sheet Coil-M for coil options.

**D-HAS2A**

|                |                                  |                                  |                                    |                                    |  |   |
|----------------|----------------------------------|----------------------------------|------------------------------------|------------------------------------|--|---|
|                | **                               | **                               | **                                 | *                                  | *  | * |
| <b>Options</b> | <b>Coil termination</b>          | <b>Voltage</b>                   | <b>Port size (BSP)</b>             | <b>No. of ports</b>                | <b>Body material</b>                         |   |
| 00 - Nitrile   | DL - Double lead                 | 06 - 06 Vdc                      | A - 1/4"                           | 2 - 2 ports                        | A - Aluminium                                |   |
| V0 - Viton     | DT - Deutsch on Leads DT04-2P    | 12 - 12 Vdc                      | <b>Options -</b><br>See page B-DMA | <b>Options -</b><br>See page B-DMA | S - Steel                                    |   |
|                | ML - Metric-Pack on Leads        | 24 - 24 Vdc                      |                                    |                                    | <b>For pressures over 210 bar use steel.</b> |   |
|                | PL - Packard on Leads            | 36 - 36 Vdc                      |                                    |                                    |  |   |
|                | WL - Weatherpack on Leads        | 48 - 48 Vdc                      |                                    |                                    |  |   |
|                | SS - Single spade                | 25 - 24 Vac                      |                                    |                                    |  |   |
|                | DS - Double spade                | 11 - 120 Vac                     |                                    |                                    |  |   |
|                | HC - EN 175301-803* (AC&DC)      | 22 - 220 Vac                     |                                    |                                    |  |   |
|                | CL - Conduit Lead - (AC Only)    | 44 - 440 Vac                     |                                    |                                    |  |   |
|                | <b>Options -</b> See page Coil-M | <b>Options -</b> See page Coil-M |                                    |                                    |  |   |
|                | Omit if coil is not required     |                                  |                                    |                                    |  |   |

\*Formerly DIN 43650 Hirschmann connector.