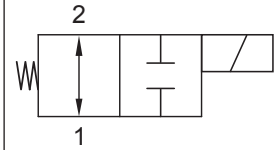


Up to 275 bar - 11 lpm


**Operation**

This is a solenoid operated 2 way normally open spool valve. In the de-energised position, 1 and 2 are connected. When energised 1 and 2 are closed.

The valve is typically used in hydraulic pump unloading applications or can be used as a simple directional control.

**Symbol**

**Features**

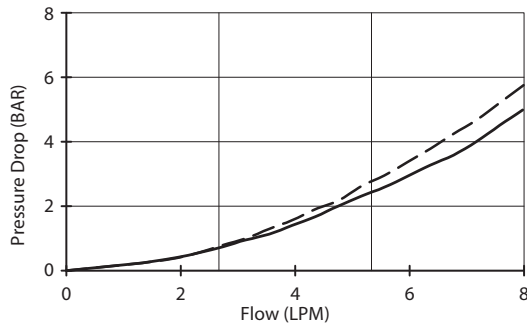
- Hardened parts for long life.
- Efficient wet-armature construction.
- Cartridges are voltage interchangeable.
- Industry common cavity.
- Unitised, molded coil design.
- Continuous duty rated solenoid.
- Optional coil voltages and terminations.



For higher flows consult factory.

**Performance**

32 cSt / 38°C.

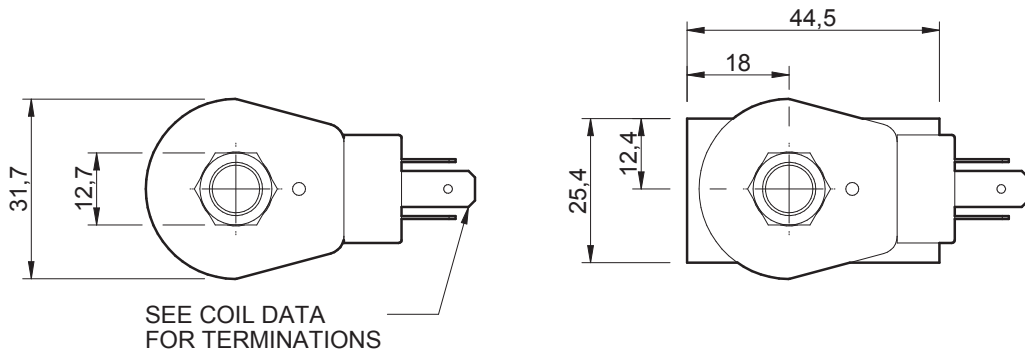


--- Port 1 to 2 (de-eng)    ——— Port 2 to 1 (de-eng)

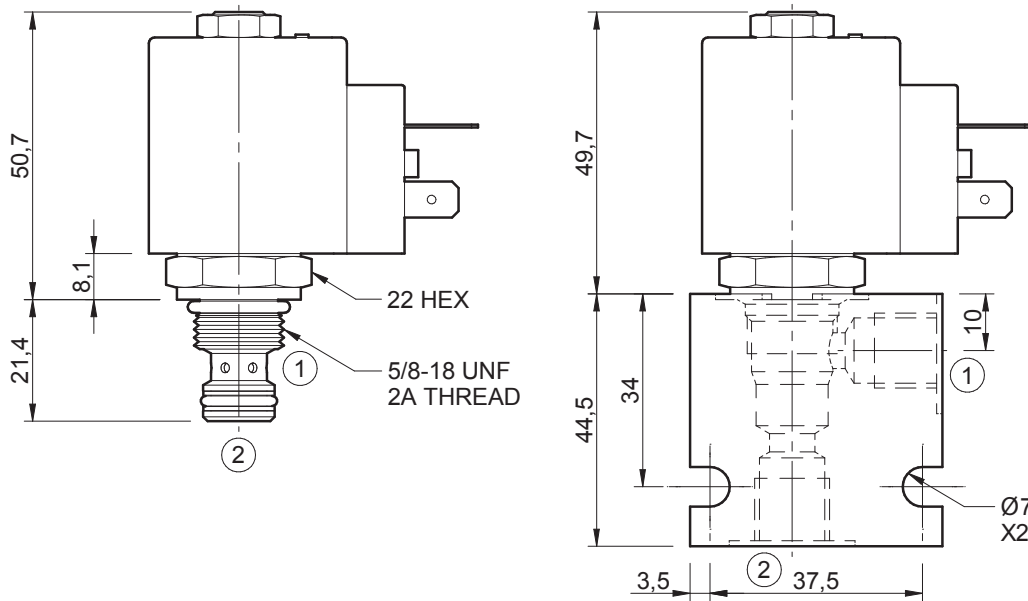
**Specifications**

Max. Flow (lpm)	8
Max. pressure (bar)	275
Internal Leakage (32 cSt)	131 cc/min at 210 bar
Hydraulic oil	General purpose hydraulic fluid
Viscosity Range	3 to 640 cSt
Filtration	ISO 18/16/13
Operating temp.	-40 to 120°C
Voltage	DC / AC (see coil data page <b>Coil-M</b> )
Cartridge Torque	20 Nm
Coil Nut Torque	4 to 7 Nm
Cavity	MA07-2 (see cavity data page <b>CAV-MA07-2</b> )
Spare Seal Kit (Viton)	SK-DMAVHA
Weight - Cartridge only	0.06 kg
Weight - Cartridge + Coil	0.20 kg
Weight - Cartridge + Coil + Body	0.34 kg (alum) 0.59 kg (steel)

**Dimensions**  
[mm]



Coils can be fitted in any orientation.  
Refer to data sheet Coil-M for coil options.



**Ordering Code**

**D-HAS2H**

Options	Coil termination	Voltage	Port size (BSP)	No. of ports	Body material
00 - Nitrile	DL - Double lead	06 - 6 Vdc	A - 1/4"	2 - 2 ports	A - Aluminium
V0 - Viton	DT - Deutsch on Leads DT04-2P	12 - 12 Vdc	Options - See page B-DMA	Options - See page B-DMA	S - Steel
	ML - Metric-Pack on Leads	24 - 24 Vdc			For pressures over 210 bar use steel.
	PL - Packard on Leads	36 - 36 Vdc			
	WL - Weatherpack on Leads	48 - 48 Vdc			
	SS - Single Spade	25 - 24 Vac			
	DS - Double Spade	11 - 120 Vac			
	HC - EN 175301-803* (AC&DC)	22 - 220 Vac			
	CL - Conduit Lead (AC Only)	44 - 440 Vac			
	Options - See page Coil-M	Options - See page Coil-M			
	Omit if coil is not required				

\*Formerly DIN 43650 Hirschmann connector.