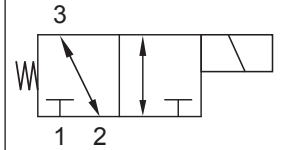


Up to 275 bar - 8 lpm

Symbol

Operation

This is a solenoid operated 3 way 2 position directional spool valve which can be used in a variety of ways to suit the desired control circuit.

Its compact size makes it ideal as a valve to pilot larger valves.

Features

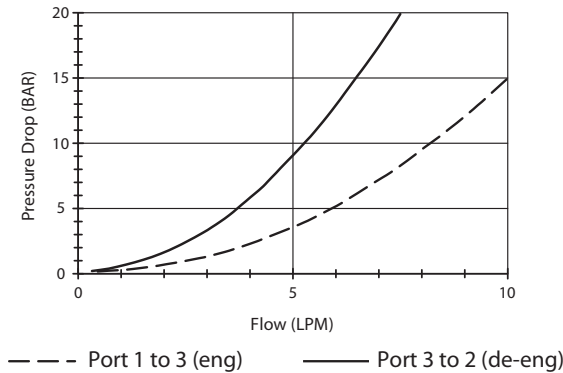
- Hardened parts for long life.
- Efficient wet-armature construction.
- Cartridges are voltage interchangeable.
- Industry common cavity.
- Unitised, molded coil design.
- Continuous duty rated solenoid.
- Optional coil voltages and terminations.



Flow limited at 6 lpm for flow at port (3)

Performance

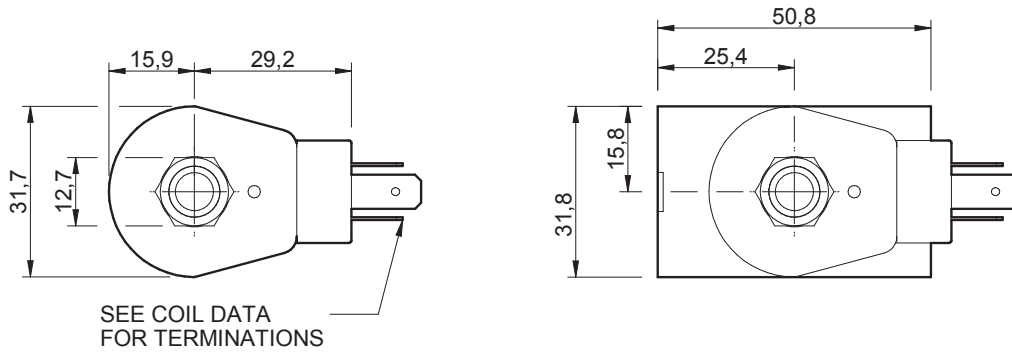
32 cSt / 38°C.


Specifications

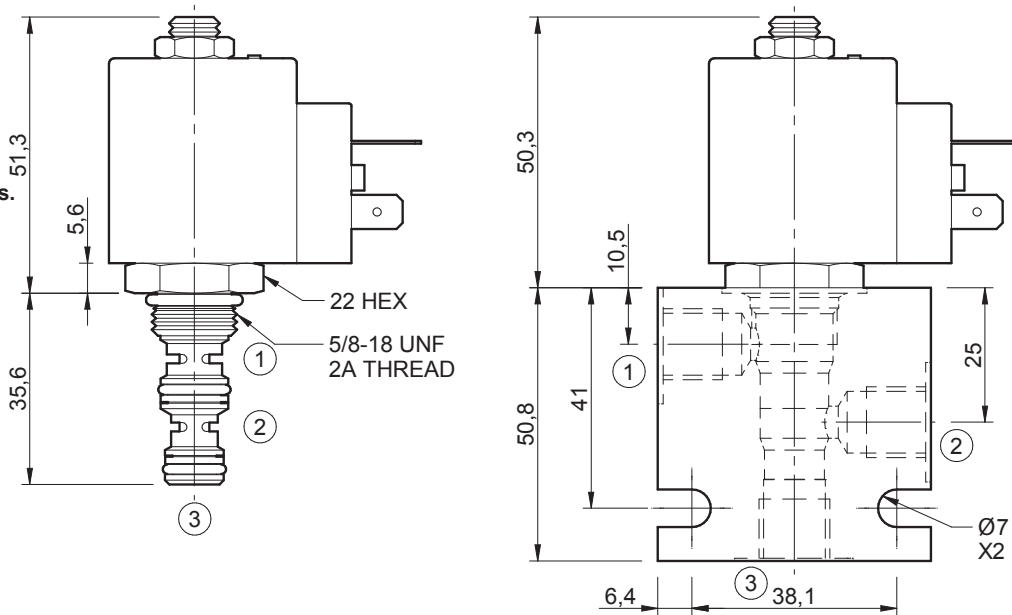
Nom. Flow (lpm)	8 lpm
Max. pressure (bar)	275
Internal Leakage (32 cSt)	131 cc/min
Hydraulic oil	General purpose hydraulic fluid
Viscosity Range	3 to 640 cSt
Filtration	ISO 18/16/13
Operating temp.	-40 to 120°C
Voltage	DC / AC (see coil data page Coil-M)
Cartridge Torque	20 Nm
Coil Nut Torque	4 to 7 Nm
Cavity	MC07-3 (see cavity data page CAV-MC07-3)
Spare Seal Kit (Viton)	SK-DMCVHAA
Weight - Cartridge only	0.07 kg
Weight - Cartridge + Coil	0.21 kg
Weight - Cartridge + Coil + Body	0.39 kg (alum) 0.74 kg (steel)

Dimensions

[mm]



Coils can be fitted in any orientation.
Refer to data sheet Coil-M for coil options.



Ordering Code

D-HCS3A

		**		**		**		*		*		*	
Options		Coil termination		Voltage		Port size (BSP)		No. of ports		Body material			
00 - Nitrile		DL - Double lead		06 - 6 Vdc		A - 1/4"		3 - 3 ports		A - Aluminium			
V0 - Viton		DT - Deutsch on Leads DT04-2P		12 - 12 Vdc		B - 3/8"		Options - See page B-DMC		S - Steel			
		ML - Metric-Pack on Leads		24 - 24 Vdc		Options - See page B-DMC							
		PL - Packard on Leads		36 - 36 Vdc									
		WL - Weatherpack on Leads		48 - 48 Vdc									
		SS - Single Spade		25 - 24 Vac									
		DS - Double Spade		11 - 120 Vac									
		HC - EN 175301-803* (AC&DC)		22 - 220 Vac									
		CL - Conduit Lead (AC Only)		44 - 440 Vac									
		Options - See page Coil-M		Options - See page Coil-M									
		Omit if coil is not required											

*Formerly DIN 43650 Hirschmann connector.