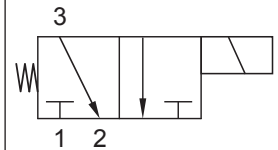




Up to 275 bar - 30 lpm

**Symbol**

**Operation**

When de-energized the HF-S3B allows flow from (3) to (2) and blocks flow at port (1). When energized the valve allows flow from (3) to (1) and blocks flow at port (2).

**Features**

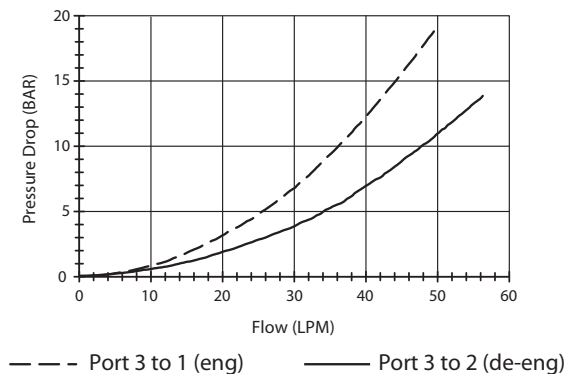
- Hardened parts for long life.
- Efficient wet-armature construction.
- Cartridges are voltage interchangeable.
- Industry common cavity.
- Unitised, molded coil design.
- Continuous duty rated solenoid.
- Optional coil voltages and terminations.
- Optional "I" Coil: Weatherproof, Thermal, Shock, Immersion Safe.



Uses "L" Coil.

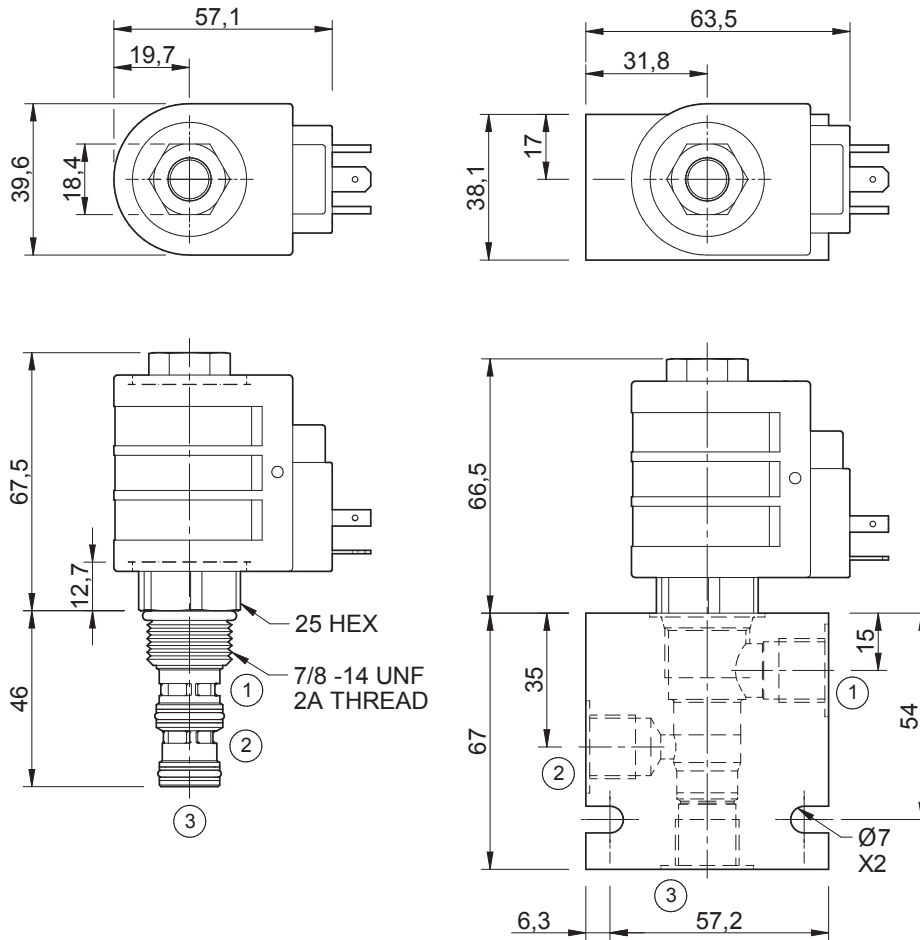
**Performance**

32 cSt / 38°C.


**Specifications**

Nom. Flow (lpm)	30
Max. pressure (bar)	275
Internal Leakage (32 cSt)	131 cc/min
Hydraulic oil	General purpose hydraulic fluid
Viscosity Range	3 to 640 cSt
Filtration	ISO 18/16/13
Operating temp.	-40 to 120°C
Voltage	DC / AC (see coil data page <b>Coil-L</b> )
Cartridge Torque	47 Nm
Coil Nut Torque	5 to 8 Nm
Cavity	DF10-3 (see cavity data page <b>CAV-DF10-3</b> )
Spare Seal Kit (Viton)	SK-DDFVDD
Weight - Cartridge only	0.16 kg
Weight - Cartridge + Coil	0.51 kg
Weight - Cartridge + Coil + Body	0.88 kg (alum) 1.57 kg (steel)

**Dimensions**  
[mm]



Coils can be fitted in **any** orientation.  
Refer to data sheet Coil-L for coil options.

**Ordering Code**

**D-HFS3B**

	**	**	**	*	*	*
<b>Options</b>						
00 - Nitrile						
V0 - Viton						
<b>Coil termination</b>						
DL - Double lead						
DT - Deutsch on Leads DT04-2P						
ML - Metric-Pack on Leads						
PL - Packard on Leads						
WL - Weatherpack on Leads						
SS - Single spade						
DS - Double spade						
HC - EN 175301-803* (AC&DC)						
CL - Conduit Lead - (AC Only)						
DI - Deutsch						
'I' coils (12 & 24 volts only) weather/immersion proof (IP69)						
IA - AMP superseal						
ID - Deutsch						
IJ - AMP Jr. Timer						
IM - Metripak						
Options - See page Coil-L						
Omit if coil is not required						
<b>Voltage</b>						
06 - 06 Vdc						
12 - 12 Vdc						
24 - 24 Vdc						
36 - 36 Vdc						
48 - 48 Vdc						
25 - 24 Vac						
11 - 120 Vac						
22 - 220 Vac						
44 - 440 Vac						
Options - See page Coil-L						
<b>Port size (BSP)</b>						
A - 1/4"						
B - 3/8"						
Options - See page B-DDF						
<b>No. of ports</b>						
3 - 3 ports						
Options - See page B-DDF						
<b>Body material</b>						
A - Aluminium						
S - Steel						

\*Formerly DIN 43650 Hirschmann connector.