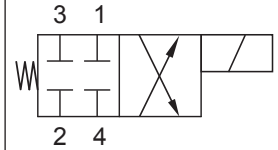


Up to 275 bar - 38 lpm

**Symbol**



**Operation**

This is a solenoid operated 4 way 2 position closed centre spool valve with all ports closed in the de-energised position. When de-energised the D-HGS4B blocks flow at all ports. When energised the valve allows flow from (2) to (1) and from (3) to (4).

**Manual override options available.**

**Features**

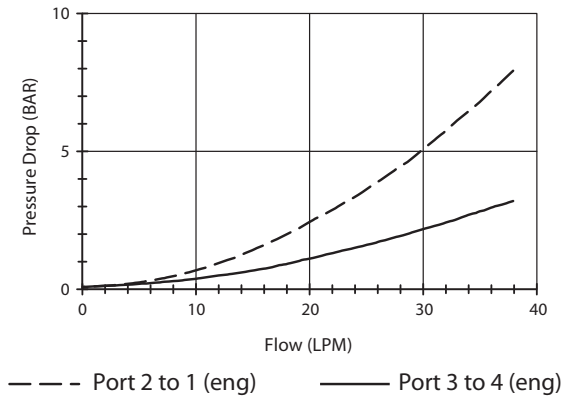
- Hardened parts for long life.
- Efficient wet-armature construction.
- Cartridges are voltage interchangeable.
- Industry common cavity.
- Unitised, molded coil design.
- Continuous duty rated solenoid.
- Optional coil voltages and terminations.
- Optional "I" Coil: Weatherproof, Thermal, Shock, Immersion Safe.



Uses "L" Coil.  
For higher flows consult factory.

**Performance**

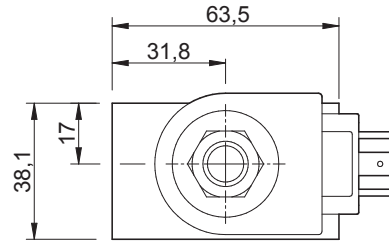
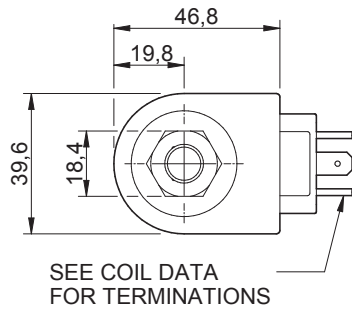
32 cSt / 38°C.



**Specifications**

Max. Flow (lpm)	38
Max. pressure (bar)	275
Internal Leakage (32 cSt)	164 cc/min per path
Hydraulic oil	General purpose hydraulic fluid
Viscosity Range	3 to 640 cSt
Filtration	ISO 18/16/13
Operating temp.	-40 to 120°C
Voltage	DC / AC (see coil data page <b>Coil-L</b> )
Cartridge Torque	47 Nm
Coil Nut Torque	5 to 8 Nm
Cavity	DG10-4 (see cavity data page <b>CAV-DG10-4</b> )
Seal Kit (Viton)	SK-DDGVHDDD
Weight - Cartridge only	0.20 kg
Weight - Cartridge + Coil	0.53 kg
Weight - Cartridge + Coil + Body	1.01 kg (alum) 1.86 kg (steel)

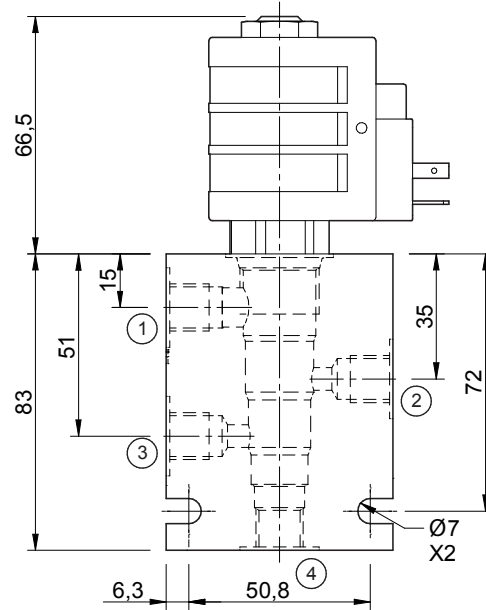
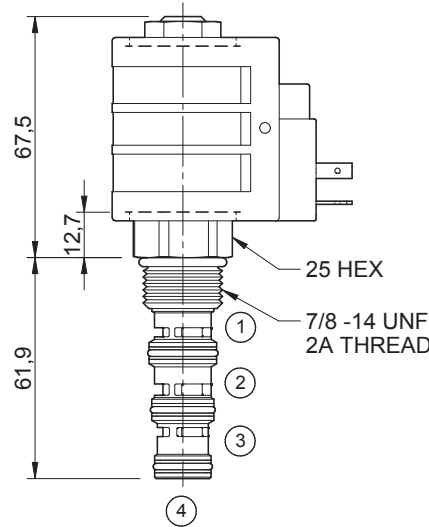
**Dimensions**  
[mm]



SEE COIL DATA FOR TERMINATIONS

Coils can be fitted in **any** orientation.

Refer to data sheet Coil-L for coil options.



**Ordering Code**

**D-HGS4B**

	**	**	**	*	*	*
<b>Options</b>						
00 - Nitrile						
V0 - Viton						
<b>Coil termination</b>						
DL - Double lead						
DT - Deutsch on Leads DT04-2P						
ML - Metric-Pack on Leads						
PL - Packard on Leads						
WL - Weatherpack on Leads						
SS - Single spade						
DS - Double spade						
HC - EN 175301-803* (AC&DC)						
CL - Conduit Lead - (AC Only)						
DI - Deutsch						
'I' coils (12 & 24 volts only) weather/immersion proof (IP69)						
IA - AMP superseal						
ID - Deutsch						
IJ - AMP Jr. Timer						
IM - Metripak						
Options - See page Coil-L						
Omit if coil is not required						
<b>Voltage</b>						
06 - 06 Vdc						
12 - 12 Vdc						
24 - 24 Vdc						
36 - 36 Vdc						
48 - 48 Vdc						
25 - 24 Vac						
11 - 120 Vac						
22 - 220 Vac						
44 - 440 Vac						
Options - See page Coil-L						
<b>Port size (BSP)</b>						
A - 1/4"						
B - 3/8"						
Options - See page B-DDG						
<b>No. of ports</b>						
4 - 4 ports						
Options - See page B-DDG						
<b>Body material</b>						
A - Aluminium						
S - Steel						
For pressures over 210 bar use steel.						

\*Formerly DIN 43650 Hirschmann connector.