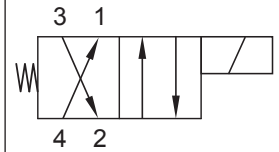


Up to 275 bar - 30 lpm

Symbol



Operation

When de-energised the D-HGS4D allows flow from (4) to (1) and from (3) to (2). When energised the valve allows flow from (4) to (3) and from (1) to (2).

Features

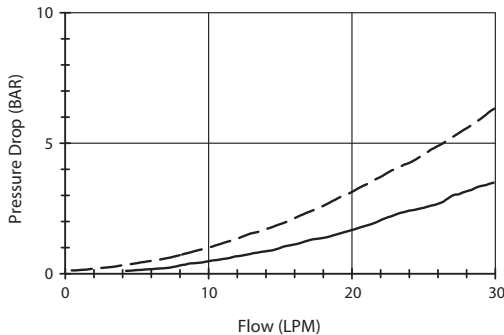
- Hardened parts for long life.
- Efficient wet-armature construction.
- Cartridges are voltage interchangeable.
- Industry common cavity.
- Unitised, molded coil design.
- Continuous duty rated solenoid.
- Optional coil voltages and terminations.
- Optional "I" Coil: Weatherproof, Thermal, Shock, Immersion Safe.



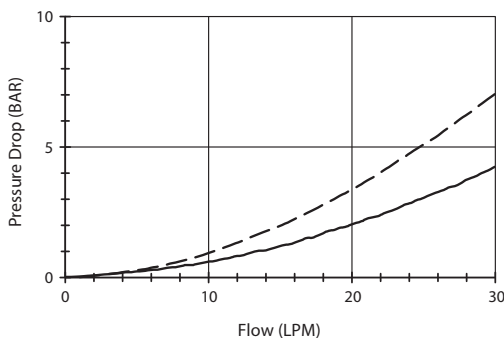
Uses "L" Coil.
For higher flows consult factory.

Performance

32 cSt / 38°C.



--- Port 3 to 2 (de-eng) — Port 4 to 1 (de-eng)

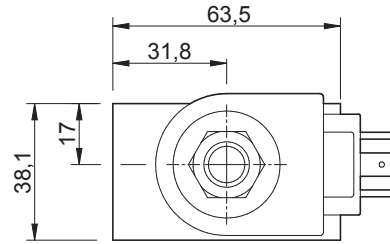
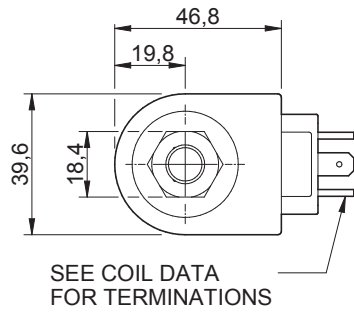


--- Port 1 to 2 (eng) — Port 4 to 3 (eng)

Specifications

Max. Flow (lpm)	30
Max. pressure (bar)	275
Internal Leakage (32 cSt)	164 cc/min per path
Hydraulic oil	General purpose hydraulic fluid
Viscosity Range	3 to 640 cSt
Filtration	ISO 18/16/13
Operating temp.	-40 to 120°C
Voltage	DC / AC (see coil data page Coil-L)
Cartridge Torque	47 Nm
Coil Nut Torque	5 to 8 Nm
Cavity	DG10-4 (see cavity data page CAV-DG10-4)
Seal Kit (Viton)	SK-DDGVHDDD
Weight - Cartridge only	0.20 kg
Weight - Cartridge + Coil	0.51 kg
Weight - Cartridge + Coil + Body	0.97 kg (alum) 1.84 kg (steel)

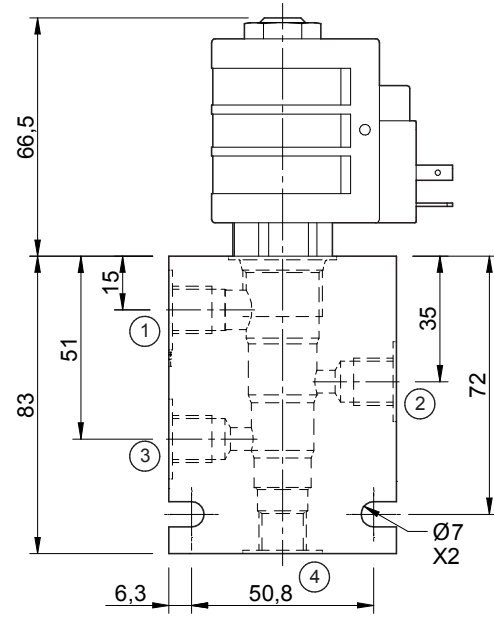
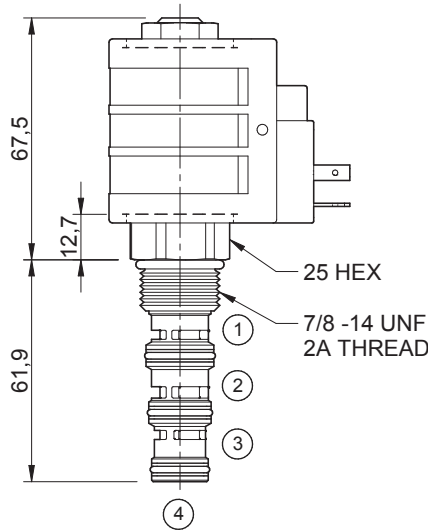
Dimensions
[mm]



SEE COIL DATA FOR TERMINATIONS

Coils can be fitted in **any** orientation.

Refer to data sheet Coil-L for coil options.



Ordering Code

D-HGS4D

	**	**	**	*	*	*
Options	Coil termination	Voltage	Port size (BSP)	No. of ports	Body material	
00 - Nitrile	DL - Double lead	06 - 06 Vdc	A - 1/4"	4 - 4 ports	A - Aluminium	
V0 - Viton	DT - Deutsch on Leads DT04-2P	12 - 12 Vdc	B - 3/8"	Options - See page B-DDG	S - Steel	
	ML - Metric-Pack on Leads	24 - 24 Vdc	Options - See page B-DDG		For pressures over 210 bar use steel.	
	PL - Packard on Leads	36 - 36 Vdc				
	WL - Weatherpack on Leads	48 - 48 Vdc				
	SS - Single spade	25 - 24 Vac				
	DS - Double spade	11 - 120 Vac				
	HC - EN 175301-803* (AC&DC)	22 - 220 Vac				
	CL - Conduit Lead - (AC Only)	44 - 440 Vac				
	DI - Deutsch	Options - See page Coil-L				
	'I' coils (12 & 24 volts only) weather/immersion proof (IP69)					
	IA - AMP superseal					
	ID - Deutsch					
	IJ - AMP Jr. Timer					
	IM - Metripak					
	Options - See page Coil-L					
	Omit if coil is not required					

*Formerly DIN 43650 Hirschmann connector.