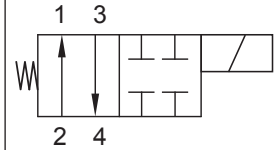


Up to 275 bar - 23 lpm

Operation

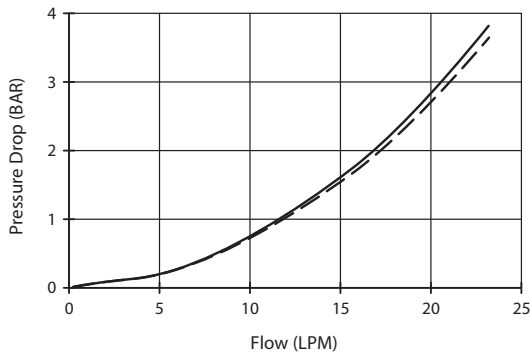
When de-energized the D-HGS4F allows flow from (2) to (1) and from (3) to (4). When energized the valve blocks flow at all ports.

Symbol

Features

- Hardened parts for long life.
- Efficient wet-armature construction.
- Cartridges are voltage interchangeable.
- Industry common cavity.
- Unitised, molded coil design.
- Continuous duty rated solenoid.
- Optional coil voltages and terminations.
- Optional "I" Coil: Weatherproof, Thermal, Shock, Immersion Safe.


Uses "L" Coil.
For higher flows consult factory.
Performance

32 cSt / 38°C.



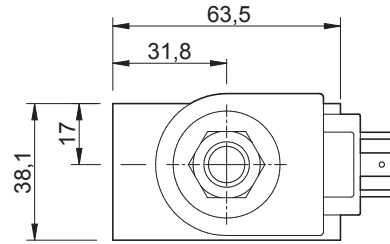
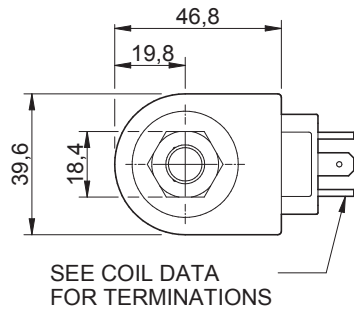
- - - Port 2 to 1 (de-eng) ——— Port 3 to 4 (de-eng)

Specifications

Max. Flow (lpm)	23
Max. pressure (bar)	275
Internal Leakage (32 cSt)	164 cc/min per path
Hydraulic oil	General purpose hydraulic fluid
Viscosity Range	3 to 640 cSt
Filtration	ISO 18/16/13
Operating temp.	-40 to 120°C
Voltage	DC / AC (see coil data page Coil-L)
Cartridge Torque	47 Nm
Coil Nut Torque	5 to 8 Nm
Cavity	DG10-4 (see cavity data page CAV-DG10-4)
Seal Kit (Viton)	SK-DDGVHDDD
Weight - Cartridge only	0.20 kg
Weight - Cartridge + Coil	0.51 kg
Weight - Cartridge + Coil + Body	0.97 kg (alum) 1.84 kg (steel)

Dimensions

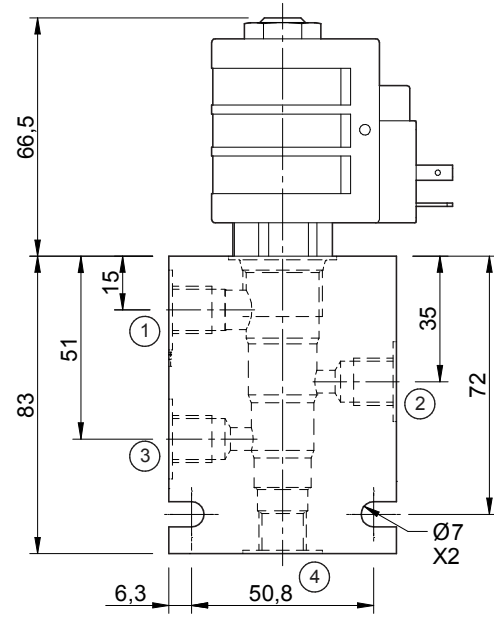
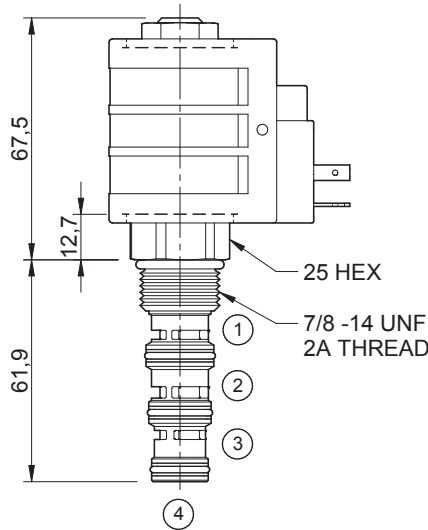
[mm]



SEE COIL DATA FOR TERMINATIONS

Coils can be fitted in **any** orientation.

Refer to data sheet Coil-L for coil options.



Ordering Code

D-HGS4F

	**	**	**	*	*	*	
Options	Coil termination	Voltage	Port size (BSP)	No. of ports	Body material		
00 - Nitrile	DL - Double lead	06 - 06 Vdc	A - 1/4"	4 - 4 ports	A - Aluminium		
V0 - Viton	DT - Deutsch on Leads DT04-2P	12 - 12 Vdc	B - 3/8"	Options - See page B-DDG	S - Steel		
	ML - Metric-Pack on Leads	24 - 24 Vdc	Options - See page B-DDG				
	PL - Packard on Leads	36 - 36 Vdc					
	WL - Weatherpack on Leads	48 - 48 Vdc					
	SS - Single spade	25 - 24 Vac					
	DS - Double spade	11 - 120 Vac					
	HC - EN 175301-803* (AC&DC)	22 - 220 Vac					
	CL - Conduit Lead - (AC Only)	44 - 440 Vac					
	DI - Deutsch	Options - See page Coil-L					
	'I' coils (12 & 24 volts only) weather/immersion proof (IP69)						
	IA - AMP superseal						
	ID - Deutsch						
	IJ - AMP Jr. Timer						
	IM - Metripak						
	Options - See page Coil-L						
	Omit if coil is not required						

*Formerly DIN 43650 Hirschmann connector.