

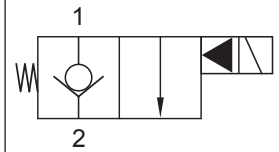
Up to 300 bar - 150 lpm


Operation

This is a solenoid operated 2 way normally closed poppet valve which is typically used to lock a load in position. When energised the poppet opens and releases the load from 1 to 2. De-energised the valve allows free flow from 2 to 1.

In the energised position it should be noted that 2 to 1 flow is restricted to only a pilot flow rate.

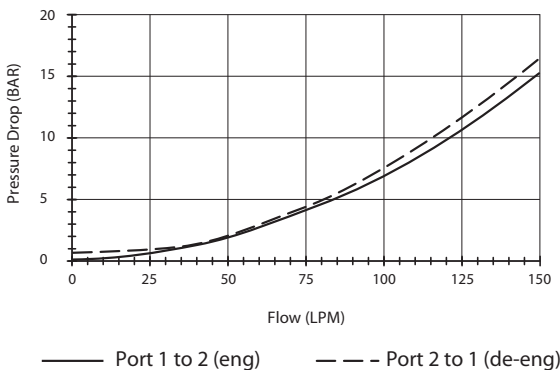
This valve can also be used as a directional valve.

Symbol

Features

- Hardened parts for long life.
- Efficient wet-armature construction.
- Cartridges are voltage interchangeable.
- Industry common cavity.
- Unitised, molded coil design.
- Continuous duty rated solenoid.
- Optional coil voltages and terminations.
- Optional "I" Coil: Weatherproof, Thermal, Shock, Immersion Safe.

Performance

32 cSt / 38°C.

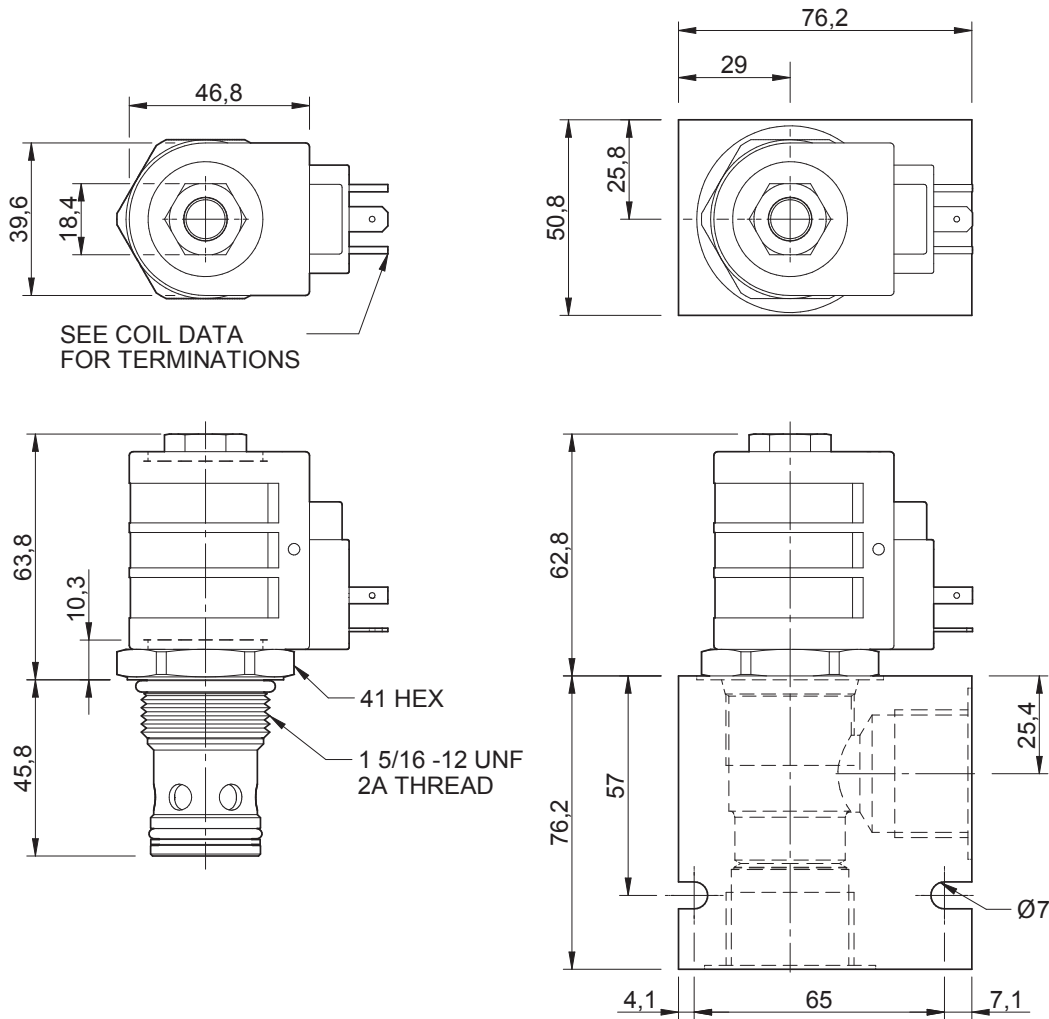

Specifications

Nom. Flow (lpm)	150
Max. pressure (bar)	300
Internal Leakage (32 cSt)	0 to 0.50 cc/min
Hydraulic oil	General purpose hydraulic fluid
Viscosity Range	3 to 640 cSt
Filtration	ISO 18/16/13
Operating temp.	-40 to 120°C
Voltage	DC / AC (see coil data page Coil-D)
Cartridge Torque	156 Nm
Coil Nut Torque	5 to 8 Nm
Cavity	SJ16-2 (see cavity data page CAV-SJ16-2)
Spare Seal Kit (Viton)	SK-DSJVHA
Weight - Cartridge only	0.32 kg
Weight - Cartridge + Coil	0.65 kg
Weight - Cartridge + Coil + Body	1.22 kg (alum) 2.28 kg (steel)

Energisation Chart

Solenoid	Flow Direction	
	1 → 2	2 → 1
De-energised	Load holding	Free flow
Energised	Free flow	Restricted flow

Dimensions
[mm]



SEE COIL DATA FOR TERMINATIONS

Coils can be fitted in **any** orientation.
Refer to data sheet Coil-D for coil options.

Ordering Code

D-HJS2A

Options	Coil termination	Voltage	Port size (BSP)	No. of ports	Body material
00 - Nitrile	DL - Double lead	06 - 6 Vdc	D - 3/4"	2 - 2 ports	A - Aluminium
V0 - Viton	DT - Deutsch on Leads DT04-2P	12 - 12 Vdc	E - 1"	Options - See page B-DSJ	S - Steel
	ML - Metric-Pack on Leads	24 - 24 Vdc	Options - See page B-DSJ		For pressures over 210 bar use steel.
	PL - Packard on Leads	36 - 36 Vdc			
	WL - Weatherpack on Leads	48 - 48 Vdc			
	SS - Single Spade	25 - 24 Vac			
	DS - Double Spade	11 - 120 Vac			
	HC - EN 175301-803* (AC&DC)	22 - 220 Vac			
	CL - Conduit Lead (AC Only)	44 - 440 Vac			
	DI - Deutsch - Integral	Options - See page Coil-D			
	Options - See page Coil-D				
	Omit if coil is not required				

*Formerly DIN 43650 Hirschmann connector.