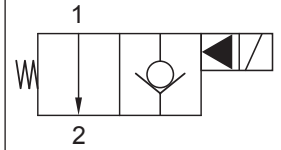


Up to 300 bar - 150 lpm


Operation

This is a solenoid operated 2 way normally open poppet valve. When de-energised flow goes from 1 to 2; energised, flow is blocked by a load holding poppet.

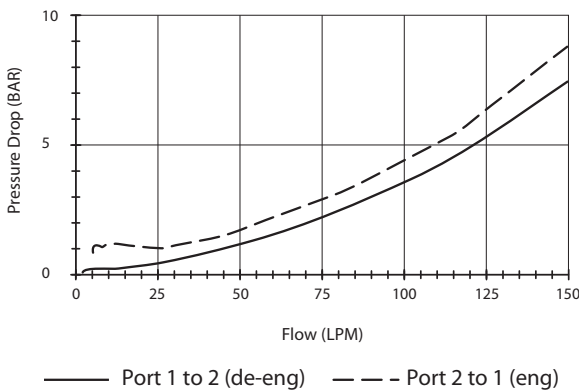
This valve is typically used as a solenoid operated dump valve.

Symbol

Features

- Hardened parts for long life.
- Efficient wet-armature construction.
- Cartridges are voltage interchangeable.
- Industry common cavity.
- Unitised, molded coil design.
- Continuous duty rated solenoid.
- Optional coil voltages and terminations.

Performance

32 cSt / 38°C.

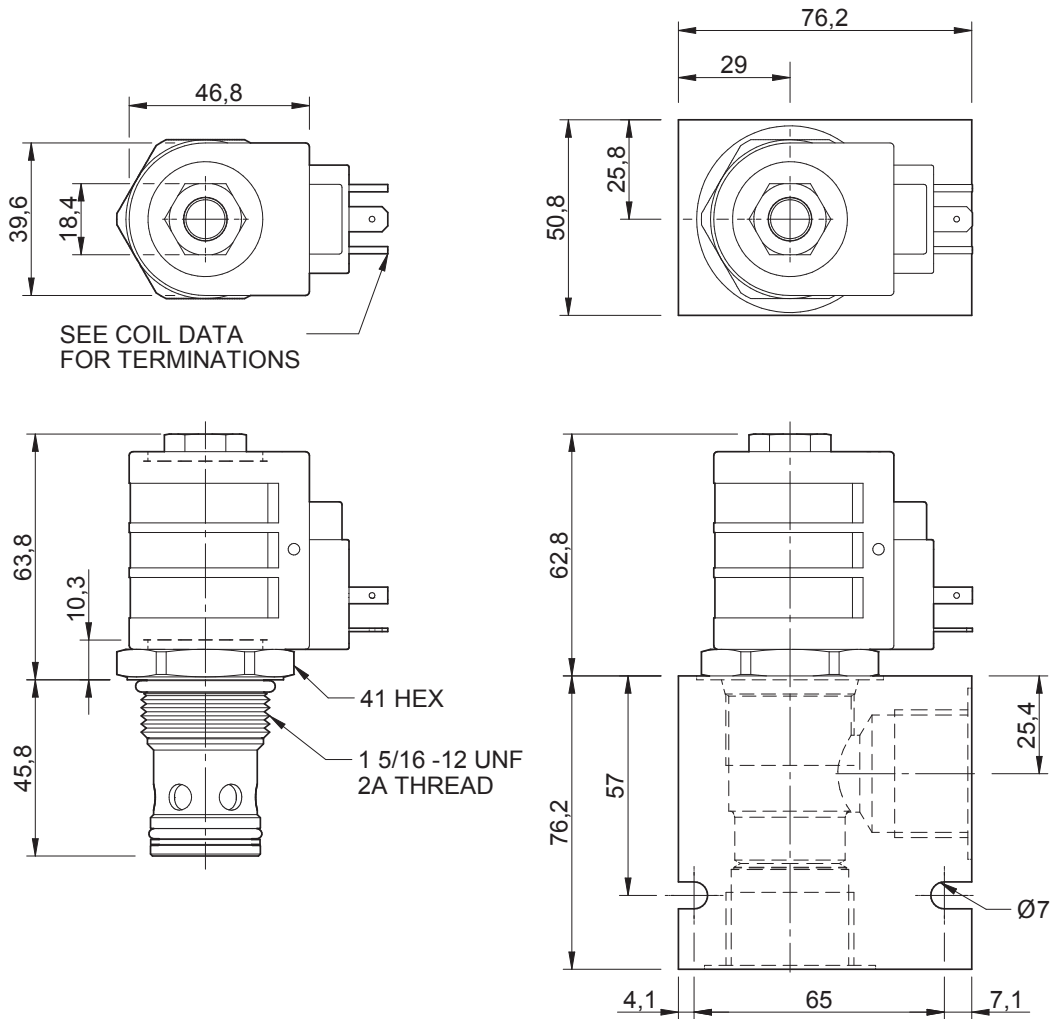

Specifications

| | |
|----------------------------------|--|
| Nom. Flow (lpm) | 150 |
| Max. pressure (bar) | 300 |
| Internal Leakage (32 cSt) | 0 to 0.50 cc/min |
| Hydraulic oil | General purpose hydraulic fluid |
| Viscosity Range | 3 to 640 cSt |
| Filtration | ISO 18/16/13 |
| Operating temp. | -40 to 120°C |
| Voltage | DC / AC (see coil data page Coil-D) |
| Cartridge Torque | 156 Nm |
| Coil Nut Torque | 5 to 8 Nm |
| Cavity | SJ16-2 (see cavity data page CAV-SJ16-2) |
| Spare Seal Kit (Viton) | SK-DSJVHA |
| Weight - Cartridge only | 0.33 kg |
| Weight - Cartridge + Coil | 0.66 kg |
| Weight - Cartridge + Coil + Body | 1.23 kg (alum) 2.29 kg (steel) |

Energisation Chart

| Solenoid | Flow Direction | |
|--------------|----------------|-----------------|
| | 1 → 2 | 2 → 1 |
| De-energised | Free flow | Restricted flow |
| Energised | Load holding | |

Dimensions
[mm]



Coils can be fitted in any orientation.
Refer to data sheet Coil-D for coil options.

Ordering Code

D-HJS2C

| | | | | | | |
|----------------|----------------------------------|-------------------------------------|------------------------------------|------------------------------------|--|---|
| | ** | ** | ** | * | * | * |
| Options | Coil termination | Voltage | Port size (BSP) | No. of ports | Body material | |
| 00 - Nitrile | DL - Double lead | 06 - 6 Vdc | D - 3/4" | 2 - 2 ports | A - Aluminium | |
| V0 - Viton | DT - Deutsch on Leads DT04-2P | 12 - 12 Vdc | E - 1" | Options - See page B-DSJ | S - Steel | |
| | ML - Metric-Pack on Leads | 24 - 24 Vdc | Options - See page B-DSJ | | For pressures over 210 bar use steel. | |
| | PL - Packard on Leads | 36 - 36 Vdc | | | | |
| | WL - Weatherpack on Leads | 48 - 48 Vdc | | | | |
| | SS - Single Spade | 25 - 24 Vac | | | | |
| | DS - Double Spade | 11 - 120 Vac | | | | |
| | HC - EN 175301-803* (AC&DC) | 22 - 220 Vac | | | | |
| | CL - Conduit Lead (AC Only) | 44 - 440 Vac | | | | |
| | DI - Deutsch - Integral | Options - See page Coil-D | | | | |
| | Options - See page Coil-D | | | | | |
| | Omit if coil is not required | | | | | |

*Formerly DIN 43650 Hirschmann connector.