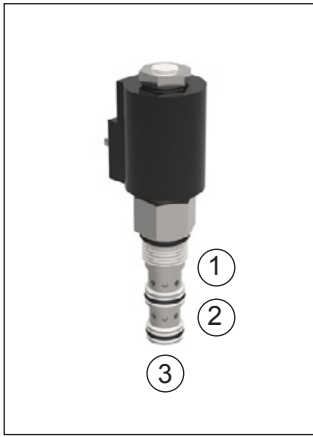


Solenoid Operated Valve.

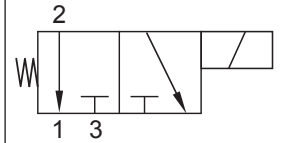
3 Way 2 Position Spool Valve - Porting Option 1 & 2 - Size 12

D-HUS3F



Up to 345 bar - 57 lpm

Symbol



Operation

This is a solenoid operated 3 way 2 position directional spool valve which can be used in a variety of ways to suit the desired control circuit.

This particular valve will accept pump flow at Port 1 or Port 2. If inlet flow requires to be blocked in the de-energised position (inlet at 3), valve D-HUS3E should be used.

The valve offers excellent low pressure drop characteristics.

Features

- Hardened parts for long life.
- Efficient wet-armature construction.
- Cartridges are voltage interchangeable.
- Industry common cavity.
- Unitised, molded coil design.
- Continuous duty rated solenoid.
- Optional coil voltages and terminations.

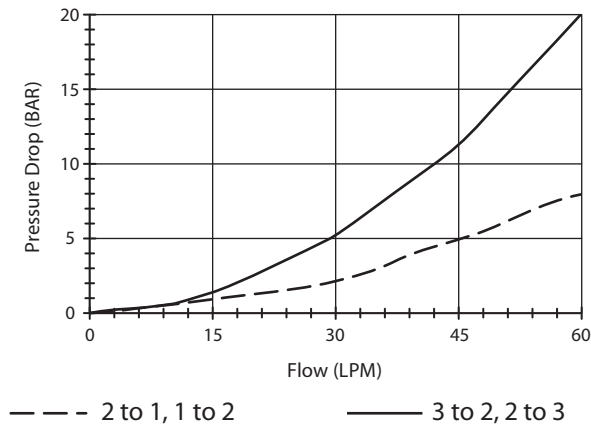


Recommended usage is inlet at port 1 or 2.

See D-HUS3E for port 3 inlet.

Performance

32 cSt / 38°C.

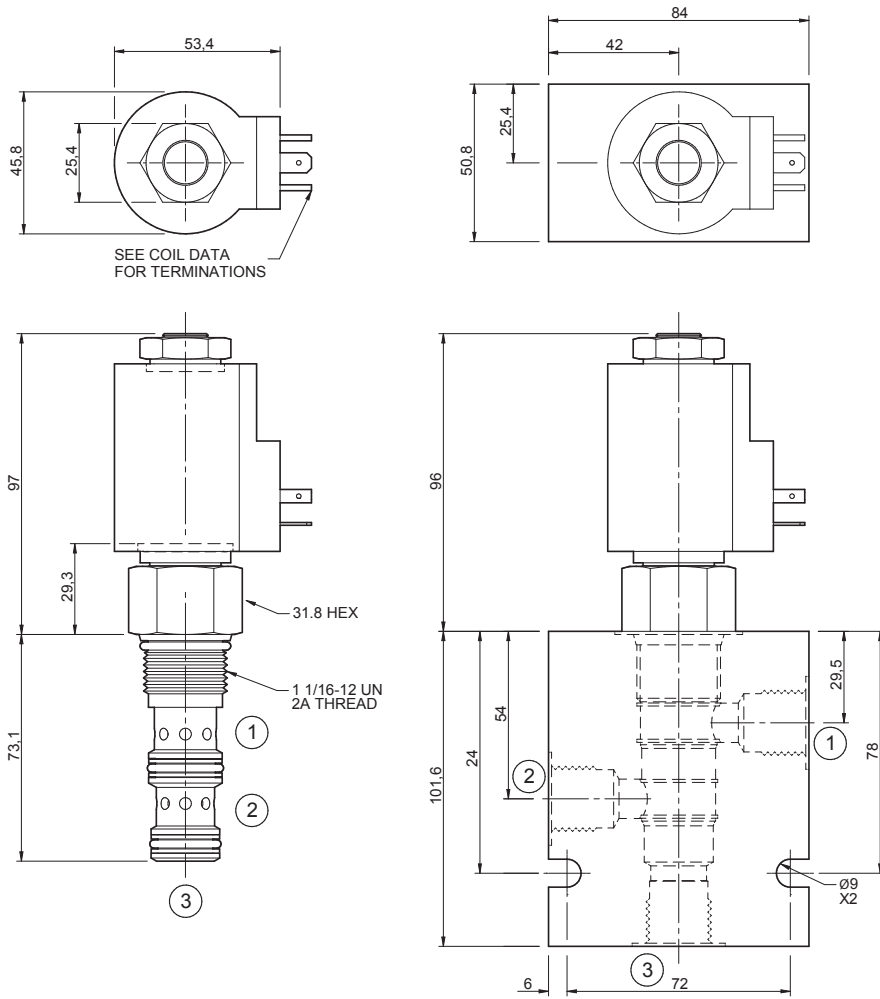


Specifications

Max. Flow (lpm)	57 lpm
Max. pressure (bar)	345
Internal Leakage (32 cSt)	131 cc/min at 345 bar
Hydraulic oil	General purpose hydraulic fluid
Viscosity Range	3 to 640 cSt
Filtration	ISO 18/16/13
Operating temp.	-40 to 120°C
Voltage	DC / AC (see coil data page Coil-T)
Cartridge Torque	95 Nm
Coil Nut Torque	7 to 10 Nm
Cavity	TU12-3 (see cavity data page CAV-TU12-3)
Spare Seal Kit (Viton)	SK-DHUVHBB
Weight - Cartridge only	0.46 kg
Weight - Cartridge + Coil	0.87 kg
Weight - Cartridge + Coil + Body	1.45 kg (alum) 2.53 kg (steel)

Dimensions

[mm]

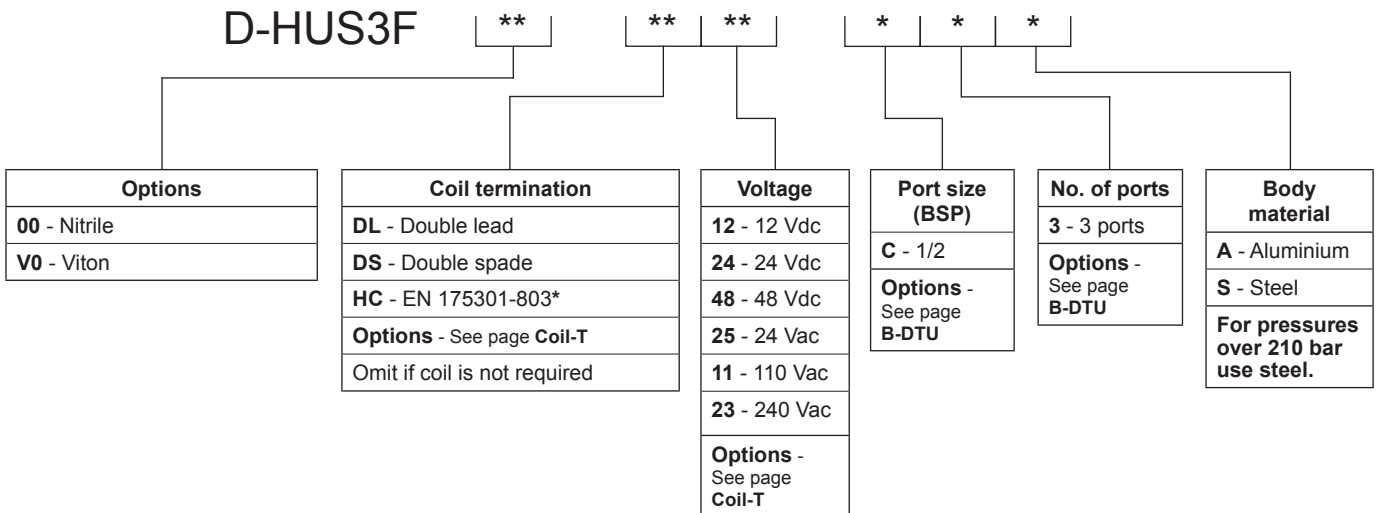


Coils can be fitted in any orientation.

Refer to data sheet Coil-T for coil options.

Ordering Code

D-HUS3F



*Formerly DIN 43650 Hirschmann connector.