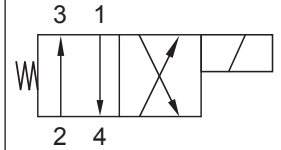


Up to 345 bar - 57 lpm

Operation

This is a solenoid operated 4 way 2 position side flow spool valve. It is typically used for controlling a single acting cylinder or hydraulic motor.

Symbol

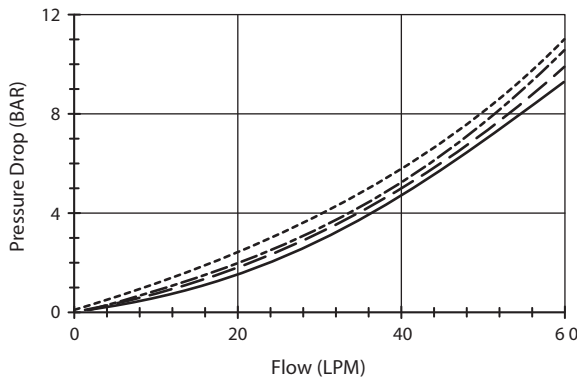


Features

- Hardened parts for long life.
- Efficient wet-armature construction.
- Cartridges are voltage interchangeable.
- Industry common cavity.
- Unitised, molded coil design.
- Continuous duty rated solenoid.
- Optional coil voltages and terminations.

Performance

32 cSt / 38°C.



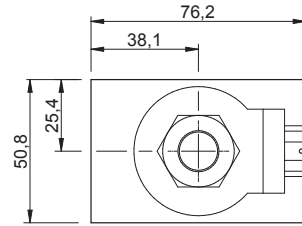
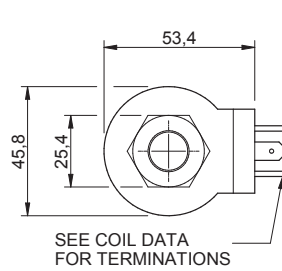
----- Port 1 to 4 - - - - - Port 2 to 3
- . - . - Port 3 to 4 ——— Port 2 to 1

Porting Options	Flow (LPM)
2	57
4	30

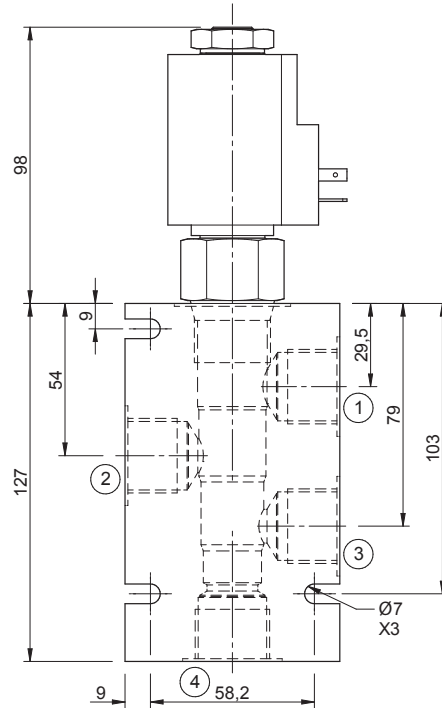
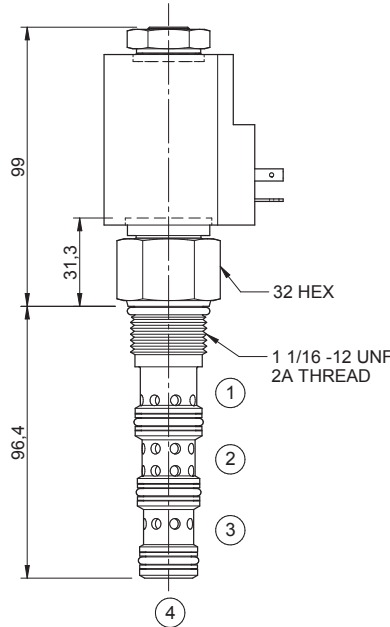
Specifications

Nom. Flow (lpm)	57
Max. pressure (bar)	345
Internal Leakage (32 cSt)	131 cc/min per path
Hydraulic oil	General purpose hydraulic fluid
Viscosity Range	3 to 640 cSt
Filtration	ISO 18/16/13
Operating temp.	-40 to 120°C
Voltage	DC / AC (see coil data page Coil-T)
Cartridge Torque	95 Nm
Coil Nut Torque	7 to 10 Nm
Cavity	TV12-4 (see cavity data page CAV-TV12-4)
Seal Kit	SK-DHVHDDDD
Weight - Cartridge only	0.48 kg
Weight - Cartridge + Coil	0.89 kg
Weight - Cartridge + Coil + Body	1.94 kg (alum) 3.92 kg (steel)

Dimensions
[mm]



Coils can be fitted in any orientation.
Refer to data sheet Coil-T for coil options.



Ordering Code

D-HVS4A — ****** — ****** ****** — ***** ***** *****

Options
00 - Nitrile
V0 - Viton

Coil termination
DL - Double lead
DS - Double spade
HC - EN 175301-803*
CL - Conduit lead
Options - See page Coil-T
Omit if coil is not required

Voltage
12 - 12 Vdc
24 - 24 Vdc
48 - 48 Vdc
25 - 24 Vac
11 - 110 Vac
23 - 240 Vac
Options - See page Coil-T

Port size (BSP)
D- 3/4"
Options - See page B-DHV

No. of ports
4 - 4 ports
Options - See page B-DHV

Body material
A - Aluminium
S - Steel
For pressures over 210 bar use steel.