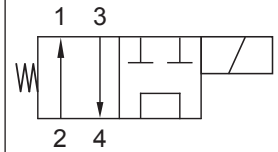


Up to 345 bar - 57 lpm

Symbol



Operation

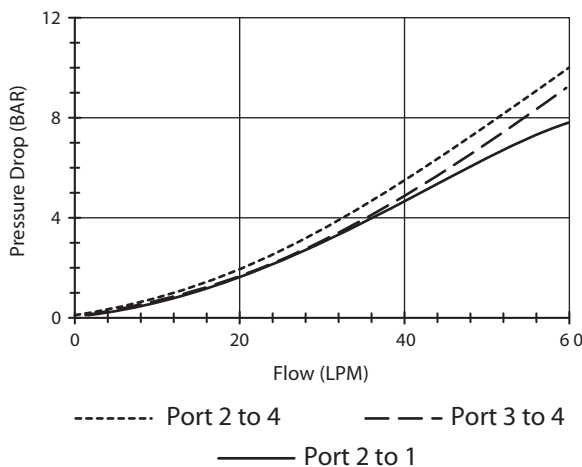
This is a solenoid operated 4 way 2 position directional spool valve. A typical use of this valve would be to provide series/parallel control of hydraulic motors.

Features

- Hardened parts for long life.
- Efficient wet-armature construction.
- Cartridges are voltage interchangeable.
- Industry common cavity.
- Unitised, molded coil design.
- Continuous duty rated solenoid.
- Optional coil voltages and terminations.

Performance

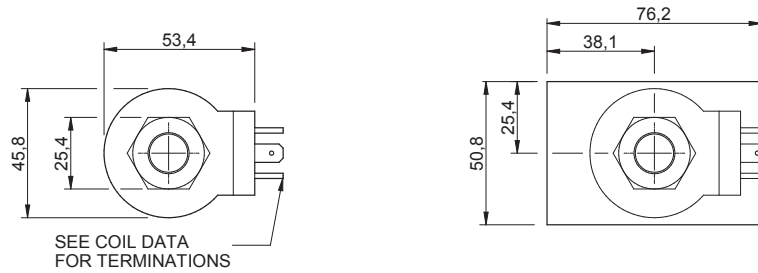
32 cSt / 38°C.



Specifications

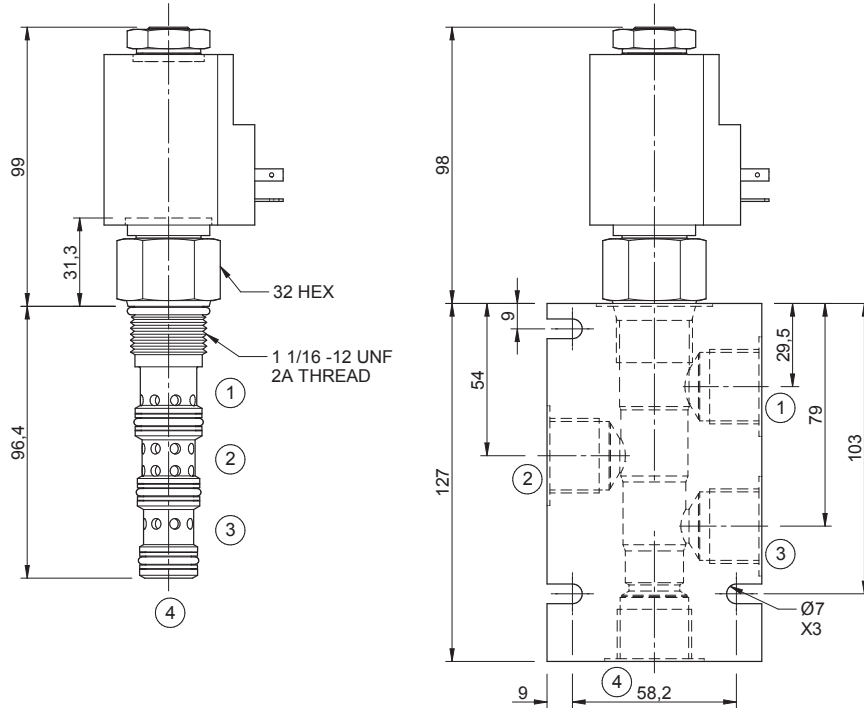
Nom. Flow (lpm)	57 lpm from (2) to (4) 30 lpm from (4) to (2)
Max. pressure (bar)	345
Internal Leakage (32 cSt)	131 cc/min per path
Hydraulic oil	General purpose hydraulic fluid
Viscosity Range	3 to 640 cSt
Filtration	ISO 18/16/13
Operating temp.	-40 to 120°C
Voltage	DC / AC (see coil data page Coil-T)
Cartridge Torque	95 Nm
Coil Nut Torque	7 to 9 Nm
Cavity	TV12-4 (see cavity data page CAV-TV12-4)
Seal Kit	SK-DHVVHDDD
Weight - Cartridge only	0.49 kg
Weight - Cartridge + Coil	0.90 kg
Weight - Cartridge + Coil + Body	1.95 kg (alum) 3.93 kg (steel)

Dimensions
[mm]



Coils can be fitted in any orientation.

Refer to data sheet
Coil-T for coil options.



Ordering Code

D-HVS4E — ****** — ****** ****** — ***** ***** *****

Options
00 - Nitrile
V0 - Viton

Coil termination
DL - Double lead
DS - Double spade
HC - EN 175301-803*
CL - Conduit lead
Options - See page Coil-T
Omit if coil is not required

Voltage
12 - 12 Vdc
24 - 24 Vdc
48 - 48 Vdc
25 - 24 Vac
11 - 110 Vac
23 - 240 Vac
Options - See page Coil-T

Port size (BSP)
D - 3/4"
Options - See page B-DHV

No. of ports
4 - 4 ports
Options - See page B-DHV

Body material
A - Aluminium
S - Steel

*Formerly DIN 43650 Hirschmann connector.