



Up to 210 bar - 19 lpm

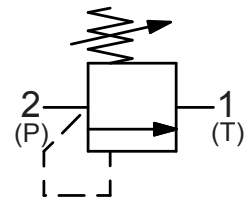
This is a direct-acting poppet type relief valve, typically used to provide relief protection in low and fixed flow circuits. It is fast acting and dirt tolerant with good hysteresis characteristics and is ideal for service line protection.

Operation

The D-MARVA blocks flow from (2) to (1) until sufficient pressure is present at (2) to force the poppet to open and allow metered flow from (2) to (1).

The cartridge offers smooth transition in response to load changes in common hydraulic circuits.

Symbol



Adjustment

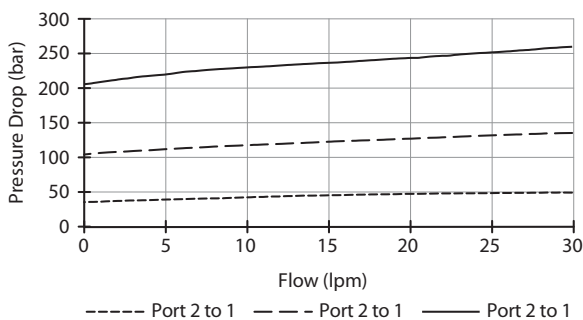
Turn  to increase pressure.

Features

- Hardened parts for long life.
- Industry common cavity.

Performance

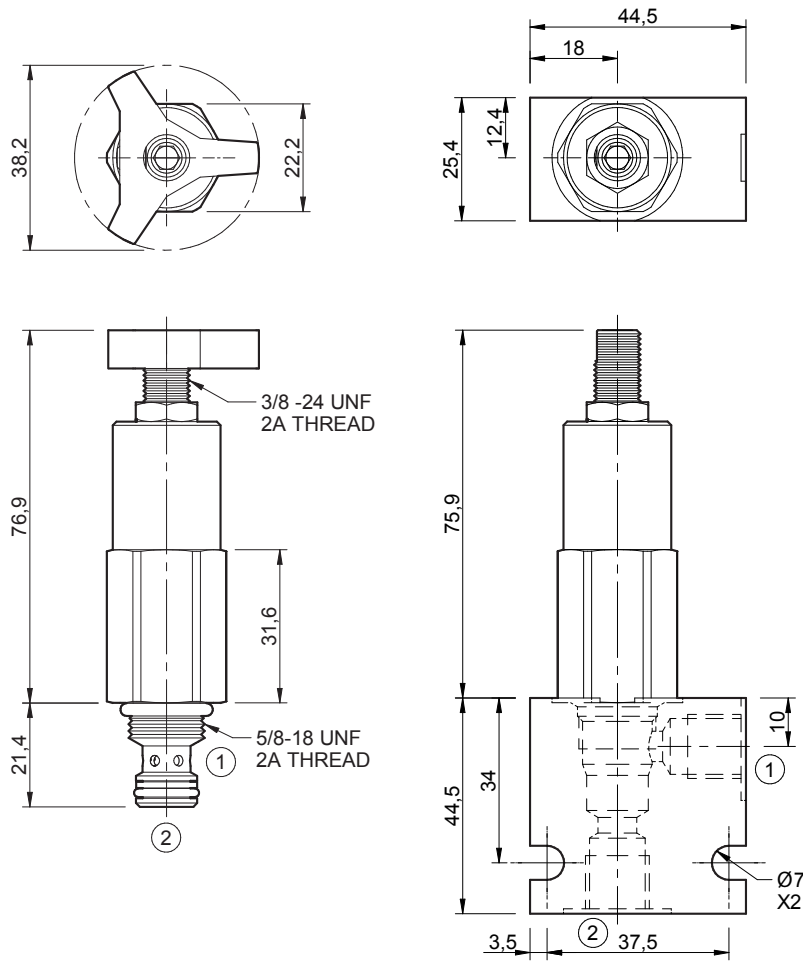
32 cSc / 38°C.



Specifications

Nom. Flow (lpm)	19
Max. Pressure (bar)	210
Hydraulic Oil	General purpose hydraulic fluid
Viscosity Range	3 to 640 cSt
Filtration	ISO 18/16/13
Operating Temp.	-40 to 120°C
Cartridge Torque	20 Nm
Cavity	MA07-2 (see cavity data page CAV-MA07-2)
Spare Seal Kit (Viton)	SK-DMAVHA
Weight - Valve only	0.17 kg
Weight - Valve + Body	0.28 kg (alum) 0.49 kg (steel)

Dimensions
[mm]



Ordering Code

