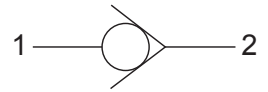


Up to 240 bar - 20 lpm

**Operation**

The D-PBCVS allows free flow passage from (2) to (1), and blocks flow from (1) to (2).

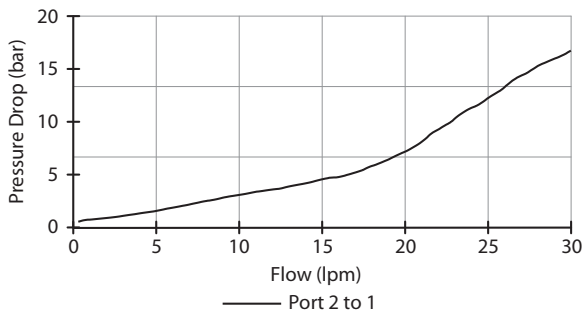
The cartridge has a fully guided poppet, which is spring-biased closed, until sufficient pressure is applied at (2) to open to (1).

**Symbol**

**Features**

- Soft seat for ultra low leakage.
- Industry common cavity.
- Optional bias springs for backpressure application flexibility.
- Fully guided poppet

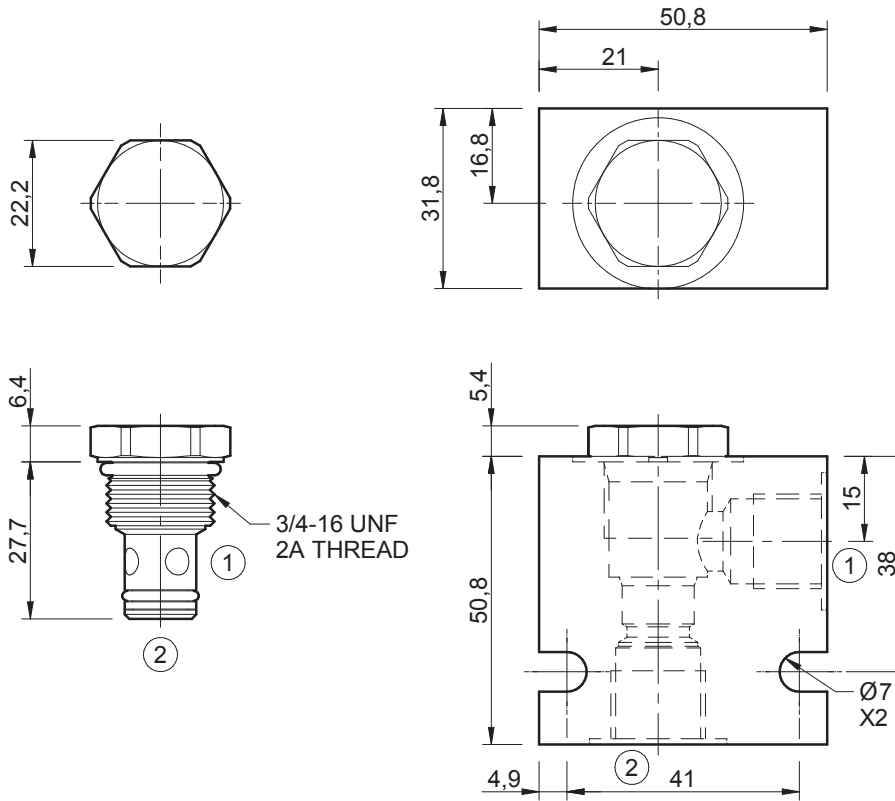
**Performance**

32 cSc / 38°C.


**Specifications**

Nom. Flow (lpm)	20
Max. Pressure (bar)	240
Internal Leakage (32 cSt)	Negligible
Hydraulic Oil	General purpose hydraulic fluid
Viscosity Range	3 to 640 cSt
Filtration	ISO 18/16/13
Operating Temp.	0 to 49°C
Cartridge Torque	34 Nm
Cavity	PB08-2 (see cavity data page <b>CAV-PB08-2</b> )
Spare Seal Kit (Viton)	SK-DPBVHA
Weight - Valve only	0.04 kg
Weight - Valve + Body	0.22 kg (alum) 0.55 kg (steel)

**Dimensions**  
[mm]



**Ordering Code**

