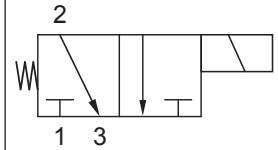




Up to 210 bar - 11 lpm

Symbol

Operation

This is a solenoid operated 3 way 2 position directional spool valve which can be used in low flow circuits or used to pilot large logic or directional valves.

Manual override options available.

Features

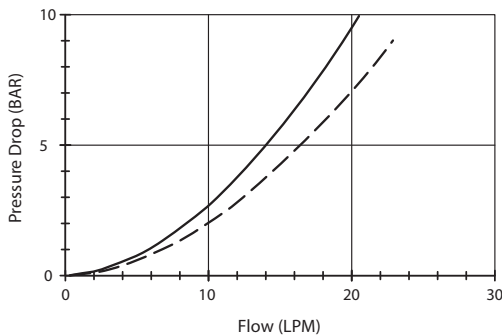
- Hardened parts for long life.
- Efficient wet-armature construction.
- Cartridges are voltage interchangeable.
- Industry common cavity.
- Unitised, molded coil design.
- Continuous duty rated solenoid.
- Optional coil voltages and terminations.
- Optional "I" Coil: Weatherproof, Thermal, Shock, Immersion Safe.



Operation shift limit 11 lpm from port 2. Not recommended for port 3 inlet cavity. For shifted flow performance consult chart.

Performance

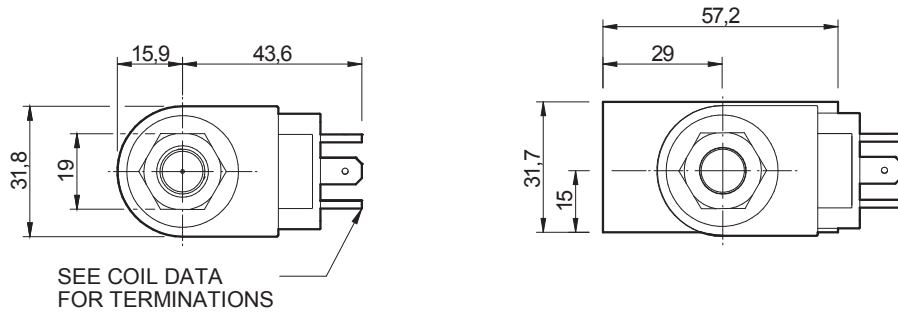
32 cSt / 38°C.


Specifications

Nom. Flow (lpm)	11
Max. pressure (bar)	210
Internal Leakage (32 cST)	82 cc/min at 210 bar
Hydraulic oil	General purpose hydraulic fluid
Viscosity Range	3 to 640 cSt
Filtration	ISO 18/16/13
Operating temp.	-40 to 120°C
Voltage	DC / AC (see coil data page Coil-P)
Cartridge Torque	34 Nm
Coil Nut Torque	5 to 8 Nm
Cavity	PP08-3 (see cavity data page CAV-PP08-3)
Seal Kit	SK-DPPVHDD
Weight - Cartridge only	0.10 kg
Weight - Cartridge + Coil	0.29 kg
Weight - Cartridge + Coil + Body	0.55 kg (alum) 1.04 kg (steel)

Dimensions

[mm]



SEE COIL DATA FOR TERMINATIONS

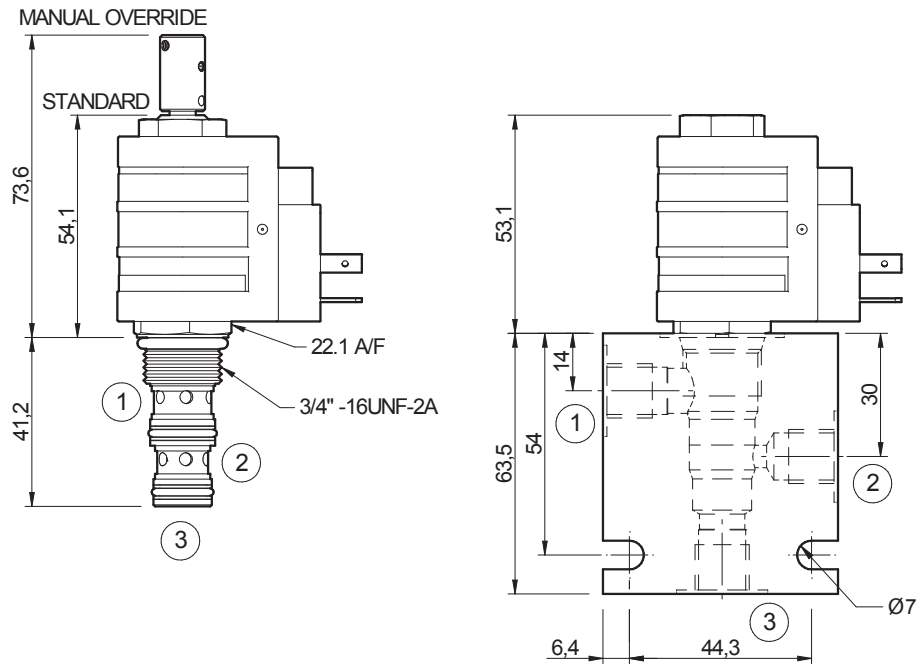
To Override

Detented Version
Pull & Twist

Non-Detented Version
Pull (spring return)

Coils can be fitted in **any** orientation.

Refer to data sheet Coil-P for coil options.



Ordering Code

D-PPS3X

Options	Coil termination	Voltage	Port size (BSP)	No. of ports	Body material
00 - Nitrile V0 - Viton 0M - Nitrile, overr., detent VM - Viton, overr., detent	DL - Double lead DS - Double spade HC - EN 175301-803* CL - Conduit lead 'I' coils (12 & 24 volts only) weather/immersion proof (IP69) IA - AMP superseal ID - Deutsch IJ - AMP Jr. Timer IM - Metripak Options - See page Coil-P Omit if coil is not required	12 - 12 Vdc 24 - 24 Vdc 48 - 48 Vdc 25 - 24 Vac 11 - 110 Vac 23 - 250 Vac Options - See page Coil-P	A - 1/4" B - 3/8" Options - See page B-DPP	3 - 3 ports Options - See page B-DPP	A - Aluminium S - Steel

*Formerly DIN 43650 Hirschmann connector.