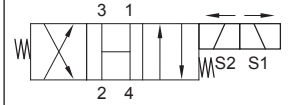


Up to 210 bar - 11 lpm

### Symbol



### Operation

This is a solenoid operated 4 way 3 position open centre spool valve. It is typically used for a stand alone system where in the mid de-energised position pressure (1), tank (4) and services (1) and (3) are all open to each other.

Energise solenoid (S1) to connect (2) to (1) and (3) to (4).

Energise solenoid (S2) to connect (2) to (3) and (1) to (4).

**Manual override options available.**

### Features

- Hardened parts for long life.
- Efficient wet-armature construction.
- Cartridges are voltage interchangeable.
- Industry common cavity.
- Unitised, molded coil design.
- Continuous duty rated solenoid.
- Optional coil voltages and terminations.



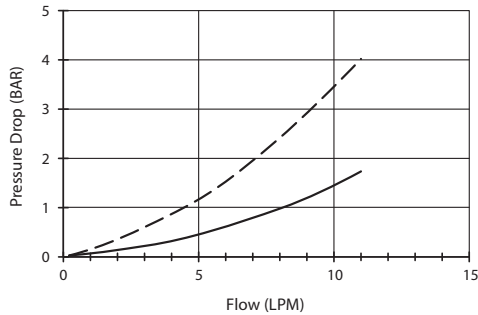
Uses "P" Power coil.

For higher flow see D-PQS4T.

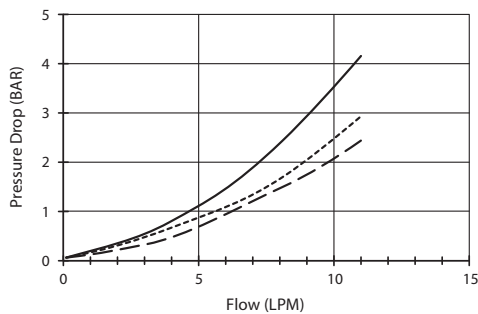
"OP" override is a push only non-detented button that actuates S2 direction.

### Performance

32 cSt / 38°C.



--- Port 2 to 1 (eng S1)    ——— Port 3 to 4 (eng S1)

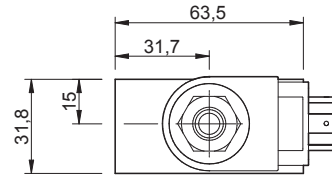
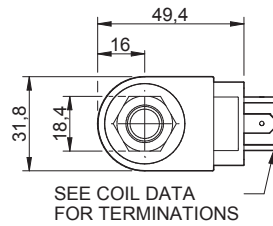


--- Port 2 to 4 (de-eng)    - - - - - Port 1 to 4 (eng S2)  
 ——— Port 2 to 3 (eng S2)

### Specifications

Max. Flow (lpm)	11
Max. pressure (bar)	210
Internal Leakage (32 cSt)	82 cc/min at 210 bar
Hydraulic oil	General purpose hydraulic fluid
Viscosity Range	3 to 640 cSt
Filtration	ISO 18/16/13
Operating temp.	-40 to 120°C
Voltage	DC / AC (see coil data page <b>Coil-P</b> )
Cartridge Torque	34 Nm
Coil Nut Torque	5 to 8 Nm
Cavity	PQ08-4 (see cavity data page <b>CAV-PQ08-4</b> )
Spare Seal Kit	SK-DPQVHDDD
Weight - Cartridge only	0.19 kg
Weight - Cartridge + Coil	0.38 kg
Weight - Cartridge + Coil + Body	0.75 kg (alum)    1.44 kg (steel)

**Dimensions**  
[mm]



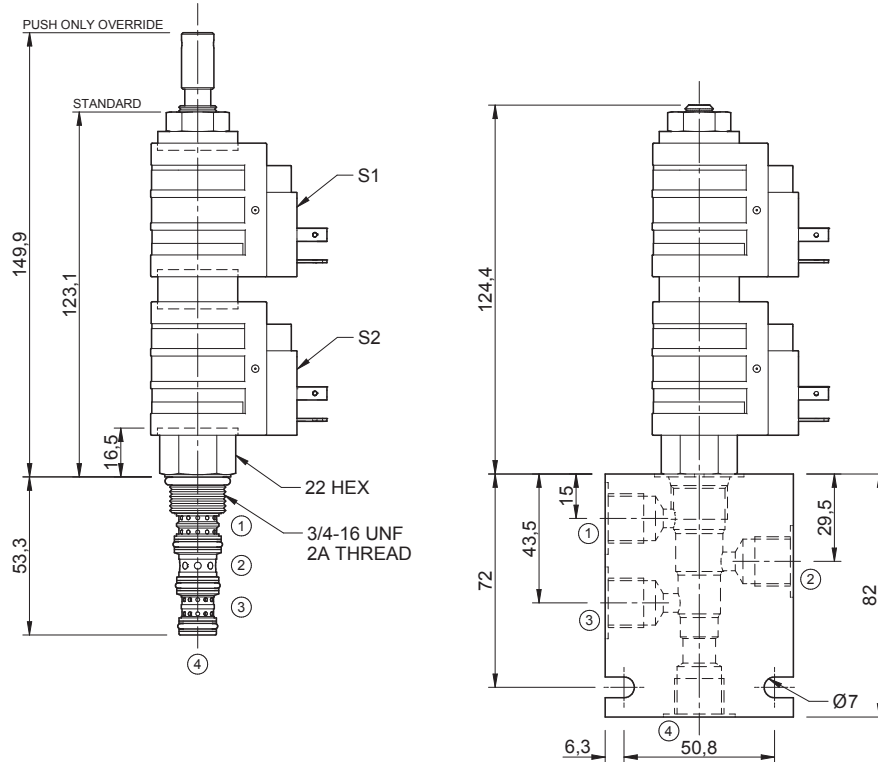
SEE COIL DATA FOR TERMINATIONS

**To Override**

Push to override.

Coils can be fitted in any orientation.

Refer to data sheet Coil-P for coil options.



**Ordering Code**

**D-PQS40** — **\*\*** — **\*\*** **\*\*** — **\*** **\*** **\***

Options
<b>00</b> - Nitrile
<b>V0</b> - Viton
<b>0P</b> - Nitrile, push override.
<b>VP</b> - Viton, push override.

Coil termination
<b>DL</b> - Double lead
<b>DS</b> - Double spade
<b>HC</b> - EN 175301-803*
<b>CL</b> - Conduit lead
<b>Options</b> - See page <b>Coil-P</b>
Omit if coil is not required

Voltage
<b>12</b> - 12 Vdc
<b>24</b> - 24 Vdc
<b>48</b> - 48 Vdc
<b>25</b> - 24 Vac
<b>11</b> - 110 Vac
<b>23</b> - 240 Vac
<b>Options</b> - See page <b>Coil-P</b>

Port size (BSP)
<b>A</b> - 1/4"
<b>B</b> - 3/8"
<b>Options</b> - See page <b>B-DPQ</b>

No. of ports
<b>4</b> - 4 ports
<b>Options</b> - See page <b>B-DPQ</b>

Body material
<b>A</b> - Aluminium
<b>S</b> - Steel

\*Formerly DIN 43650 Hirschmann connector.