

Up to 210 bar - 23 lpm

Operation

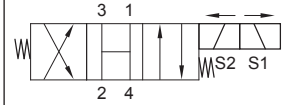
This is a solenoid operated 4 way 3 position open centre spool valve. It is typically used for a stand alone system where in the mid de-energised position pressure (1), tank (4) and services (1) and (3) are all open to each other.

Energise solenoid (S1) to connect (2) to (1) and (3) to (4).

Energise solenoid (S2) to connect (2) to (3) and (1) to (4).

Manual override options available.

Symbol



Features

- Hardened parts for long life.
- Efficient wet-armature construction.
- Cartridges are voltage interchangeable.
- Industry common cavity.
- Unitised, molded coil design.
- Continuous duty rated solenoid.
- Optional coil voltages and terminations.
- Optional "I" Coil: Weatherproof, Thermal, Shock, Immersion Safe.

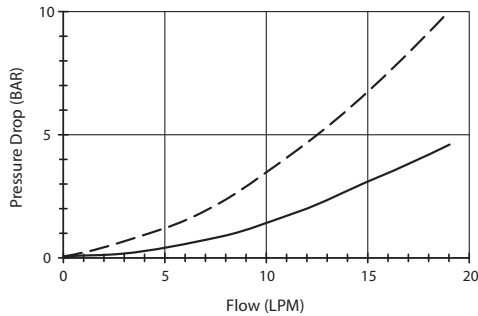


Uses "D" Delta coil.

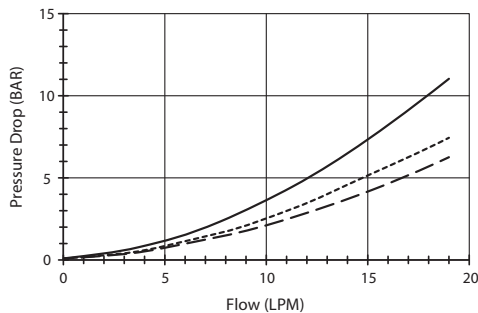
"OP" override is a push only non-detented button that actuates S2 direction.

Performance

32 cSt / 38°C.



--- Port 2 to 1 (eng S1) — Port 3 to 4 (eng S1)

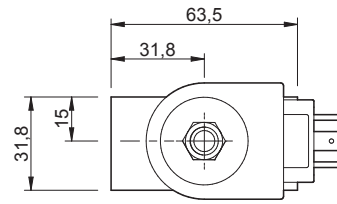
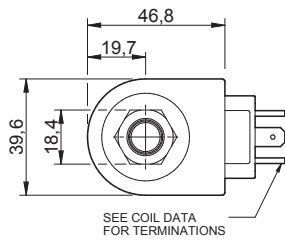


--- Port 2 to 4 (de-eng) - - - - - Port 1 to 4 (eng S2)
 — Port 2 to 3 (eng S2)

Specifications

Max. Flow (lpm)	19
Max. pressure (bar)	210
Internal Leakage (32 cSt)	82 cc/min per path
Hydraulic oil	General purpose hydraulic fluid
Viscosity Range	3 to 640 cSt
Filtration	ISO 18/16/13
Operating temp.	-40 to 120°C
Voltage	DC / AC (see coil data page Coil-D)
Cartridge Torque	34 Nm
Coil Nut Torque	5 to 8 Nm
Cavity	PQ08-4 (see cavity data page CAV-PQ08-4)
Spare Seal Kit	SK-DPQVHDDD
Weight - Cartridge only	0.19 kg
Weight - Cartridge + Coil	0.52 kg
Weight - Cartridge + Coil + Body	0.89 kg (alum) 1.58 kg (steel)

Dimensions
[mm]

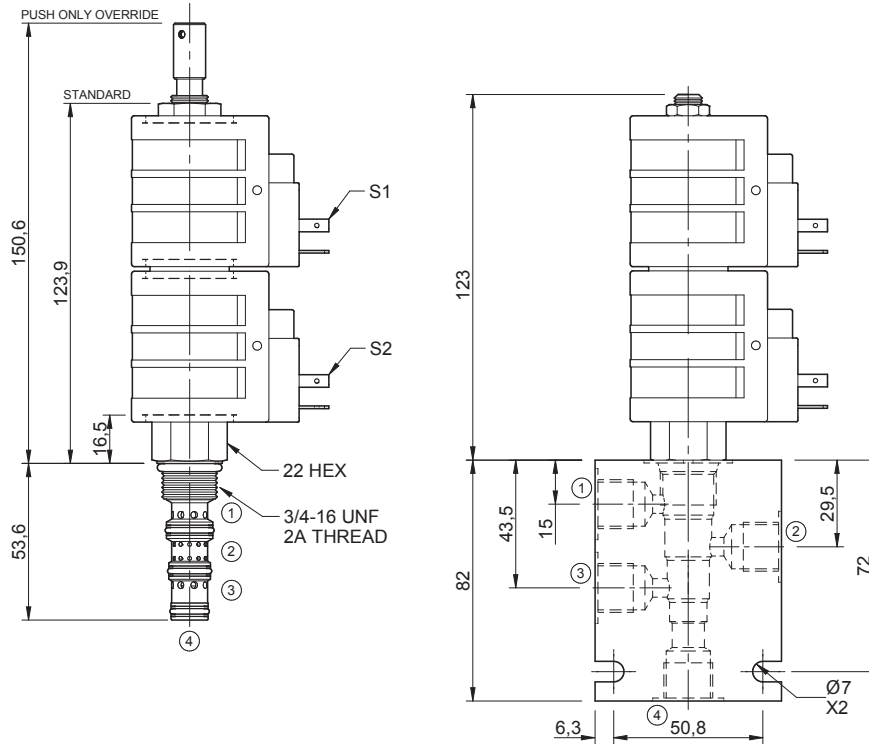


To Override

Push to override.

Coils can be fitted in any orientation.

Refer to data sheet Coil-D for coil options.



Ordering Code

D-PQS4T - ** - ** ** - * * *

Options
00 - Nitrile
V0 - Viton
0P - Nitrile, push only overr.
VP - Viton, push only overr.

Coil termination
DL - Double lead
DS - Double spade
HC - EN 175301-803*
CL - Conduit lead
Options - See page Coil-D
Omit if coil is not required

Voltage
12 - 12 Vdc
24 - 24 Vdc
48 - 48 Vdc
25 - 24 Vac
11 - 110 Vac
23 - 240 Vac
Options - See page Coil-D

Port size (BSP)
A - 1/4"
B - 3/8"
Options - See page B-DPQ

No. of ports
4 - 4 ports
Options - See page B-DPQ

Body material
A - Aluminium
S - Steel

*Formerly DIN 43650 Hirschmann connector.