

Flow Control.

Adjustable Flow Control Valve, Pressure Compensated - Size 16.

D-SJFCA



Up to 240 bar - 95 lpm

Symbol




This is an adjustable, pressure compensated flow control which can be used to control flow regardless of varying load pressures for both meter-in and meter-out applications. Where load pressure and inlet flow are relatively constant the valve can be used to provide accurate control in bleed-off circuits.

Operation

The D-SJFCA maintains a constant flow rate out of (1) regardless of load pressure changes in the circuit downstream of (1).

The valve begins to respond to load changes when the flow through the valve creates a pressure differential across the control orifice. Consult chart to see regulation at high and low adjustment settings. Reverse flow (1) to (2) returns through the control orifice and is non-compensated.

Adjustment

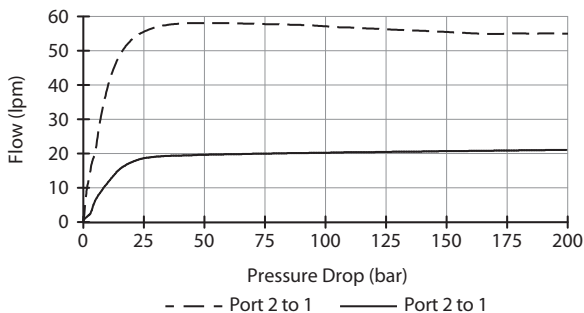
Turn  to increase flow.

Features

- Hardened parts for long life.
- Industry common cavity.
- Fine low-torque adjustment.

Performance

32 cSc / 38°C.

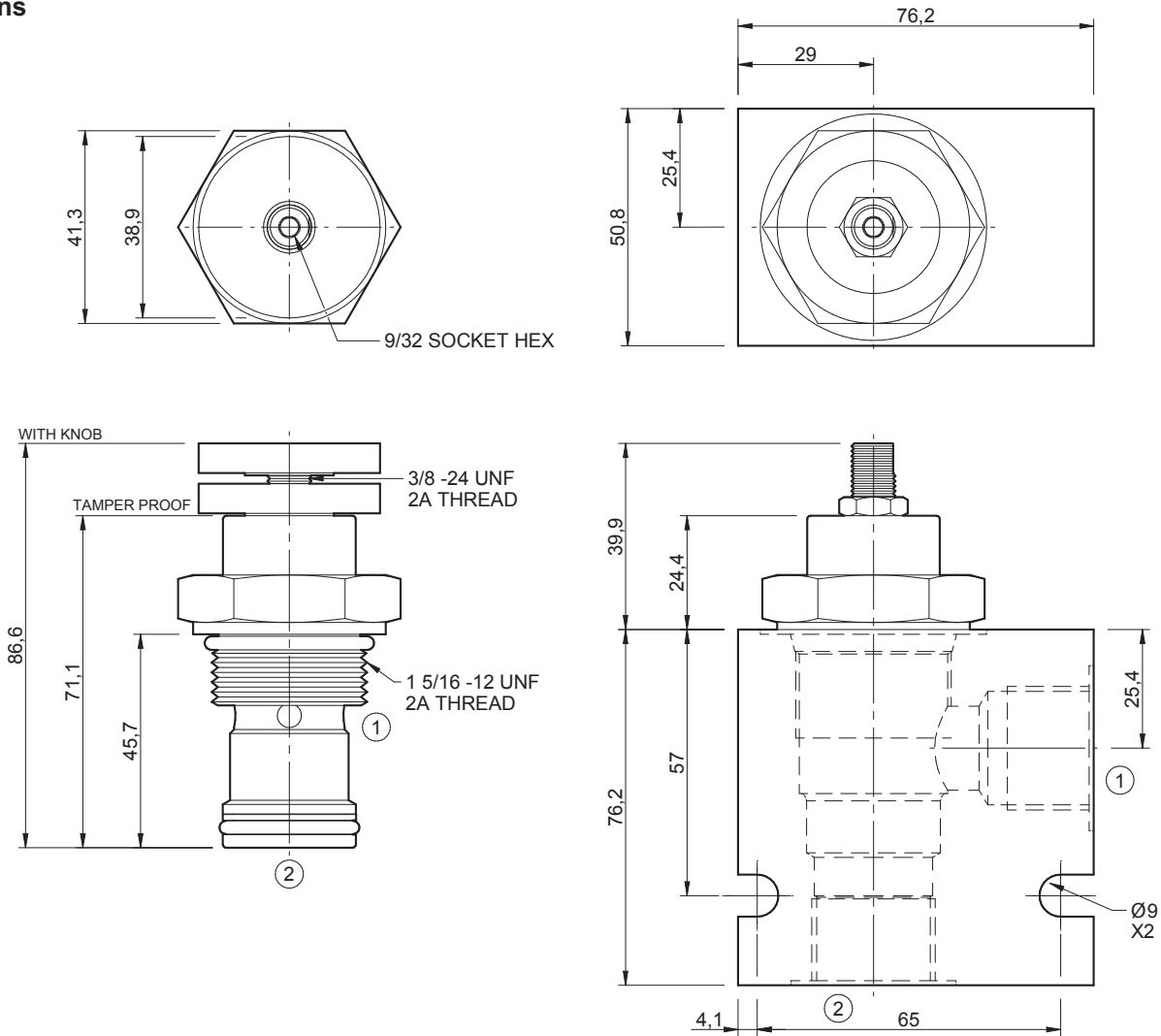


Specifications

Nom. Flow (lpm)	95
Max. Pressure (bar)	240
Hydraulic Oil	General purpose hydraulic fluid
Viscosity Range	3 to 640 cSt
Filtration	ISO 18/16/13
Operating Temp.	-40 to 120°C
Cartridge Torque	122 Nm
Cavity	SJ16-2 (see cavity data page CAV-SJ16-2)
Spare Seal Kit (Viton)	SK-DSJVHA
Weight - Valve only	0.40 kg
Weight - Valve + Body	0.97 kg (alum) 2.03 kg (steel)

Dimensions

[mm]



Ordering Code

D-SJFCA

**** **** * * ***

Options
00 - Nitrile
V0 - Viton
0K - Nitrile, Knob
VK - Viton, Knob
0I - Viton, Internal Adj.
VI - Viton, Internal Adj.
0T - Viton, Tamper Proof
VT - Viton, Tamper Proof

Flow Setting
xxxL - 1 to 95 lpm
Omit for standard fully adjustable.
Preset & Tamper Proof
Example: 045L = 45 lpm ± 10%

Port size (BSP)
D - 3/4"
E - 1"
Options - See page B-DSJ

No. of ports
2 - 2 ports
Options - See page B-DSJ

Body material
A - Aluminium
S - Steel
For pressures over 210 bar use steel.

Knob Part No.
PT-KN22020049