

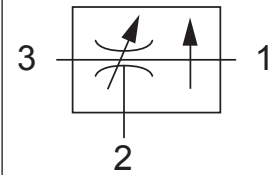
Up to 210 bar - 95 lpm

Operation

The D-SKFCQ allows pressure compensated flow from (3) to (1) regulated by the pressure present at (3).

Excess flow bypasses out (2).

The spring chamber is constantly vented at (1).

Symbol

Adjustment

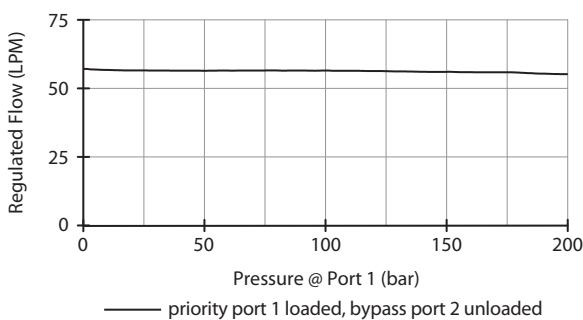
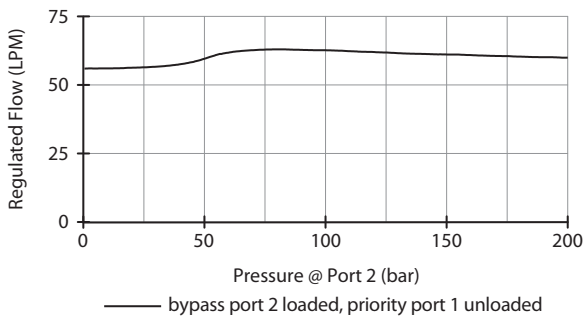
Turn  to decrease flow @ (1).

Features

- Hardened cage and spool for long life.
- Industry common cavity.

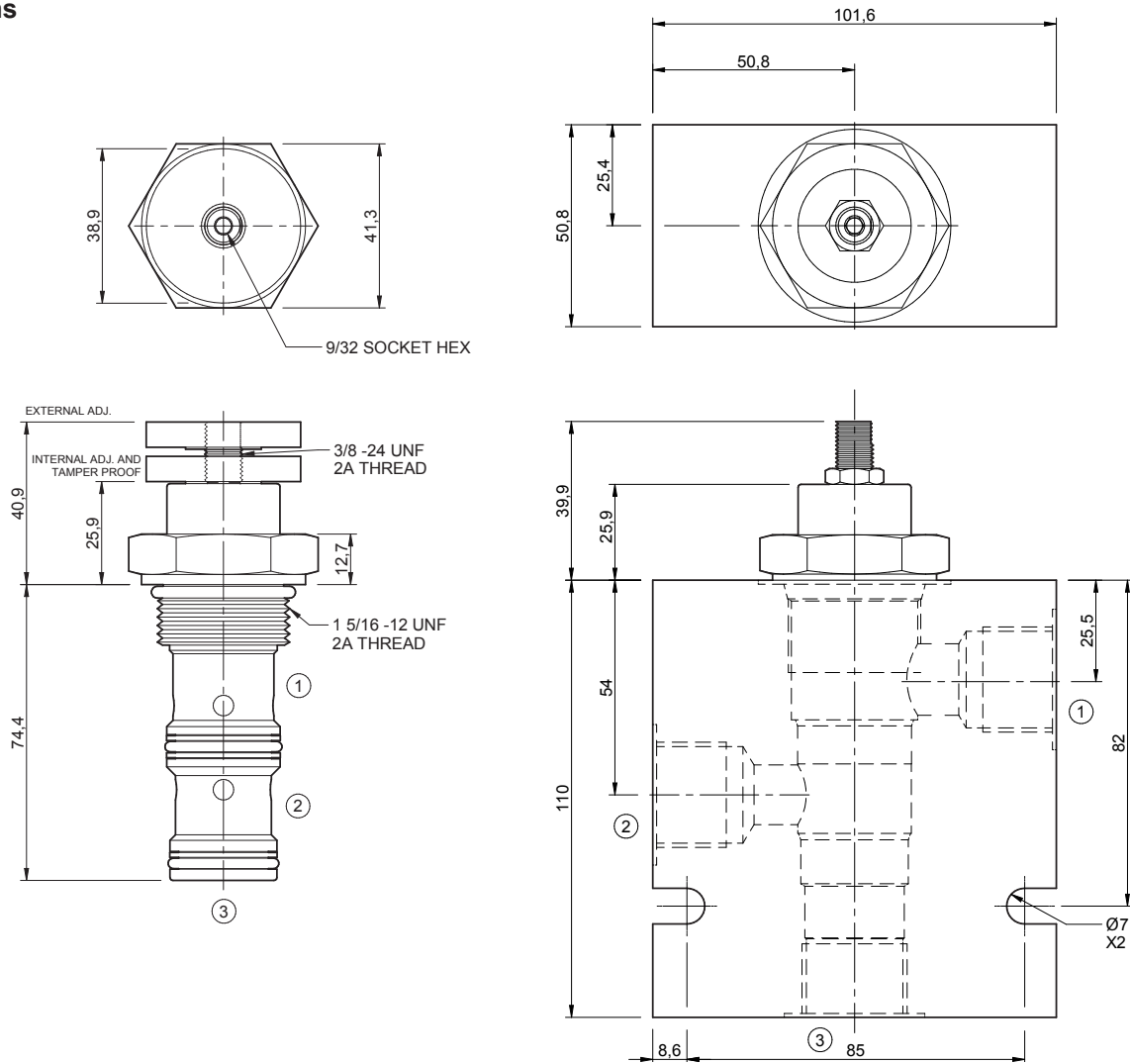
Performance

32 cSc / 38°C.


Specifications

Regulated Flow (lpm)	1-95
Operating Pressure (bar)	34-210
Hydraulic Oil	General purpose hydraulic fluid
Viscosity Range	3 to 640 cSt
Filtration	ISO 18/16/13
Operating Temp.	-40 to 120°C
Cartridge Torque	122 Nm
Cavity	SK16-3 (see cavity data page CAV-SK16-3)
Spare Seal Kit (Viton)	SK-DSKVHBA
Weight - Valve only	0.44 kg
Weight - Valve + Body	1.69 kg (alum) 4.04 kg (steel)

Dimensions
[mm]



Ordering Code

D-SKFCQ

