

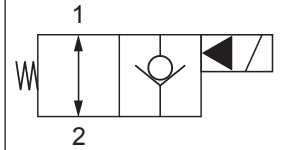
Up to 350 bar - 45 lpm


**Operation**

This is a solenoid operated 2 way normally open poppet valve. When de-energised flow is allowed in both directions between ports 1 and 2. When energised flow is blocked from 1 to 2 by a load holding poppet.

This valve is typically used as a solenoid operated dump valve but is also ideal for providing direction within a circuit.

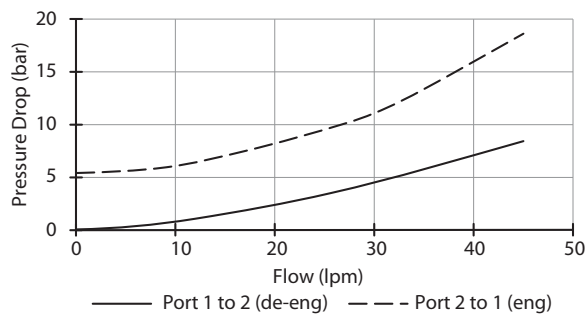
**Manual override options available.**

**Symbol**

**Features**

- Hardened parts for long life.
- Efficient wet-armature construction.
- Cartridges are voltage interchangeable.
- Manual override options.
- Industry common cavity.
- 720 hours salt spray protection.
- Unitised, molded coil design.
- Continuous duty rated solenoid.
- Optional coil voltages and terminations.
- Optional "I" Coil: Weatherproof, Thermal, Shock, Immersion Safe.

**Performance**

32 cSt / 38°C.


**Specifications**

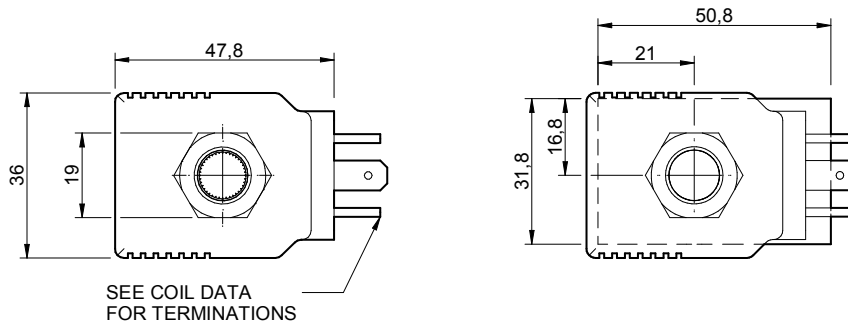
Nom. Flow (lpm)	45
Max. pressure (bar)	350
Internal Leakage (32 cSt)	0 to 0.25 cc/min at 350 bar
Hydraulic oil	General purpose hydraulic oil
Viscosity Range	3 to 640 cSt
Filtration	ISO 18/16/13
Operating temp.	-40 to 120°C
Voltage	DC / AC (see coil data page <b>Coil-P</b> )
Cartridge Torque	47 Nm
Coil Nut Torque	6 to 8 Nm (max.)
Cavity	PB08-2 (see cavity data page <b>CAV-PB08-2</b> )
Spare Seal Kit (Viton)	SK-DPBVHA
Weight - Cartridge only	0.13 kg
Weight - Cartridge + Coil	0.32 kg
Weight - Cartridge + Coil + Body	0.50 kg (alum) 0.83 kg (steel)

**Energisation Chart**

Solenoid	Flow Direction	
	1 → 2	2 → 1
De-energised	Free Flow	Free Flow
Energised	Load holding	Free Flow

**Dimensions**

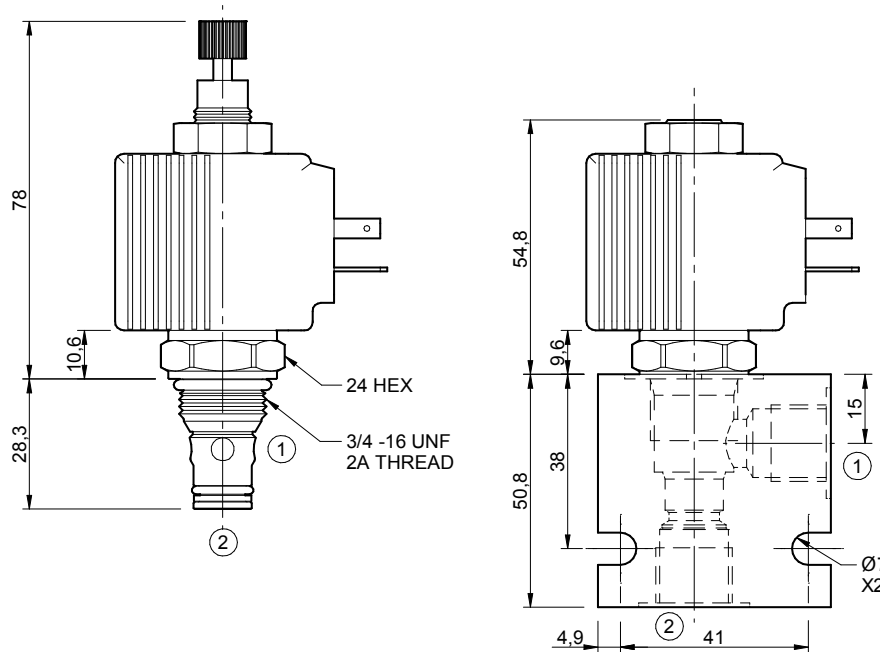
[mm]



**To Override**

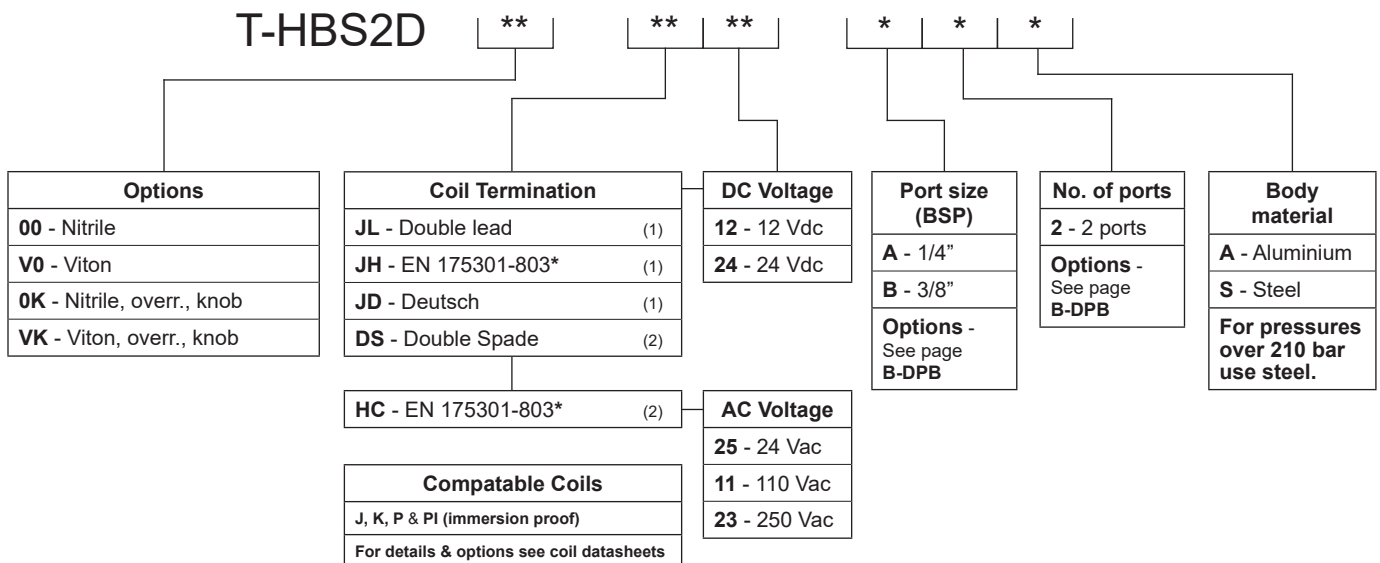
Screw clockwise to close.

Coil shown is JH (standard option).



**Ordering Code**

**T-HBS2D**



(1) - J Coil.  
(2) - P Coil.

\*Formerly DIN 43650 Hirschmann connector.