

Up to 240 bar - 30 lpm

Symbol


This is a fixed orifice type, non-adjustable, pressure compensated flow control which can be used to control flow regardless of varying load pressures for both meter-in and meter-out applications. Where load pressure and inlet flow are relatively constant the valve can be used to provide accurate control in bleed-off circuits.

Operation

The D-DEFCEB maintains a constant flow rate out of (1) regardless of load pressure changes in the circuit downstream of (1).

The valve begins to respond to load changes when the flow through the valve creates a pressure differential across the control orifice, in excess of the spring load. Consult chart for regulation performance.

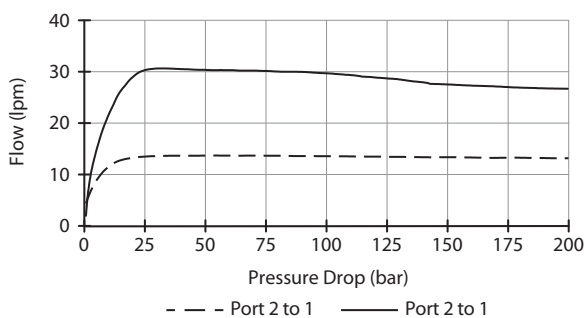
Reverse flow (1) to (2) returns through the control orifice and is non-compensated.

Features

- Hardened parts for long life.
- Industry common cavity.

Performance

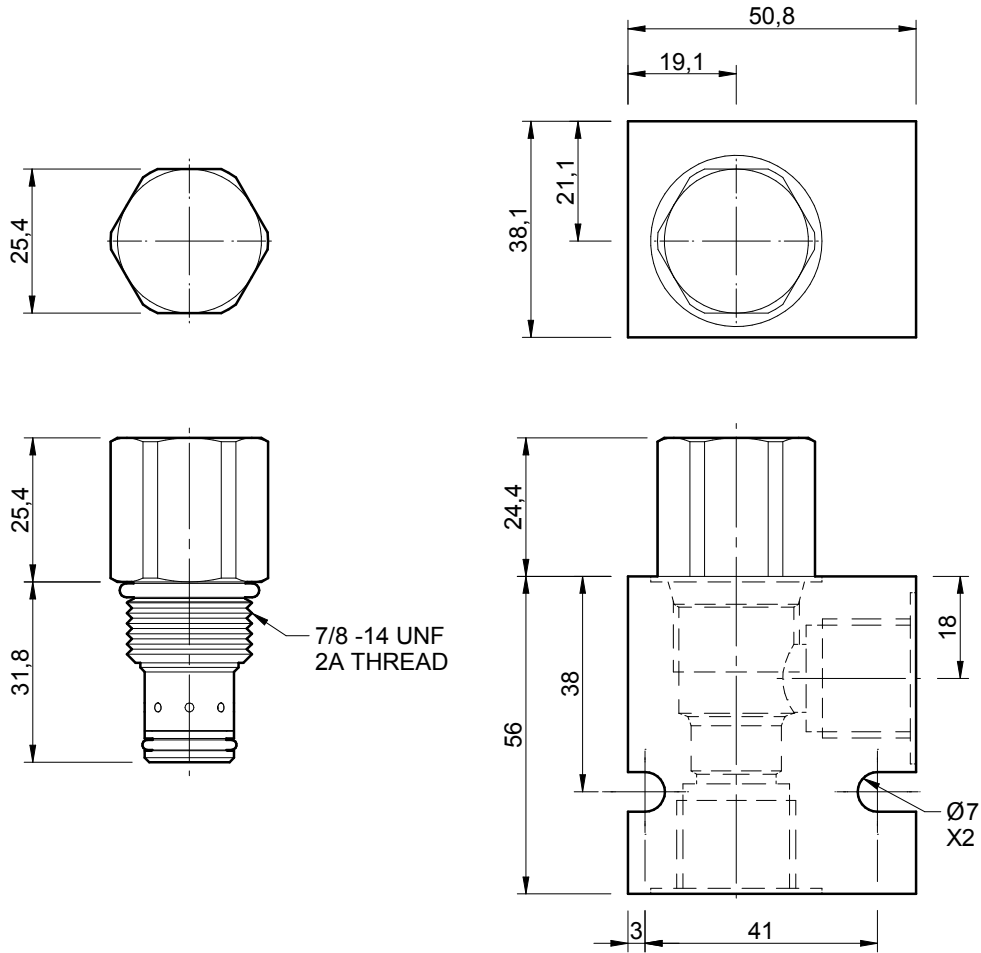
32 cSc / 38°C.


Specifications

Nom. Flow (lpm)	30
Max. Pressure (bar)	240
Hydraulic Oil	General purpose hydraulic fluid
Viscosity Range	3 to 640 cSt
Filtration	ISO 18/16/13
Operating Temp.	-40 to 120°C
Cartridge Torque	41 Nm
Cavity	DE10-2 (see cavity data page CAV-DE10-2)
Spare Seal Kit (Viton)	SK-DDEVHA
Weight - Valve only	0.13 kg
Weight - Valve + Body	0.36 kg (alum) 0.78 kg (steel)

Dimensions

[mm]



Ordering Code

