



Up to 240 bar - 23 lpm


**Symbol**

**Operation**

The D-PBNVA adjusts from fully open to fully closed by turning adjusting screw clockwise. When adjusted open the valve allows flow from (1) to (2) and (2) to (1). When fully closed the valve blocks flow from (1) to (2) and (2) to (1).

This valve can be used to vary flow and also as a shut-off valve.

**Adjustment**

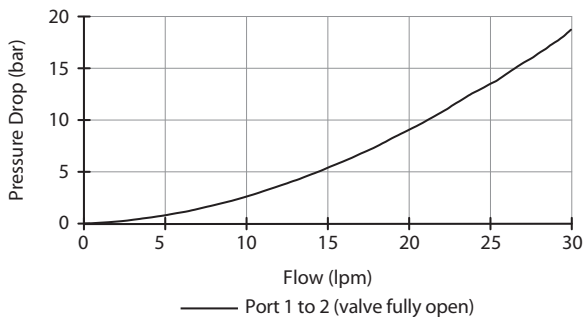
Turn  to decrease flow and shut off.

**Features**

- Hardened cage and spool for long life.
- Industry common cavity.

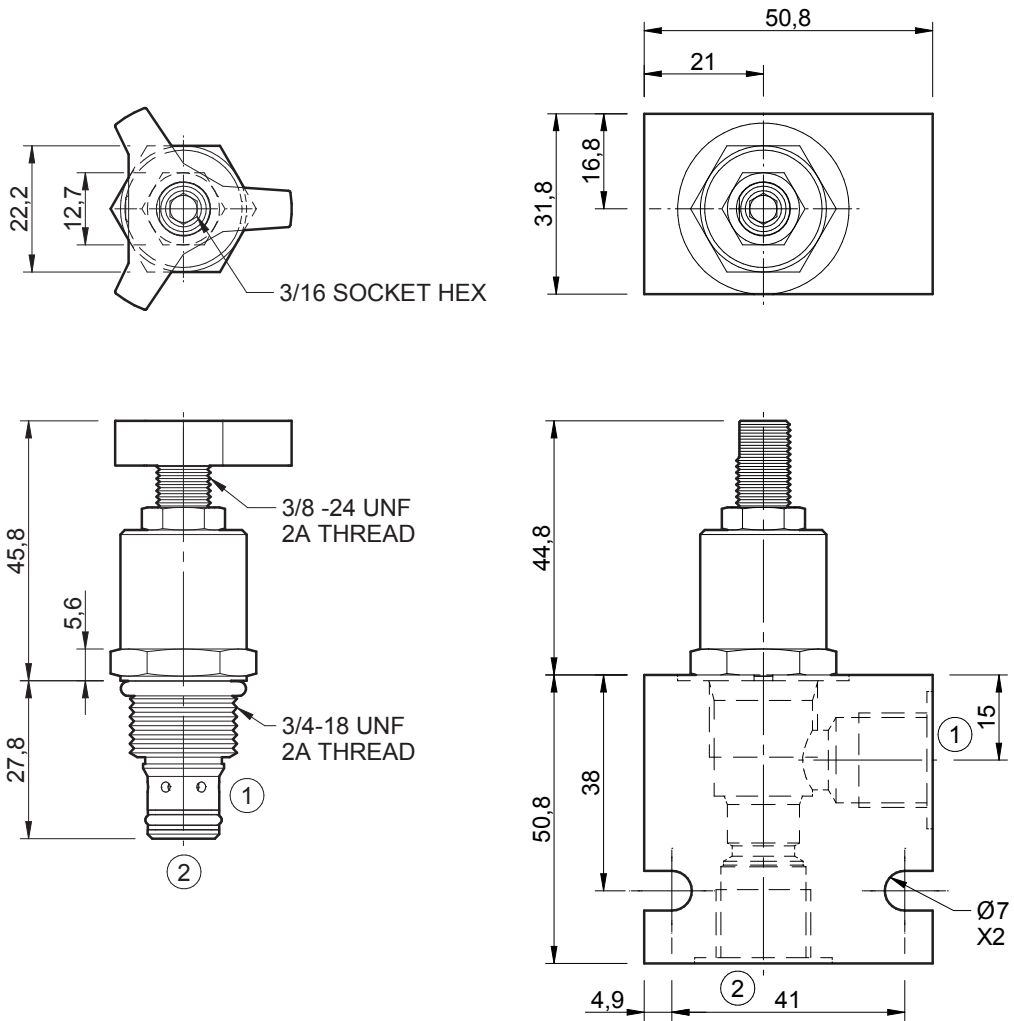
**Performance**

32 cSc / 38°C.


**Specifications**

Nom. Flow (lpm)	23
Max. Pressure (bar)	240
Hydraulic Oil	General purpose hydraulic fluid
Viscosity Range	3 to 640 cSt
Filtration	ISO 18/16/13
Operating Temp.	-40 to 120°C
Cartridge Torque	34 Nm
Cavity	PB08-2 (see cavity data page <b>CAV-PB08-2</b> )
Spare Seal Kit (Viton)	SK-DPBVHD
Weight - Valve only	0.10 kg
Weight - Valve + Body	0.28 kg (alum) 0.61 kg (steel)

**Dimensions**  
[mm]



**Ordering Code**

**D-PBNVA**

