

Up to 240 bar - 23 lpm

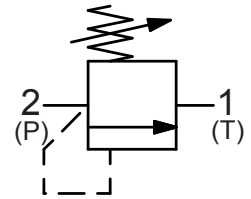
This is a direct-acting poppet type relief valve, typically used to provide relief protection in low and fixed flow circuits. It is fast acting and dirt tolerant with good hysteresis characteristics and is ideal for service line protection.

Operation


The D-PBRVA blocks flow from (2) to (1) until sufficient pressure is present at (2) to force the poppet to open and allow metered flow from (2) to (1).

The cartridge offers smooth transition in response to load changes in common hydraulic circuits.

Symbol



Adjustment

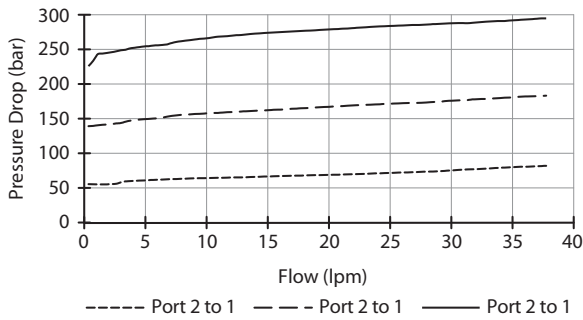
Turn  to increase pressure.

Features

- Hardened parts for long life.
- Industry common cavity.

Performance

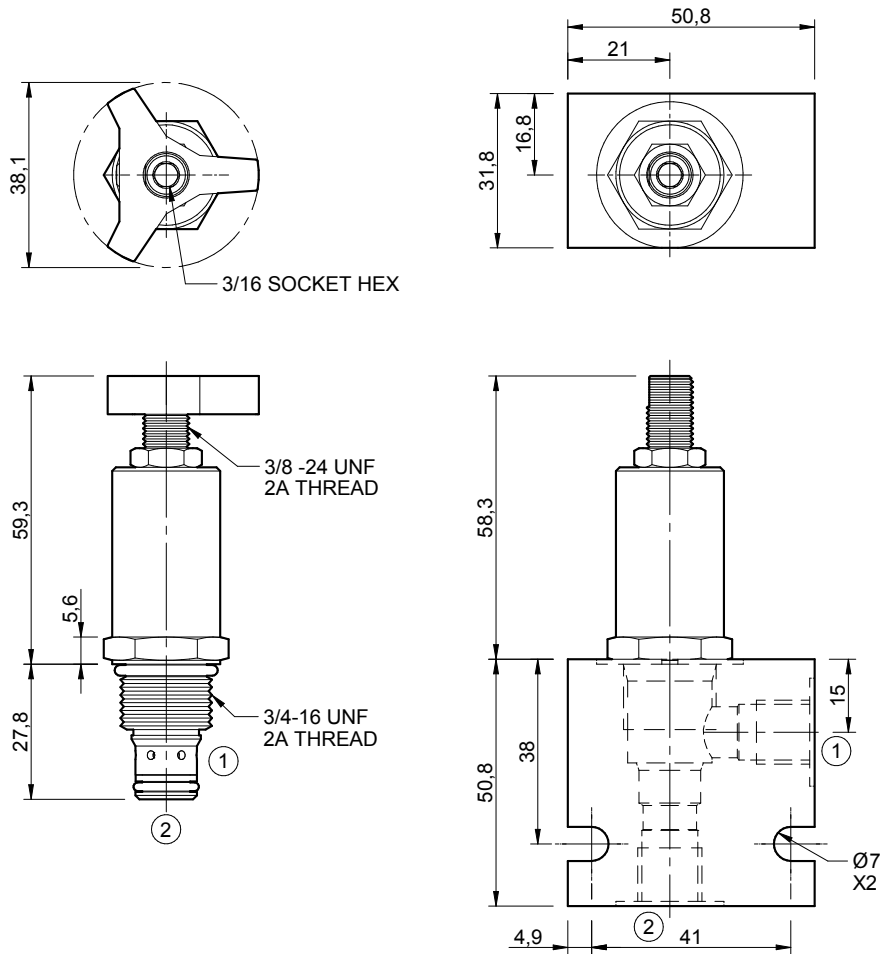
32 cSc / 38°C.



Specifications

Nom. Flow (lpm)	23
Max. Pressure (bar)	240
Hydraulic Oil	General purpose hydraulic fluid
Viscosity Range	3 to 640 cSt
Filtration	ISO 18/16/13
Operating Temp.	-40 to 120°C
Cartridge Torque	34 Nm
Cavity	PB08-2 (see cavity data page CAV-PB08-2)
Spare Seal Kit (Viton)	SK-DPBVHA
Weight - Valve only	0.14 kg
Weight - Valve + Body	0.32 kg (alum) 0.65 kg (steel)

Dimensions
[mm]



Ordering Code

