

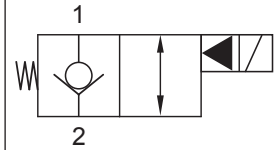
Up to 240 bar - 115 lpm


Operation

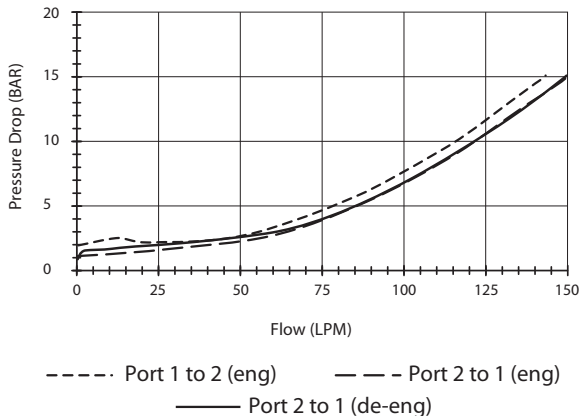
This is a solenoid operated 2 way normally closed poppet valve which is typically used to lock a load in position. When energised the poppet opens and releases the load and allows flow to pass freely in both directions between 1 and 2. De-energised the valve allows free flow from 2 to 1. A typical application for this valve is where a cylinder is required to float in the energised position and be locked in the de-energised position. The valve can also be used as a directional control.

Manual override options available.
Features

- Hardened parts for long life.
- Efficient wet-armature construction.
- Cartridges are voltage interchangeable.
- Manual override options.
- Industry common cavity.
- Unitised, molded coil design.
- Continuous duty rated solenoid.
- Optional coil voltages and terminations.
- Optional "I" Coil: Weatherproof, Thermal, Shock, Immersion Safe.

Symbol

Performance

32 cSt / 38°C.


Specifications

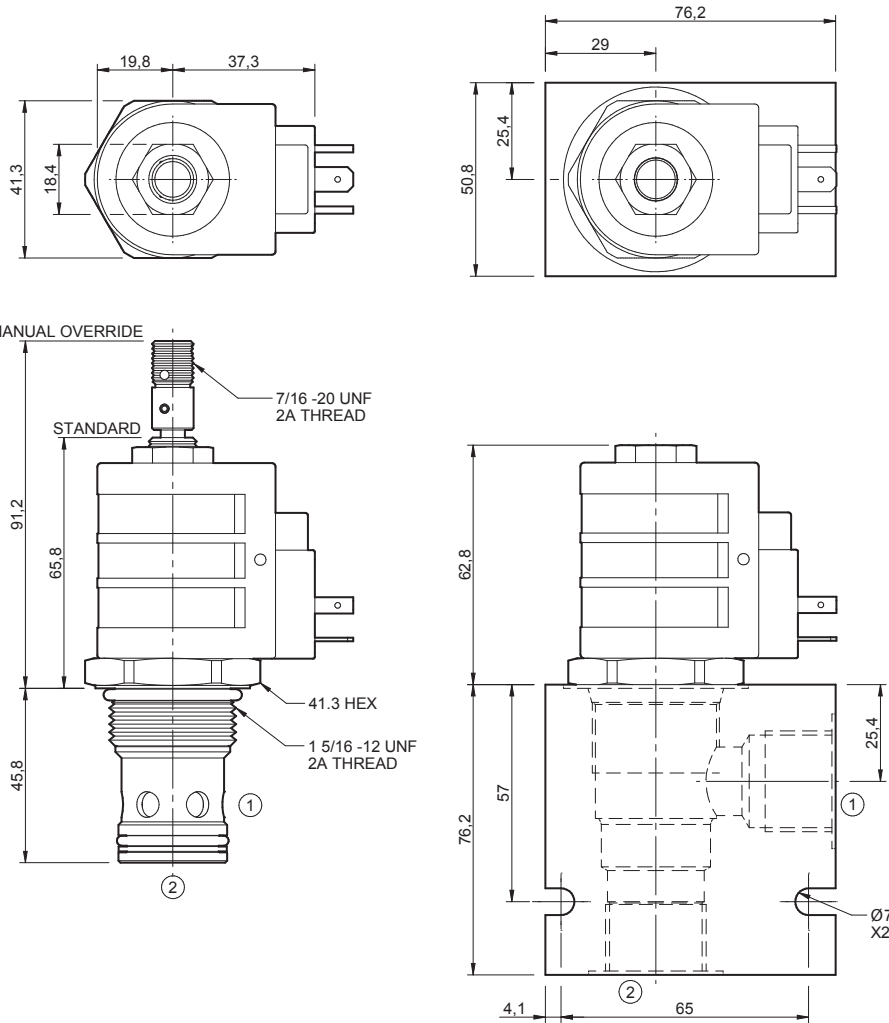
Nom. Flow (lpm)	115
Max. pressure (bar)	240
Internal Leakage (32 cSt)	0 to 0.50 cc/min at 210 bar
Hydraulic oil	General purpose hydraulic fluid
Viscosity Range	3 to 640 cSt
Filtration	ISO 18/16/13
Operating temp.	-40 to 120°C
Voltage	DC / AC (see coil data page Coil-D)
Cartridge Torque	122 Nm
Coil Nut Torque	5 to 8 Nm
Cavity	SJ16-2 (see cavity data page CAV-SJ16-2)
Spare Seal Kit (Viton)	SK-DSJVHA
Weight - Cartridge only	0.32 kg
Weight - Cartridge + Coil	0.65 kg
Weight - Cartridge + Coil + Body	1.23 kg (alum) 3.57 kg (steel)

Energisation Chart

Solenoid	Flow Direction	
	1 → 2	2 → 1
De-energised	Load holding	Free flow
Energised	Free flow	Free flow

Dimensions

[mm]



To Override

Detented Version
Pull & Twist

Non-Detented Version
Pull (spring return)

Coils can be fitted in any orientation.

Refer to data sheet **Coil-D** for coil options.

Ordering Code

D-SJS2B

	**	**	**	*	*	*
Options	Coil termination	Voltage	Port size (BSP)	No. of ports	Body material	
00 - Nitrile	DL - Double lead	12 - 12 Vdc	D - 3/4"	2 - 2 ports	A - Aluminium	
V0 - Viton	DS - Double spade	24 - 24 Vdc	E - 1"	Options - See page B-DSJ	S - Steel	
0M - Nitrile, overr., detent	HC - EN 175301-803*	48 - 48 Vdc	Options - See page B-DSJ		For pressures over 210 bar use steel.	
VM - Viton, overr., detent	CL - Conduit lead	25 - 24 Vac				
B1 - Nitrile, overr., non-detent	'I' coils (12 & 24 volts only) weather/immersion proof (IP69)	11 - 110 Vac				
V1 - Viton, overr., non-detent	IA - AMP superseal	23 - 250 Vac				
	ID - Deutsch	Options - See page Coil-D				
	IJ - AMP Jr. Timer	Omit if coil is not required				
	IM - Metripak					
	Options - See page Coil-D					

*Formerly DIN 43650 Hirschmann connector.