



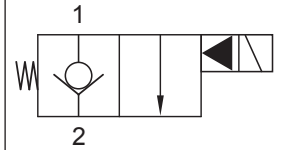
Up to 350 bar - 45 lpm

Operation

This is a solenoid operated 2 way normally closed poppet valve which is typically used to lock a load in position or block flow. When energised the poppet opens and releases the load from 1 to 2. De-energised the valve allows free flow from 2 to 1. In the energised position it should be noted that 2 to 1 flow is restricted to only a pilot flow rate. If free flow is required in both directions when energised, valve type S2B should be used.

Manual override options available

Symbol

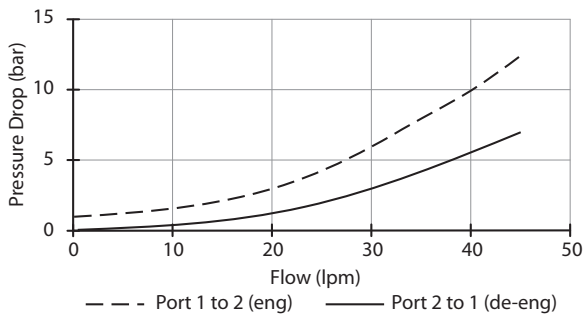


Features

- Hardened parts for long life.
- Efficient wet-armature construction.
- Cartridges are voltage interchangeable.
- Manual override options.
- Industry common cavity.
- Unitised, molded coil design.
- Continuous duty rated solenoid.
- Optional coil voltages and terminations.
- Optional "I" Coil: Weatherproof, Thermal, Shock, Immersion Safe.

Performance

32 cSt / 38°C.



Specifications

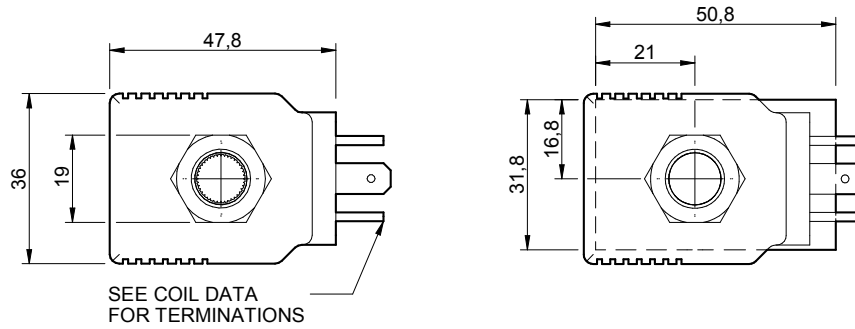
Nom. Flow (lpm)	45
Max. Pressure (bar)	350
Internal Leakage (32 cSt)	0 to 0.25 cc/min at 350 bar
Hydraulic Oil	General purpose hydraulic oil
Viscosity Range	3 to 640 cSt
Filtration	ISO 18/16/13
Operating Temp.	-20 to 100°C
Voltage	DC / AC (see coil data page Coil-P)
Cartridge Torque	47 Nm
Coil Nut Torque	6 to 8 Nm (max.)
Cavity	PB08-2 (see cavity data page CAV-PB08-2)
Spare Seal Kit (Viton)	SK-DPBVHA
Weight - Cartridge only	0.13 kg
Weight - Cartridge + Coil	0.32 kg
Weight - Cartridge + Coil + Body	0.43 kg (alum) 0.64 kg (steel)

Energisation Chart

Solenoid	Flow Direction	
	1 → 2	2 → 1
De-energised	Load holding	Free flow
Energised	Free flow	Restricted flow

Dimensions

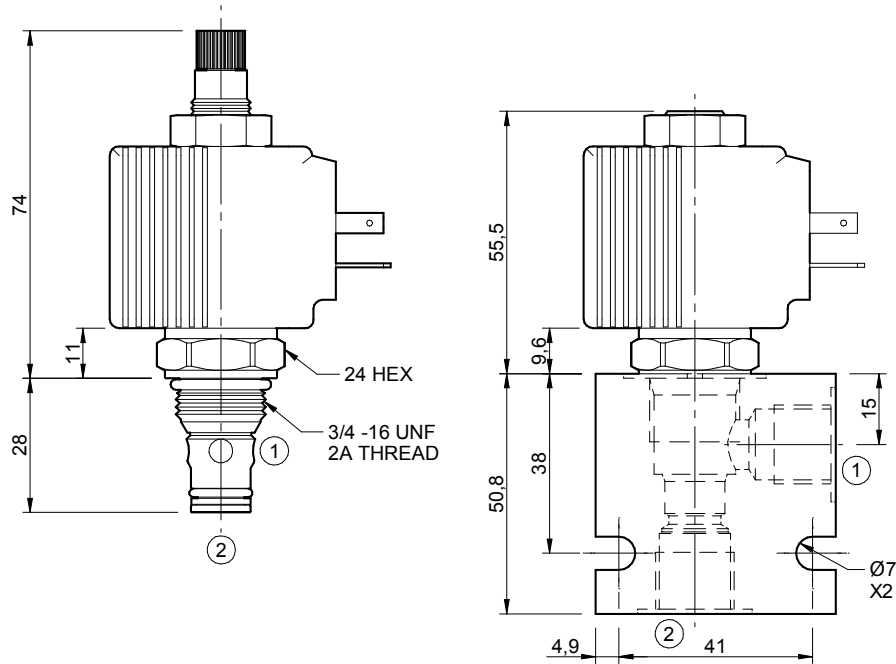
[mm]



To Override

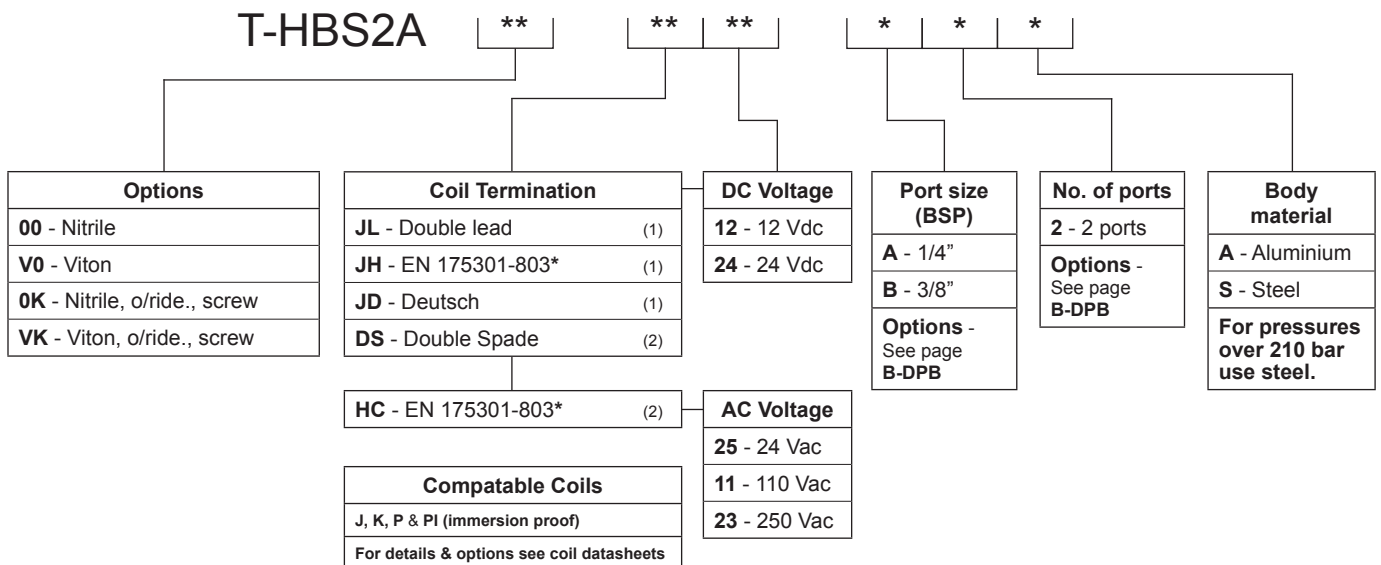
Screw counter- clockwise to open

Coil shown is JH (standard option).



Ordering Code

T-HBS2A



(1) - J Coil.
(2) - P Coil.

*Formerly DIN 43650 Hirschmann connector.