

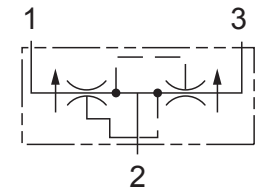


Up to 240 bar - 45 lpm

Operation

The D-DGFDB will divert input flow from port (2) to ports (3) and (1), based on the ratio specified, regardless of operating pressure. Should circuit operation result in a blockage of either (3) or (1), the opposite port may also close under certain conditions. Should this potential exist, consult the factory.

Symbol



Features

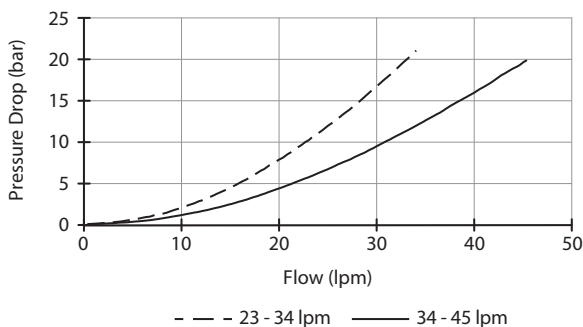
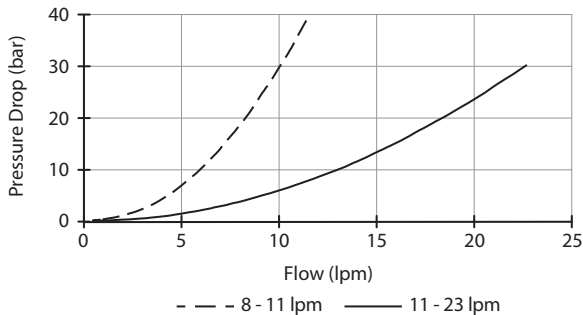
- Hardened parts for long life.
- Industry common cavity.



Do not exceed maximum flow per model.

Performance

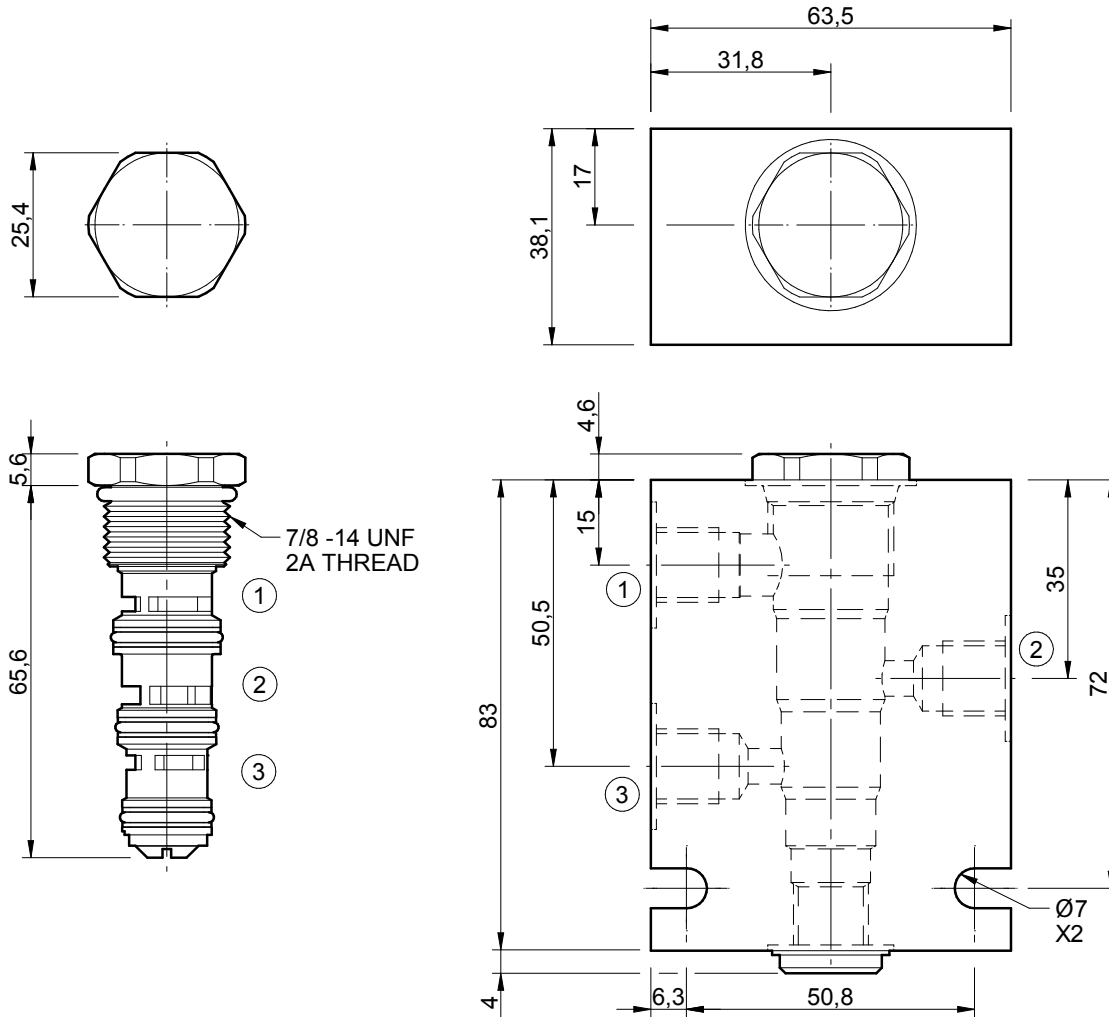
32 cSc / 38°C.



Specifications

Nom. Flow (lpm)	45
Max. Pressure (bar)	240
Accuracy of Flow Splits	±10% of max. rated inlet flow
Hydraulic Oil	General purpose hydraulic fluid
Viscosity Range	3 to 640 cSt
Filtration	ISO 18/16/13
Operating Temp.	-40 to 120°C
Cartridge Torque	41 Nm
Cavity	DG10-4 (see cavity data page CAV-DG10-4)
Spare Seal Kit (Viton)	SK-DDGVHDDD
Weight - Valve only	0.10 kg
Weight - Valve + Body	0.56 kg (alum) 1.43 kg (steel)

Dimensions
[mm]



Ordering Code

