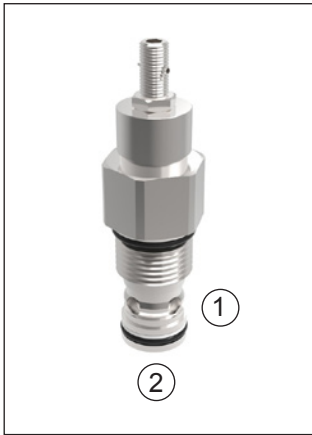


Flow Control.

Adjustable Flow Control Valve, Pressure Compensated - Size 12.

D-HTFCA



Up to 345 bar - 76 lpm

Symbol




This is an adjustable, pressure compensated flow control which can be used to control flow regardless of varying load pressures for both meter-in and meter-out applications. Where load pressure and inlet flow are relatively constant the valve can be used to provide accurate control in bleed-off circuits.

Operation

The D-HTFCA maintains a constant flow rate out of (1) regardless of load pressure changes in the circuit downstream of (1).

The valve begins to respond to load changes when the flow through the valve creates a pressure differential across the control orifice. Consult chart to see regulation at high and low adjustment settings. Reverse flow (1) to (2) returns through the control orifice and is non-compensated.

Adjustment

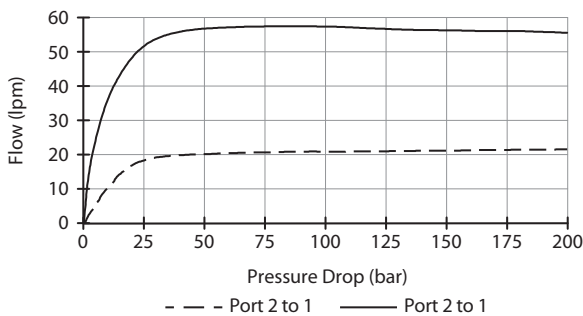
Turn  to increase flow.

Features

- Hardened parts for long life.
- Industry common cavity.
- Fine low-torque adjustment.

Performance

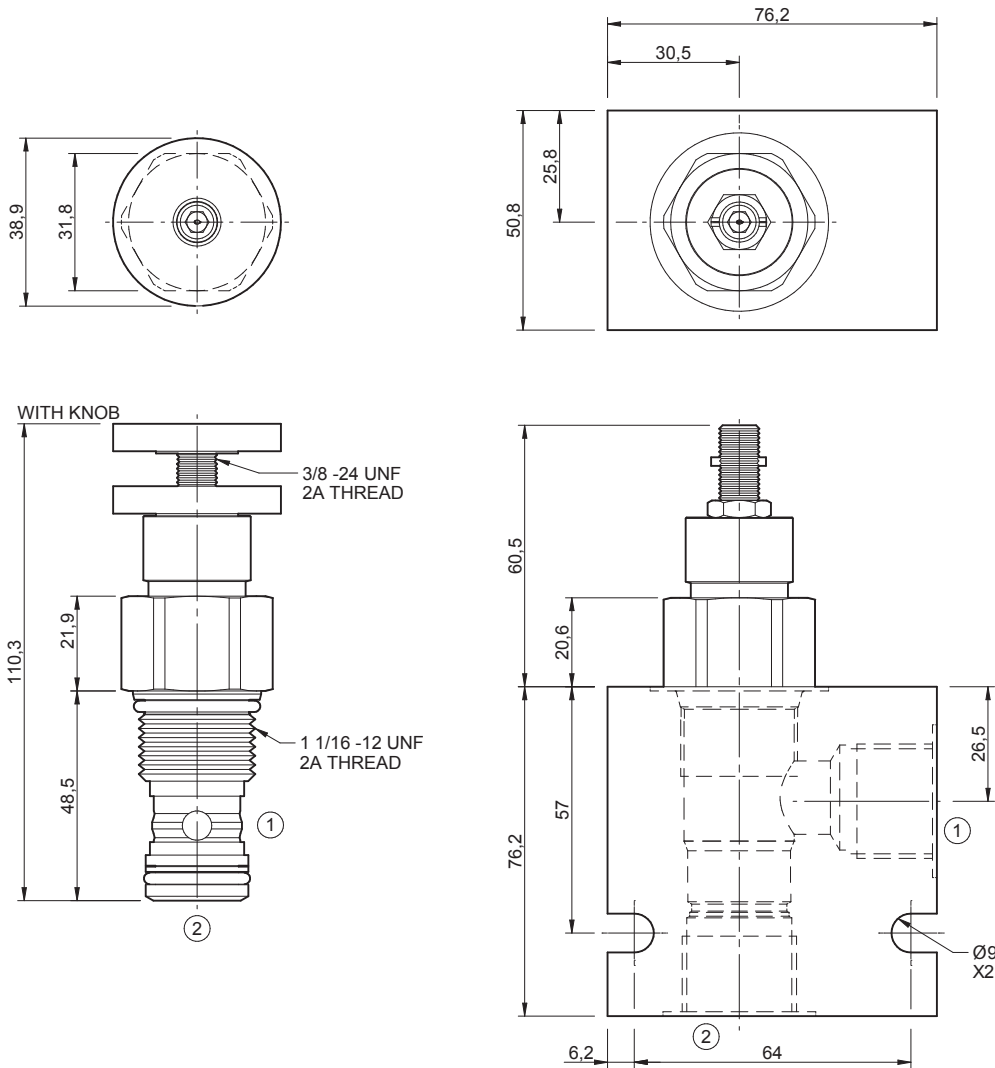
32 cSc / 38°C.



Specifications

Nom. Flow (lpm)	76
Max. Pressure (bar)	345
Hydraulic Oil	General purpose hydraulic fluid
Viscosity Range	3 to 640 cSt
Filtration	ISO 18/16/13
Operating Temp.	-40 to 120°C
Cartridge Torque	95 Nm
Cavity	TT12-2 (see cavity data page CAV-TT12-2)
Spare Seal Kit (Viton)	SK-DTTVHA
Weight - Valve only	0.33 kg
Weight - Valve + Body	0.91 kg (alum) 1.99 kg (steel)

Dimensions
[mm]



Ordering Code

D-HTFCA

*** * ***

Options
00 - Nitrile
V0 - Viton
0K - Nitrile, Knob
VK - Viton, Knob

Flow
Note: Standard valve adjusts from 0 to 75 lpm.

Port size (BSP)
C - 1/2"
D - 3/4"
Options - See page B-DDE

No. of ports
2 - 2 ports
Options - See page B-DDE

Body material
A - Aluminium
S - Steel
For pressures over 210 bar use steel.

Knob Part No.
PT-KN22020049