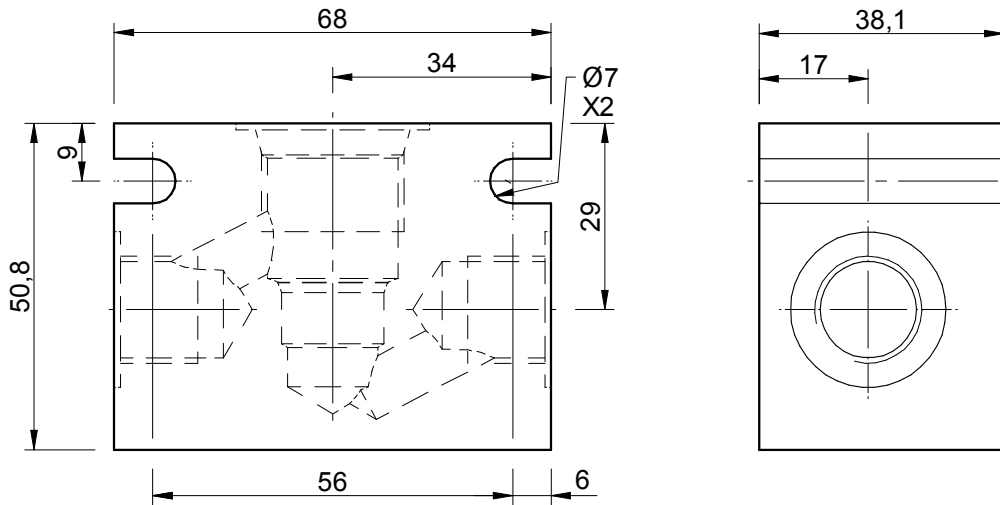


Cavity: CAV-DE10-2 (7/8 - 14 UNF).

Port Size
3/8 BSP



Ordering Code

B-DDE

B | 2L | *

Port size (BSP)	No. of ports	Body material
B - 3/8"	2L - 2 ports, inline.	A - Aluminium
		S - Steel