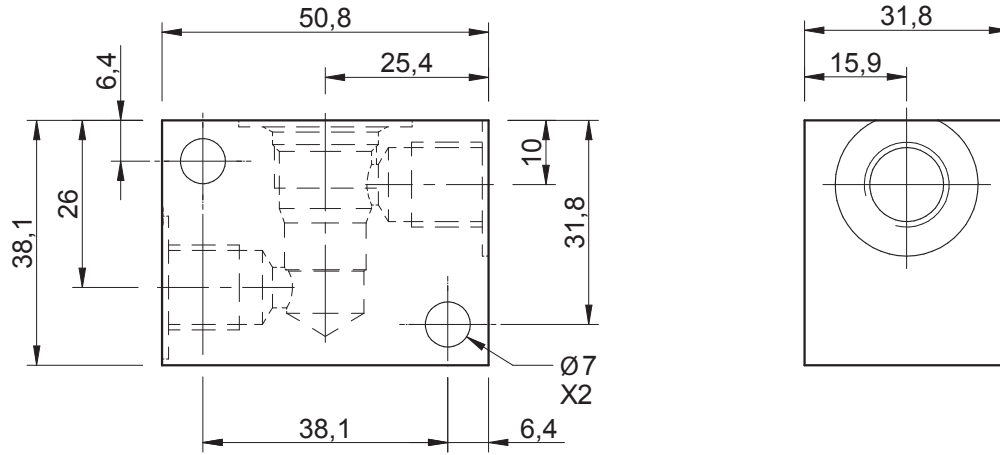


Cavity: CAV-MA07-2 (5/8 - 18 UNF).

Port Size

1/4 BSP



Ordering Code

B-DMA

A | 2L | *

