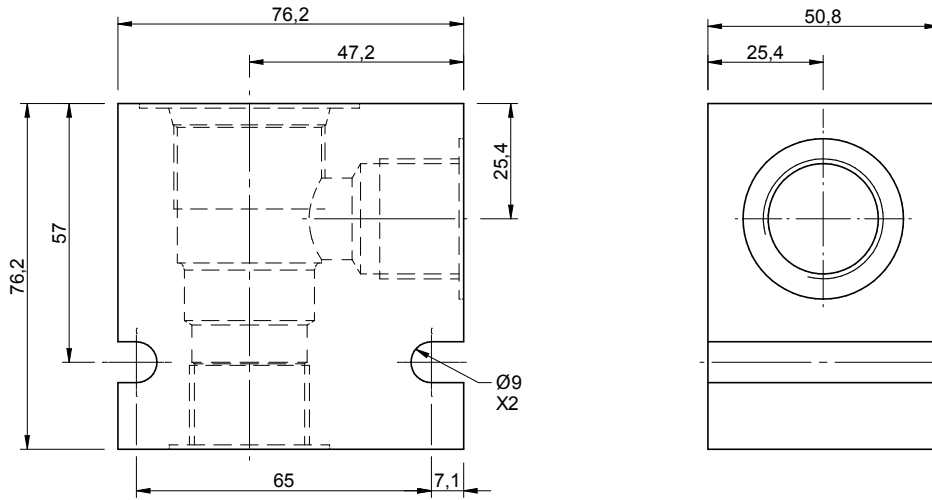
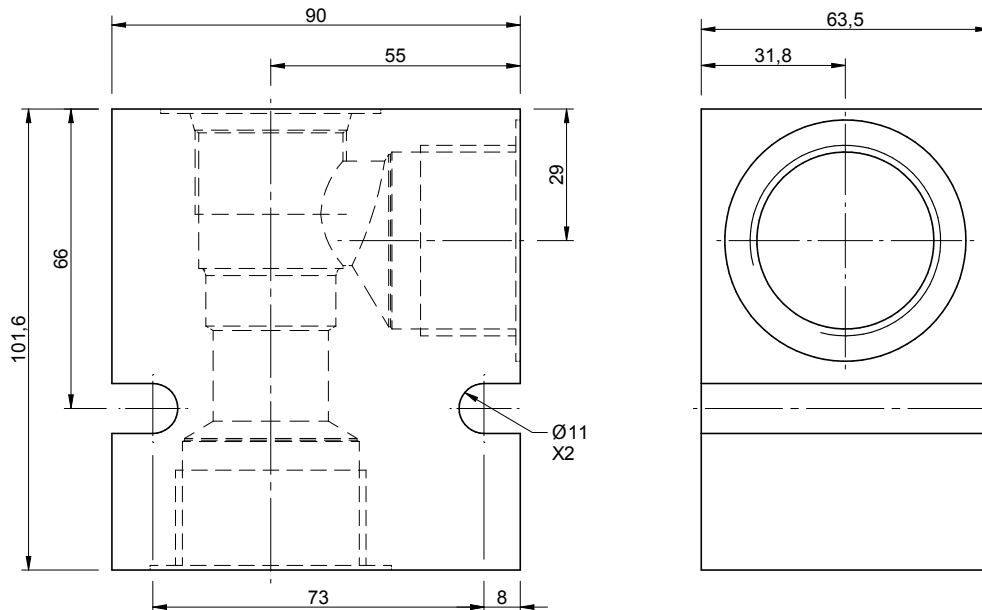


Cavity: CAV-SJ16-2 (1 5/16 - 12 UNF).

Port Size
3/4 & 1 BSP



Port Size
1 1/4 BSP



Ordering Code

B-DSJ

