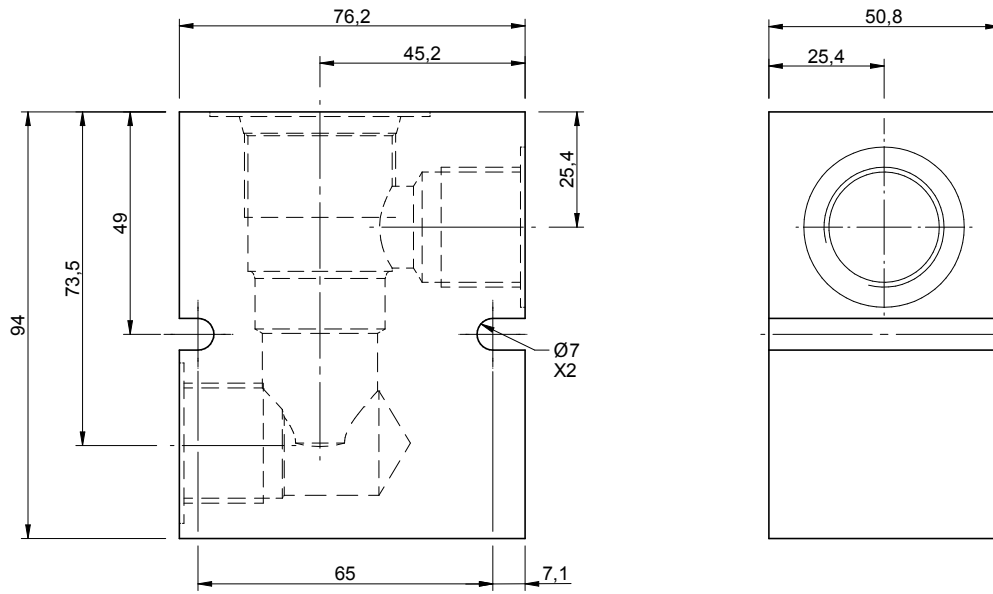
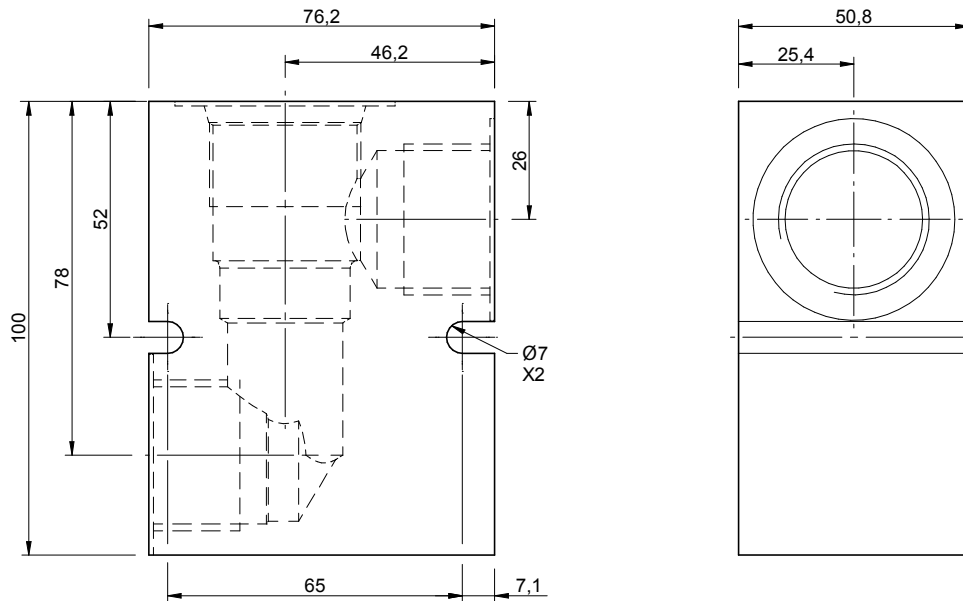


Cavity: CAV-SJ16-2 (1 5/16 - 12 UNF).

Port Size
3/4 BSP



Port Size
1 BSP



Ordering Code

B-DSJ

*** 2L ***

Port size (BSP)	No. of ports	Body material
D - 3/4	2L - 2 ports, inline	A - Aluminium
E - 1		S - Steel