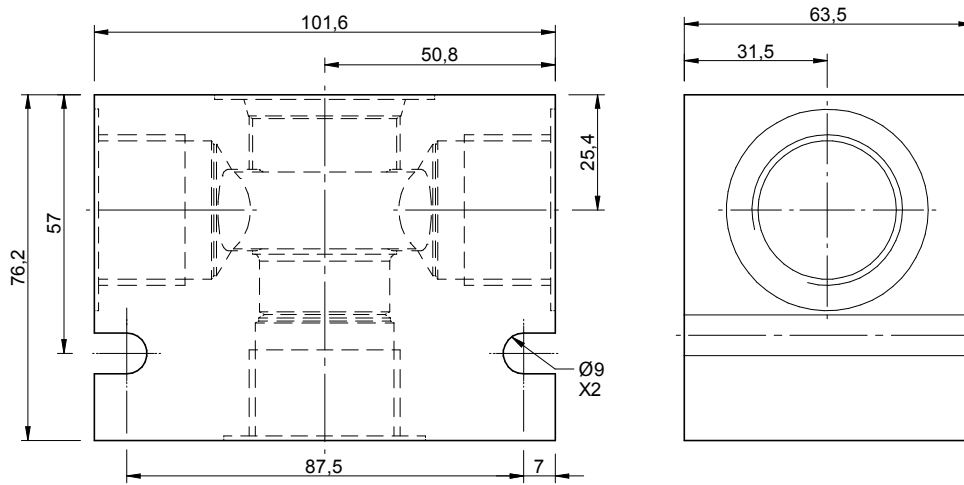


Cavity: CAV-SJ16-2 (1 5/16 - 12 UNF).

Port Size

1 BSP



Ordering Code

B-DSJ

