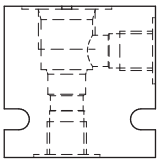
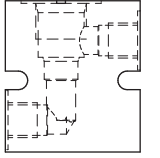
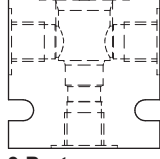
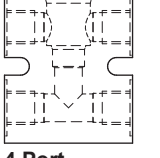
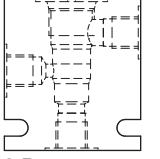
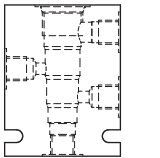
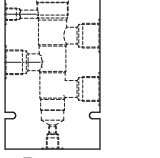
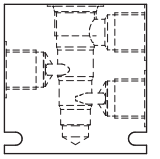


## Cartridge Valve Bodies

Standard Options

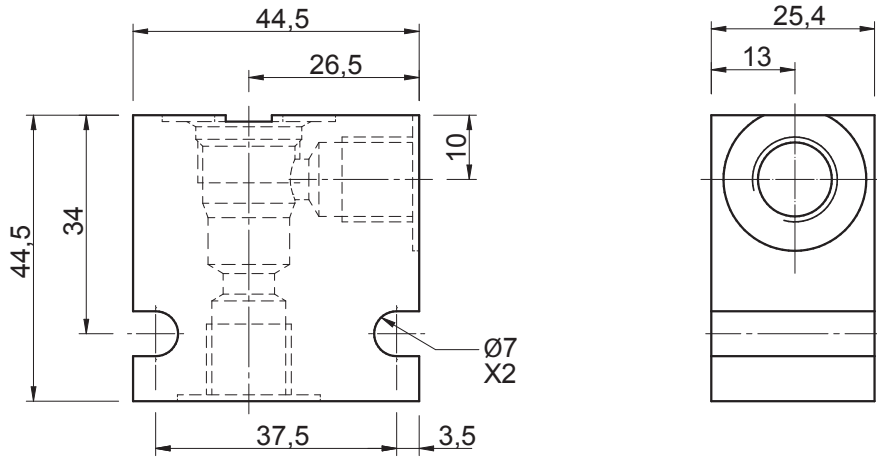
Type	Model (Ref)	Size	Ports	Port Size (BSP)	Page	Web Link
<b>2 Way</b>  <b>2 Port</b>  <b>2 Port Inline</b>  <b>3 Port</b>  <b>4 Port</b>	MA	07	2	1/4	<a href="#">P3</a>	<a href="#">🔗</a>
			2L	<u>1/4</u>	<a href="#">P4</a>	<a href="#">🔗</a>
	PB	08	2	<u>1/4 - 3/8</u>	<a href="#">P5</a>	<a href="#">🔗</a>
			2L	1/4 - 3/8	<a href="#">P6</a>	<a href="#">🔗</a>
			3	1/4 - 3/8	<a href="#">P7</a>	<a href="#">🔗</a>
			4	1/4 - 3/8	<a href="#">P8</a>	<a href="#">🔗</a>
	DE	10	2	<u>3/8 - 1/2 - 3/4</u>	<a href="#">P9</a>	<a href="#">🔗</a>
			2L	3/8	<a href="#">P10</a>	<a href="#">🔗</a>
			3	<u>3/8 - 1/2 - 3/4</u>	<a href="#">P11</a>	<a href="#">🔗</a>
	HT	12	4	3/8 - 1/2	<a href="#">P12</a>	<a href="#">🔗</a>
			2	<u>1/2 - 3/4 - 1</u>	<a href="#">P13</a>	<a href="#">🔗</a>
	SJ	16	3	1/2	<a href="#">P14</a>	<a href="#">🔗</a>
			2	<u>3/4 - 1 - 1 1/4</u>	<a href="#">P15</a>	<a href="#">🔗</a>
			2L	3/4 - 1	<a href="#">P16</a>	<a href="#">🔗</a>
			2L	1 1/4	<a href="#">P17</a>	<a href="#">🔗</a>
3			3/4 - 1	<a href="#">P18</a>	<a href="#">🔗</a>	
3U			1	<a href="#">P19</a>	<a href="#">🔗</a>	
4	3/4 - 1	<a href="#">P20</a>	<a href="#">🔗</a>			
<b>3 Way</b>  <b>3 Port</b>	MC	07	3	<u>1/4</u>	<a href="#">P21</a>	<a href="#">🔗</a>
	PP	08	3	<u>1/4 - 3/8</u>	<a href="#">P22</a>	<a href="#">🔗</a>
	DF	10	3	<u>1/4 - 3/8 - 1/2</u>	<a href="#">P23</a>	<a href="#">🔗</a>
	TR	12 short	3	1/2 - 3/4	<a href="#">P24</a>	<a href="#">🔗</a>
	HU	12	3	<u>1/2</u>	<a href="#">P25</a>	<a href="#">🔗</a>
	SK	16	3	<u>1/2 - 3/4 - 1</u>	<a href="#">P26</a>	<a href="#">🔗</a>
	SL	16 short	3	3/4 - 1	<a href="#">P27</a>	<a href="#">🔗</a>
<b>4 Way</b>  <b>4 Port</b>	MD	07	4	<u>1/4</u>	<a href="#">P28</a>	<a href="#">🔗</a>
	PQ	08	4	<u>1/4 - 3/8</u>	<a href="#">P29</a>	<a href="#">🔗</a>
	DG	10	4	<u>1/4 - 3/8 - 1/2</u>	<a href="#">P30</a>	<a href="#">🔗</a>
	HV	12	4	1/2 - 3/4	<a href="#">P31</a>	<a href="#">🔗</a>
<b>5 Way</b>  <b>5 Port</b>	SO	16	5	1/2 - 3/4 - 1	<a href="#">P32</a>	<a href="#">🔗</a>
<b>Flow Divider</b>  <b>3 Port</b>	DG	10	3	1/4 - 3/8 - 1/2	<a href="#">P33</a>	<a href="#">🔗</a>
	SN	16	3	1/2 - <u>3/4</u> - 1	<a href="#">P34</a>	<a href="#">🔗</a>

**Underlined Port Sizes** (e.g. 1/4) = Normally stocked in aluminium (steel option available).

Cavity: CAV-MA07-2 (5/8 - 18 UNF).

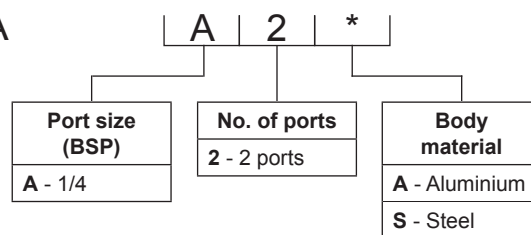
**Port Size**

1/4 BSP



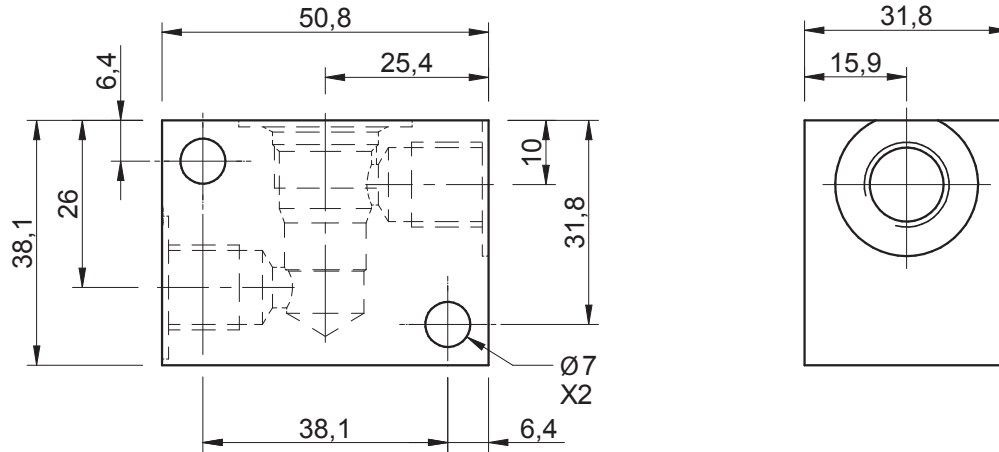
**Ordering Code**

B-DMA



**Port Size**

1/4 BSP



**Ordering Code**

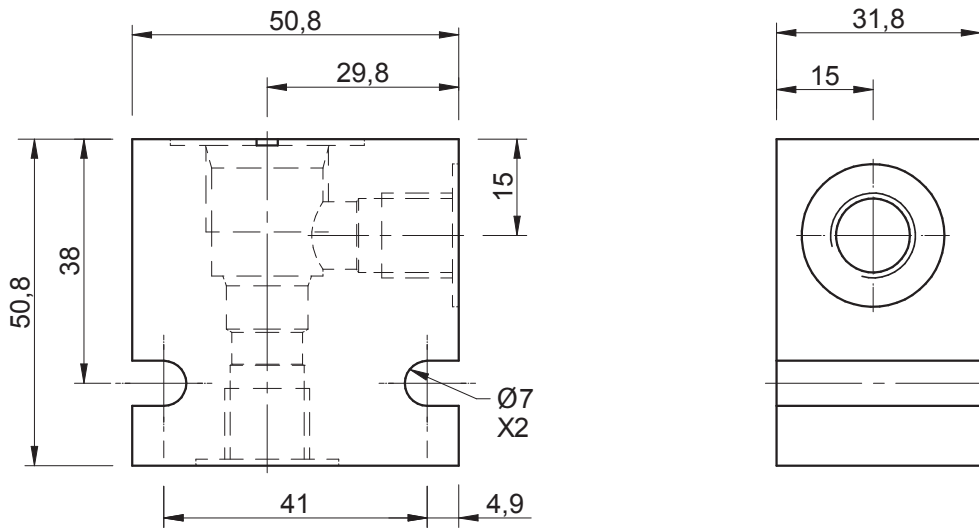
**B-DMA**

**A | 2L | \***

Port size (BSP)	No. of ports	Body material
A - 1/4	2L - 2 ports, inline.	A - Aluminium
		S - Steel

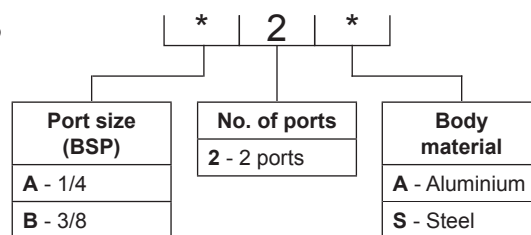
Cavity: CAV-PB08-2 (3/4 - 16 UNF).

**Port Size**  
1/4 & 3/8 BSP



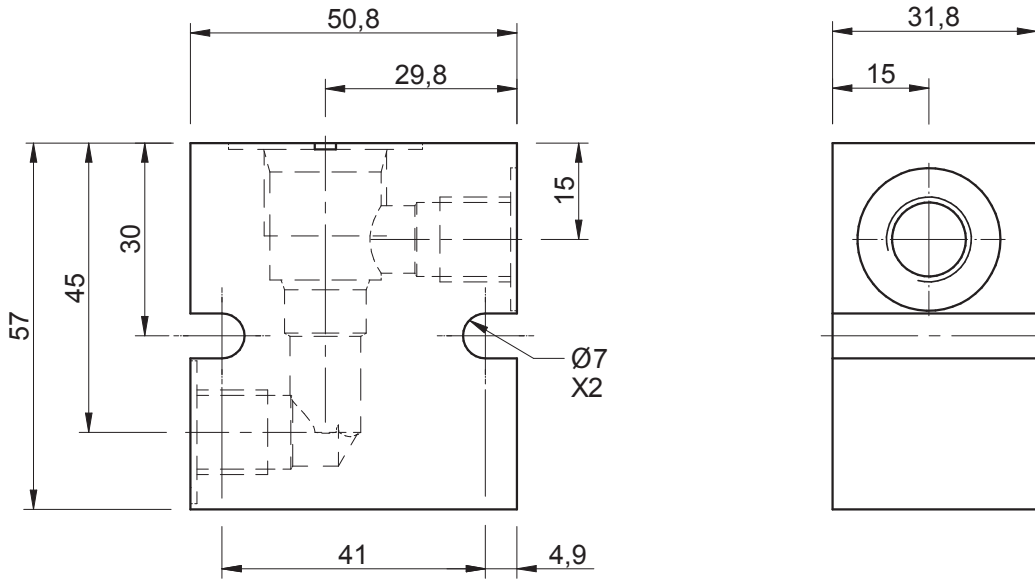
**Ordering Code**

**B-DPB**

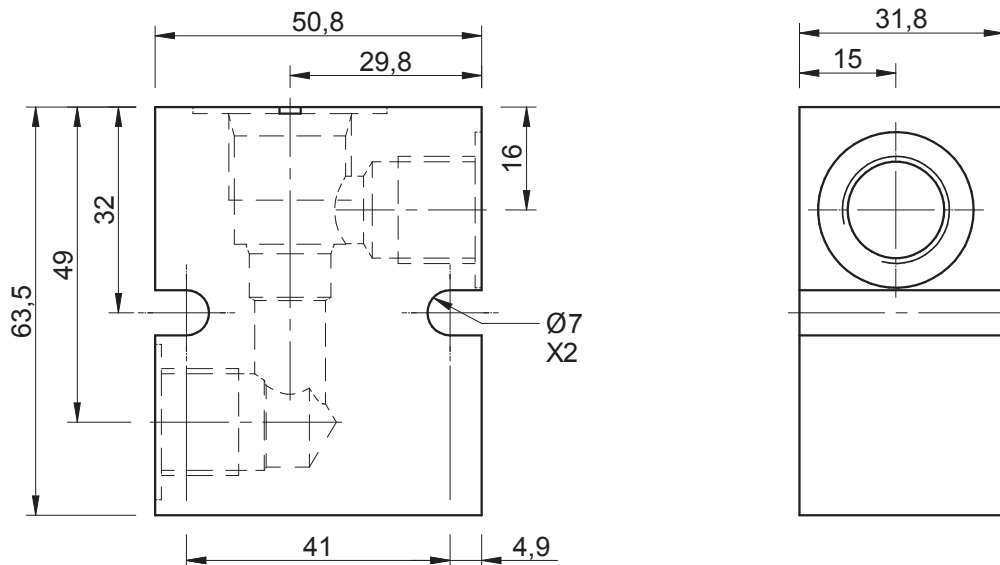


Cavity: CAV-PB08-2 (3/4 - 16 UNF).

**Port Size**  
1/4 BSP

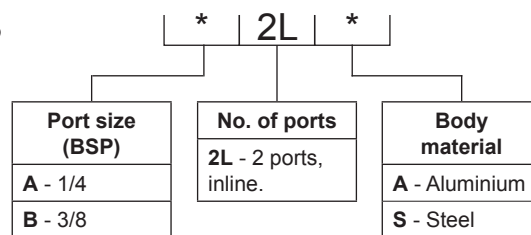


**Port Size**  
3/8 BSP



**Ordering Code**

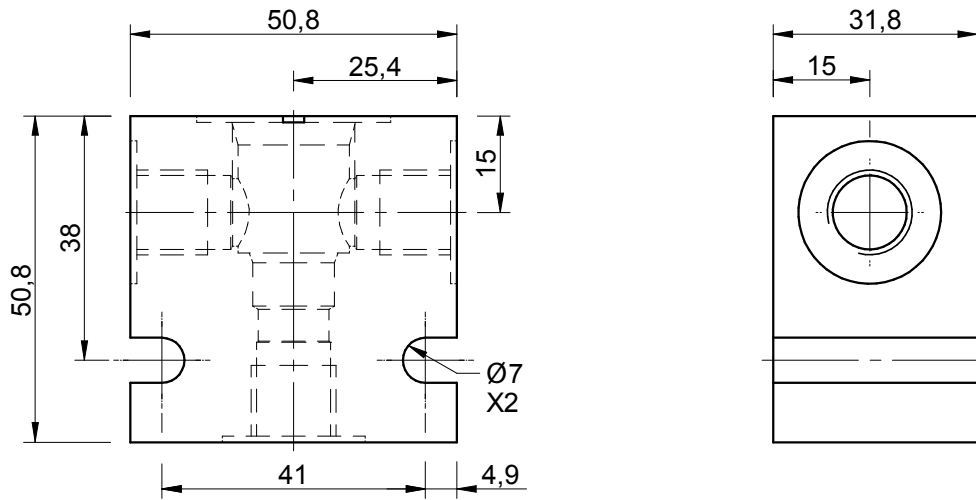
**B-DPB**



Cavity: CAV-PB08-2 (3/4 - 16 UNF).

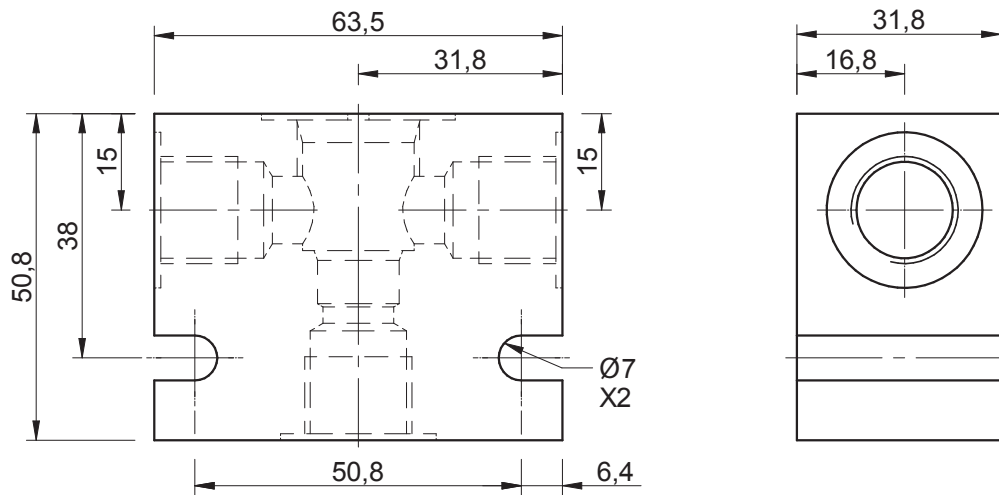
**Port Size**

1/4 BSP



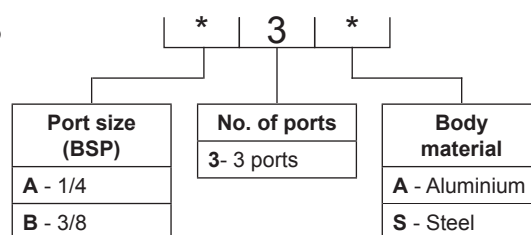
**Port Size**

3/8 BSP



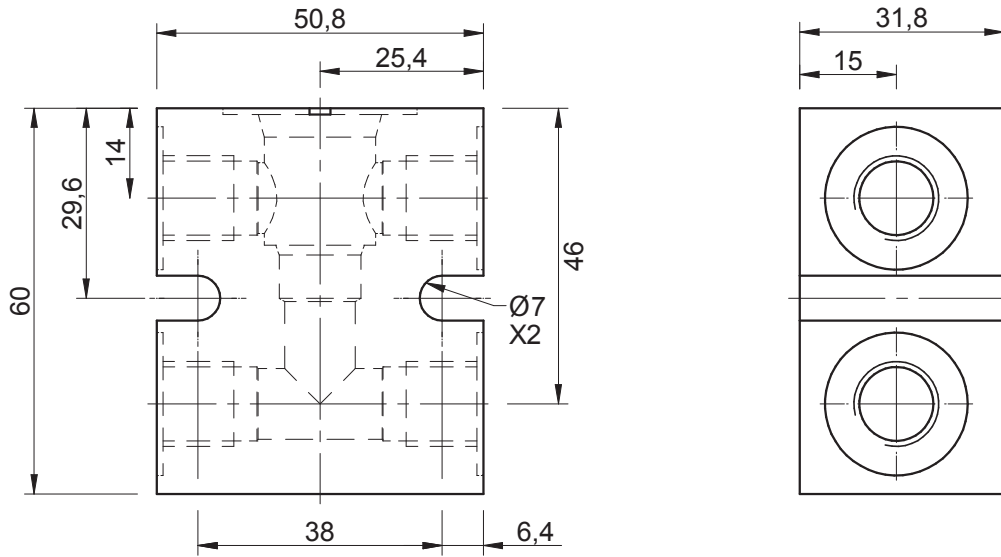
**Ordering Code**

**B-DPB**

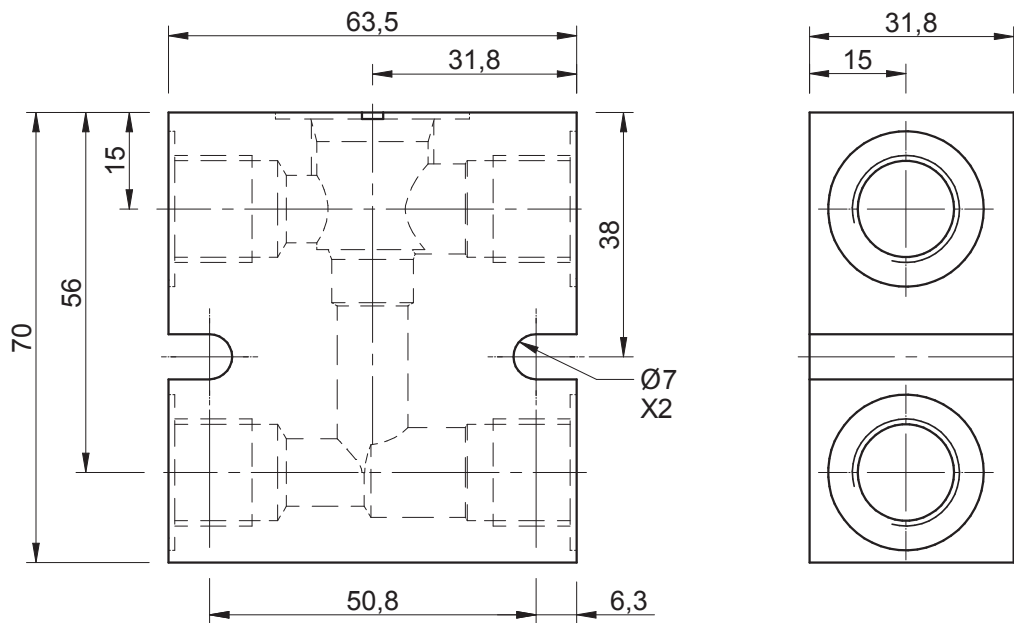


Cavity: CAV-PB08-2 (3/4 - 16 UNF).

**Port Size**  
1/4 BSP

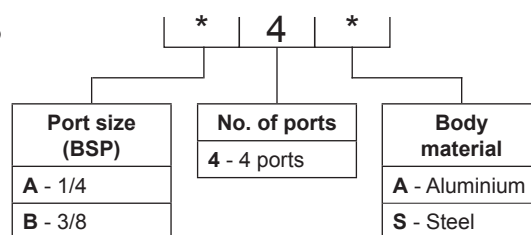


**Port Size**  
3/8 BSP



**Ordering Code**

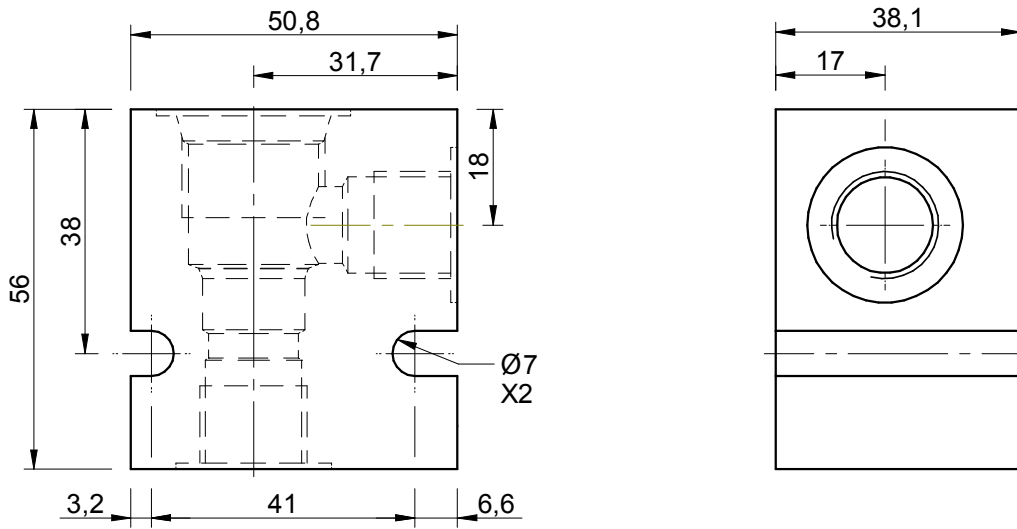
**B-DPB**



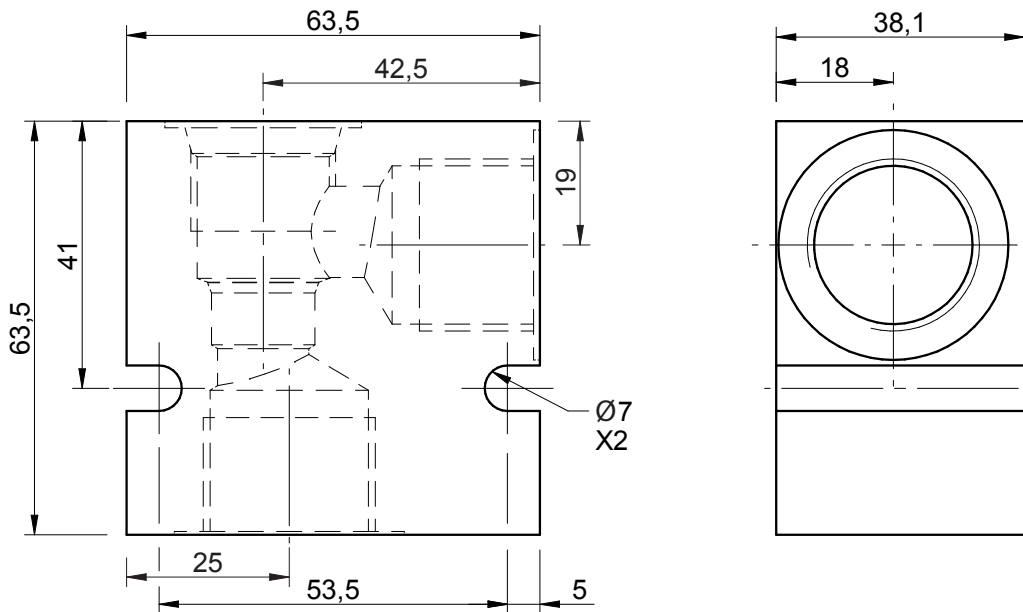


Cavity: CAV-DE10-2 (7/8 - 14 UNF).

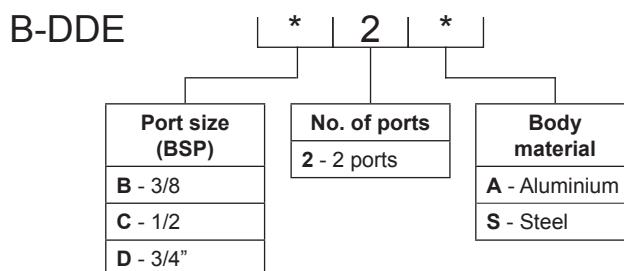
**Port Size**  
3/8 & 1/2 BSP



**Port Size**  
3/4 BSP

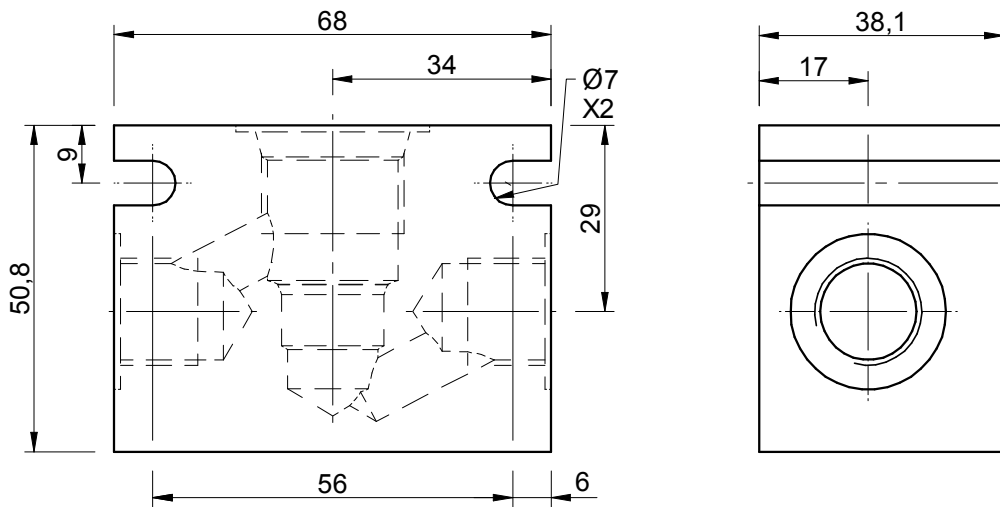


**Ordering Code**



Cavity: CAV-DE10-2 (7/8 - 14 UNF).

**Port Size**  
3/8 BSP



**Ordering Code**

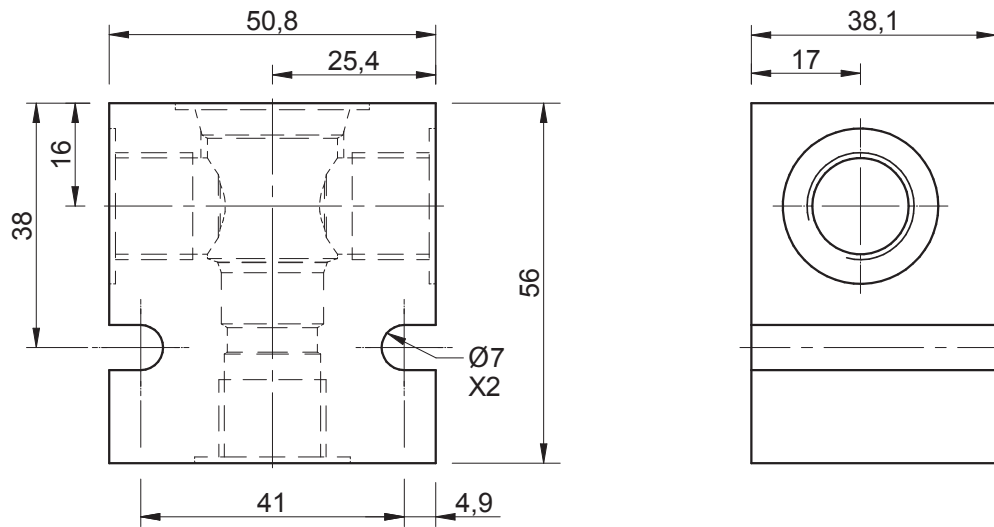
**B-DDE**

**B | 2L | \***

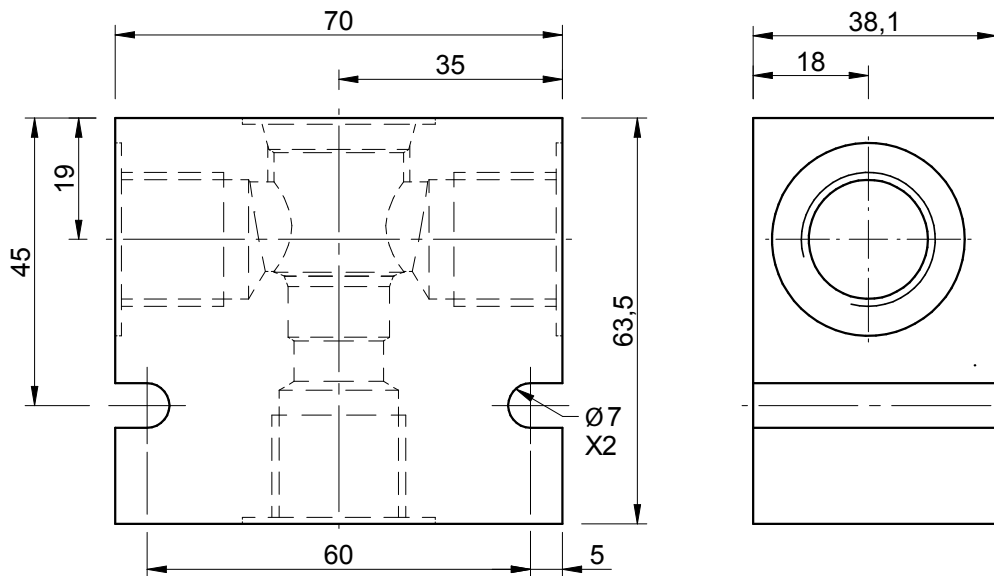
Port size (BSP)	No. of ports	Body material
<b>B</b> - 3/8"	<b>2L</b> - 2 ports, inline.	<b>A</b> - Aluminium
		<b>S</b> - Steel

Cavity: CAV-DE10-2 (7/8 - 14 UNF).

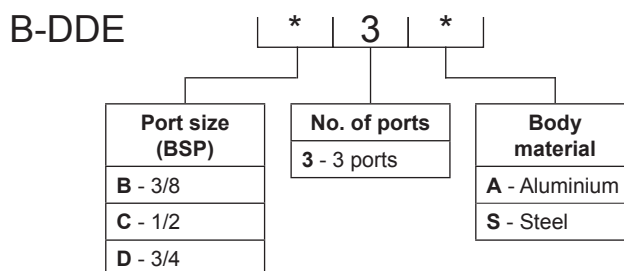
**Port Size**  
3/8 BSP



**Port Size**  
1/2 & 3/4 BSP

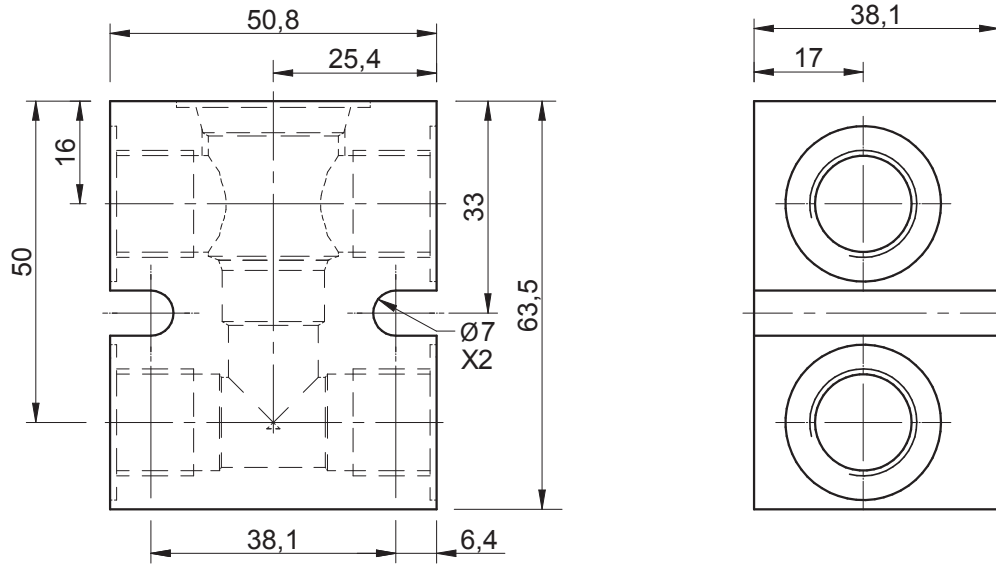


**Ordering Code**

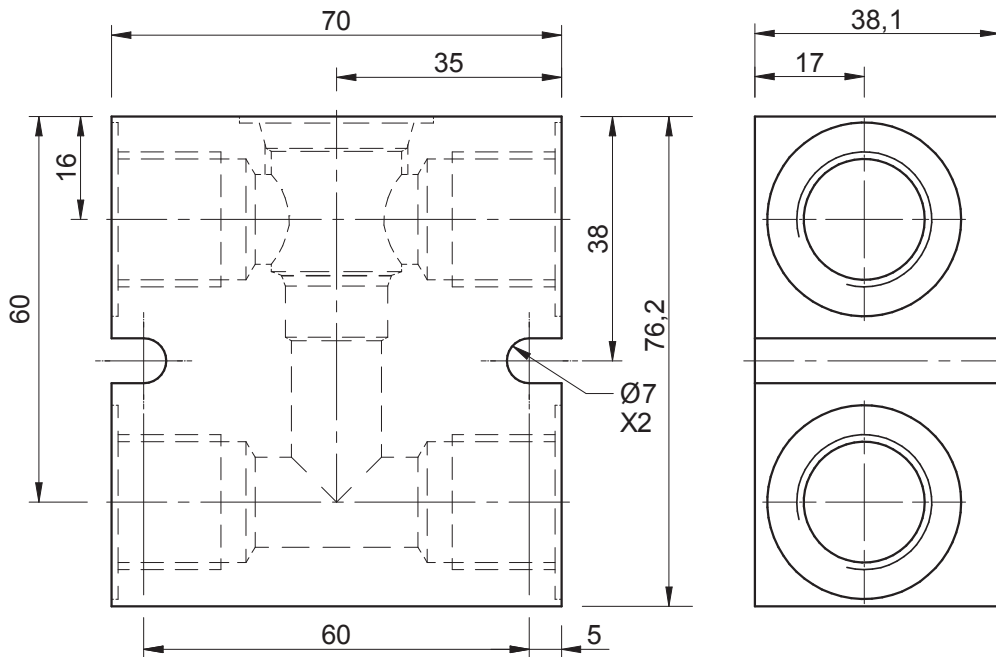


Cavity: CAV-DE10-2 (7/8 - 14 UNF).

**Port Size**  
3/8 BSP

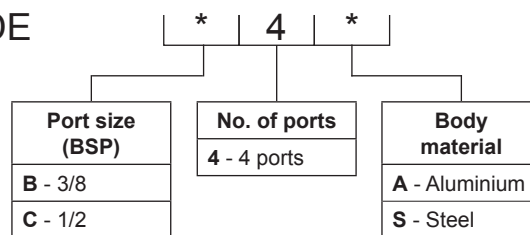


**Port Size**  
1/2 BSP



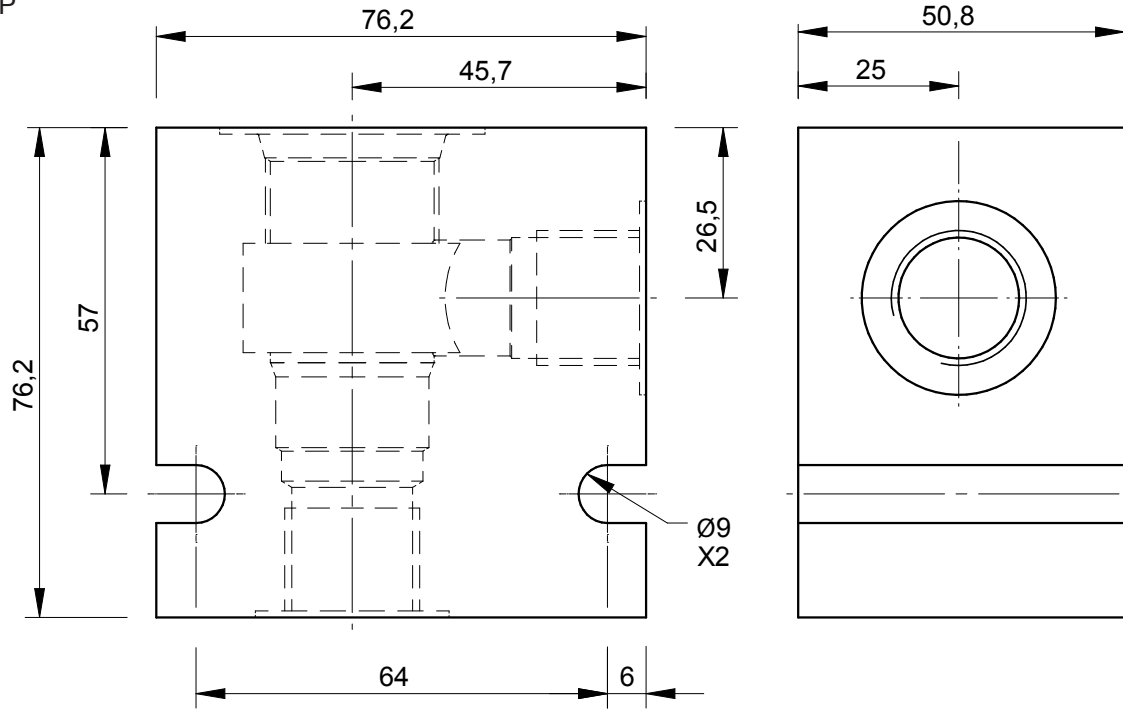
**Ordering Code**

**B-DDE**



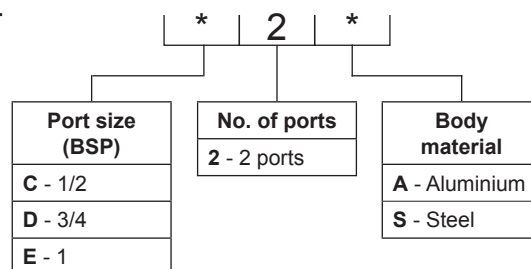
**Port Size**

1/2, 3/4 & 1 BSP



**Ordering Code**

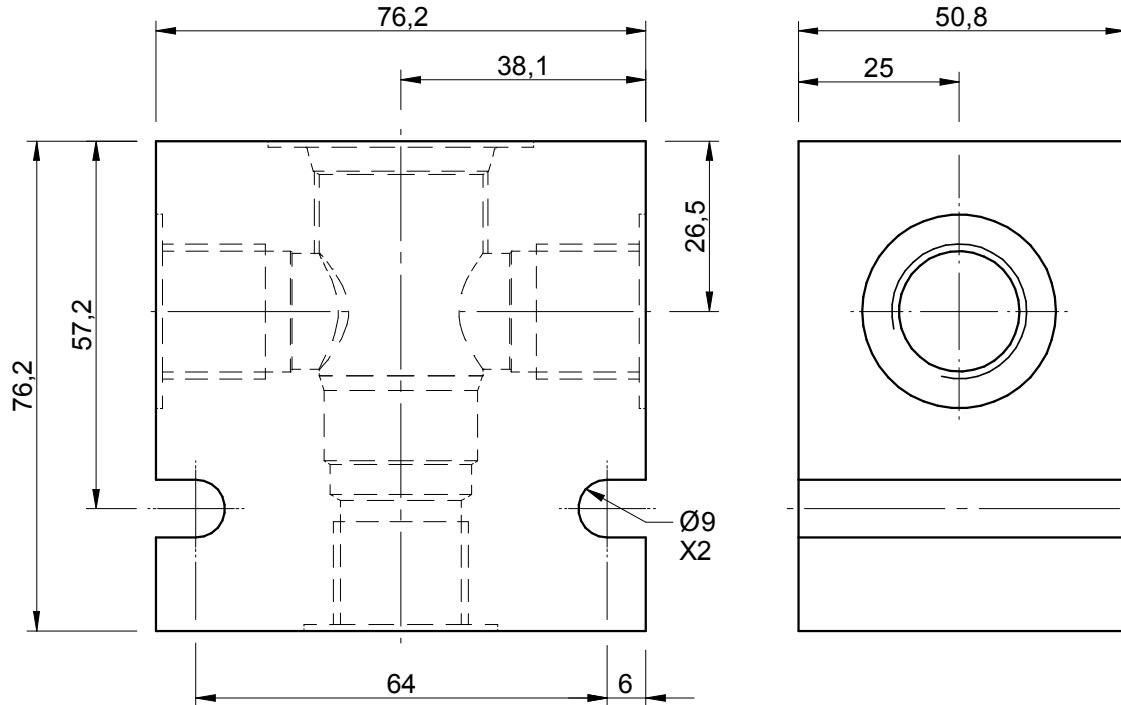
B-DHT



Cavity: CAV-TT12-2 (1 1/16 - 12 UNF).

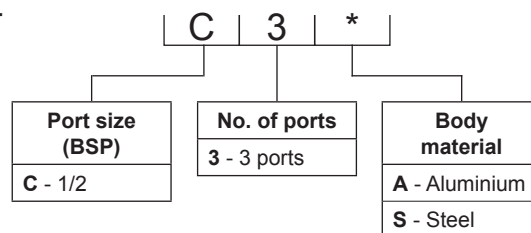
**Port Size**

1/2 BSP



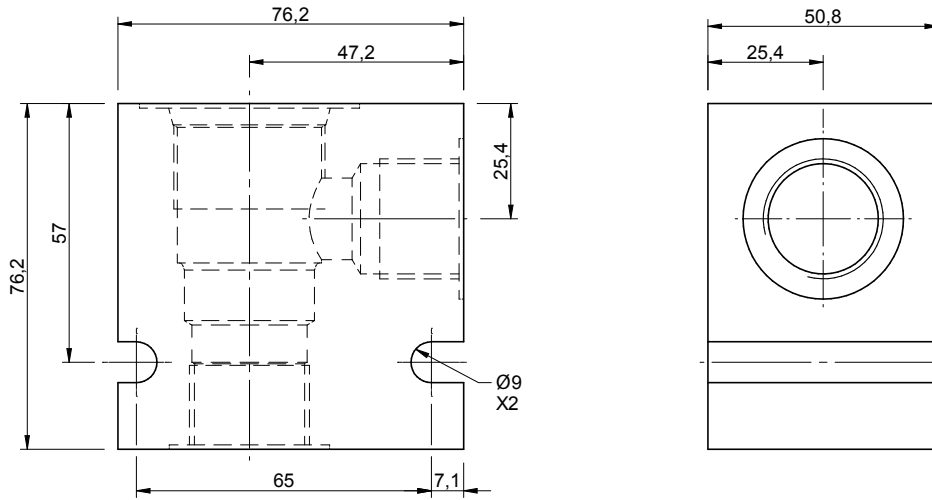
**Ordering Code**

**B-DHT**

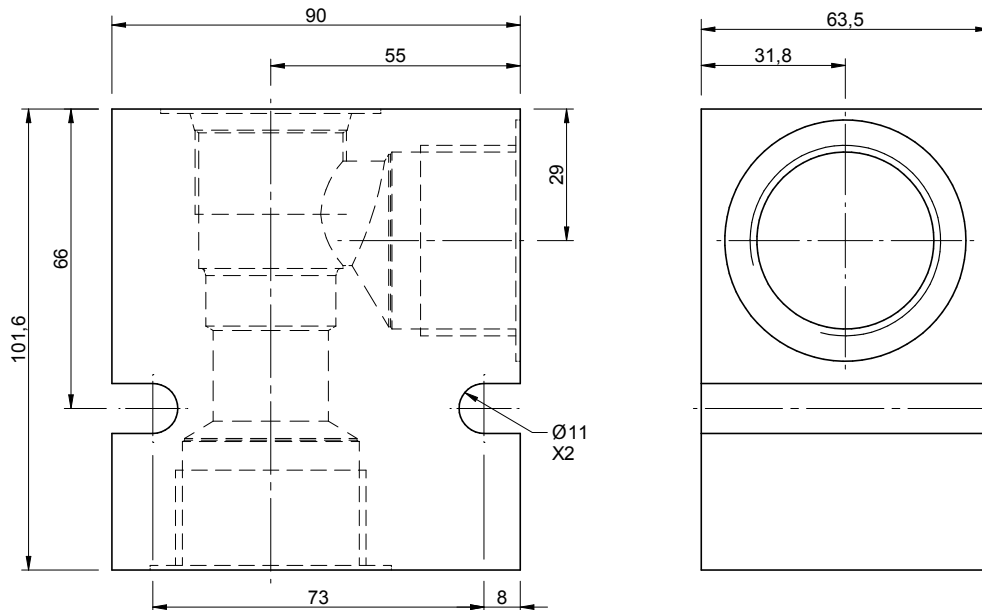


Cavity: CAV-SJ16-2 (1 5/16 - 12 UNF).

**Port Size**  
3/4 & 1 BSP

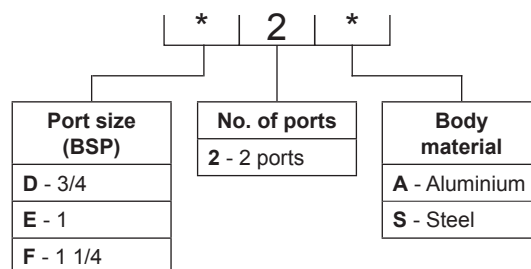


**Port Size**  
1 1/4 BSP



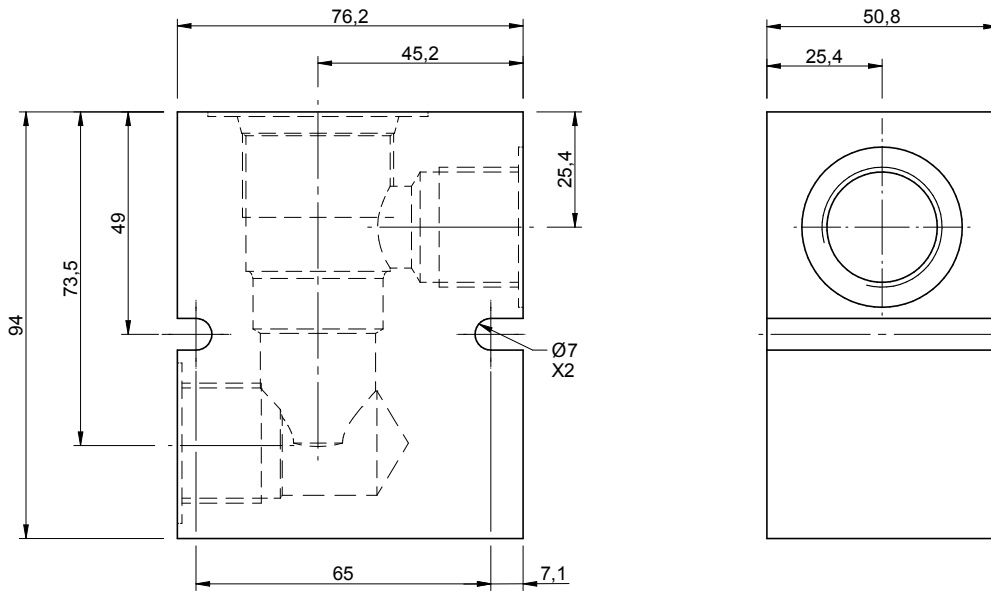
**Ordering Code**

**B-DSJ**

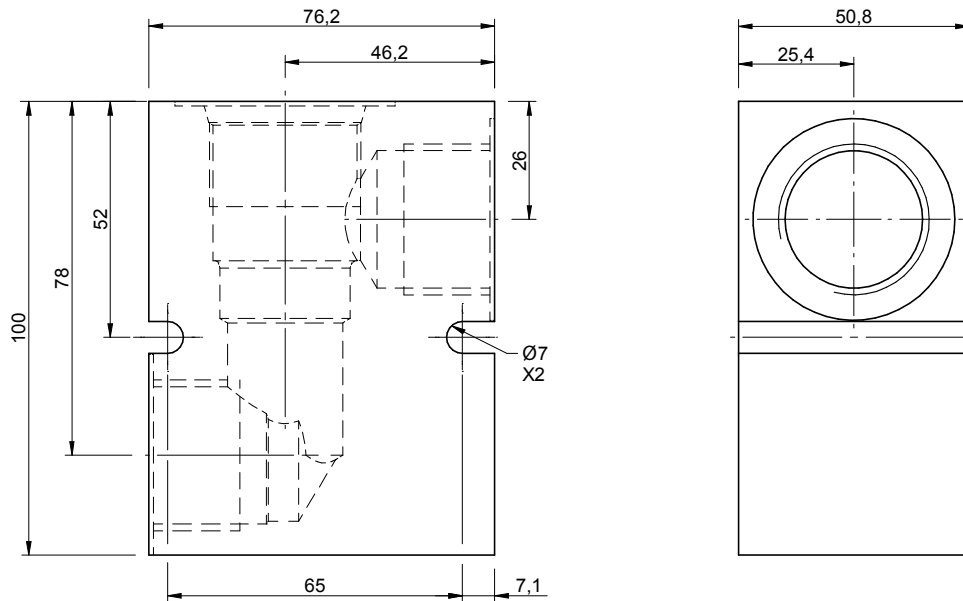


Cavity: CAV-SJ16-2 (1 5/16 - 12 UNF).

**Port Size**  
3/4 BSP

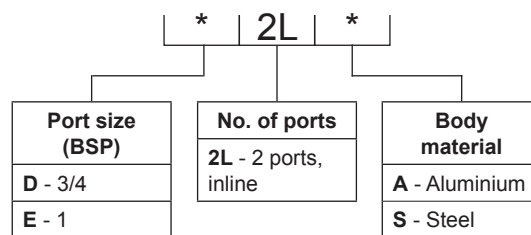


**Port Size**  
1 BSP



**Ordering Code**

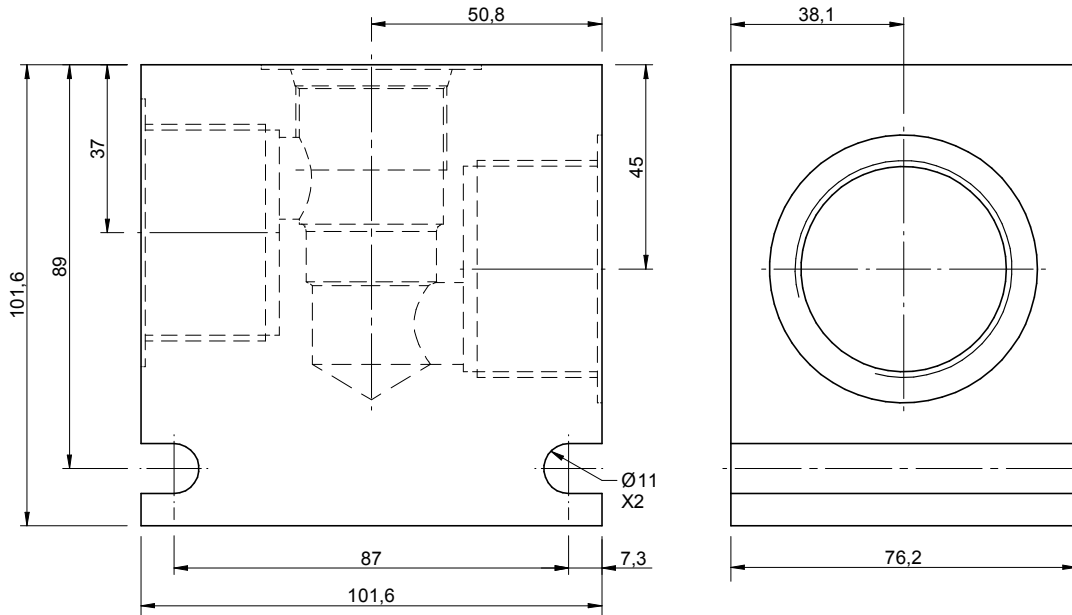
**B-DSJ**





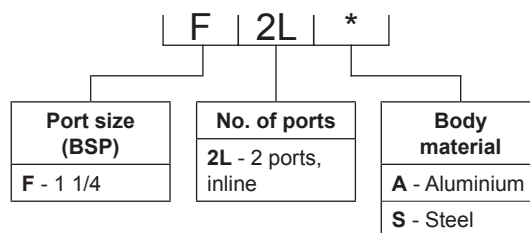
Cavity: CAV-SJ16-2 (1 5/16 - 12 UNF).

**Port Size**  
1 1/4 BSP



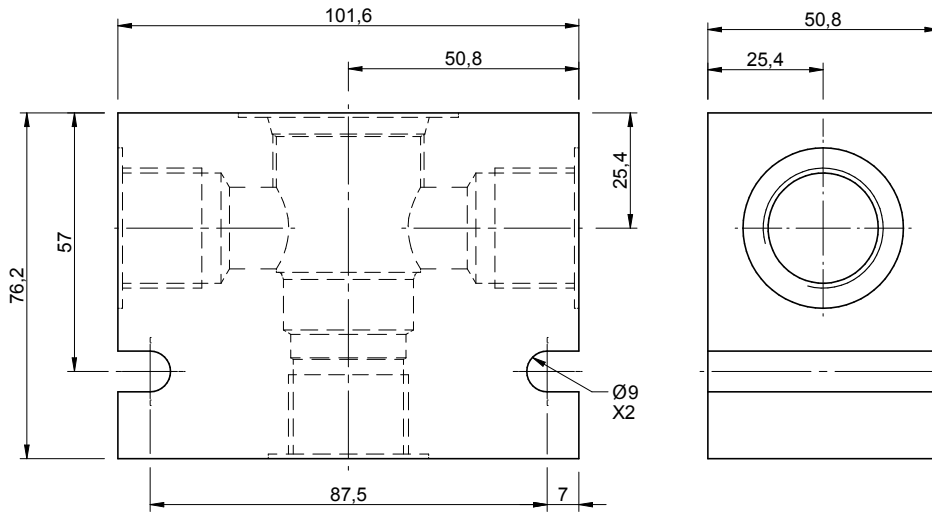
**Ordering Code**

**B-DSJ**



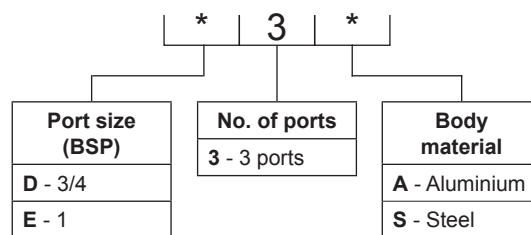
Cavity: CAV-SJ16-2 (1 5/16 - 12 UNF).

**Port Size**  
3/4 & 1 BSP



**Ordering Code**

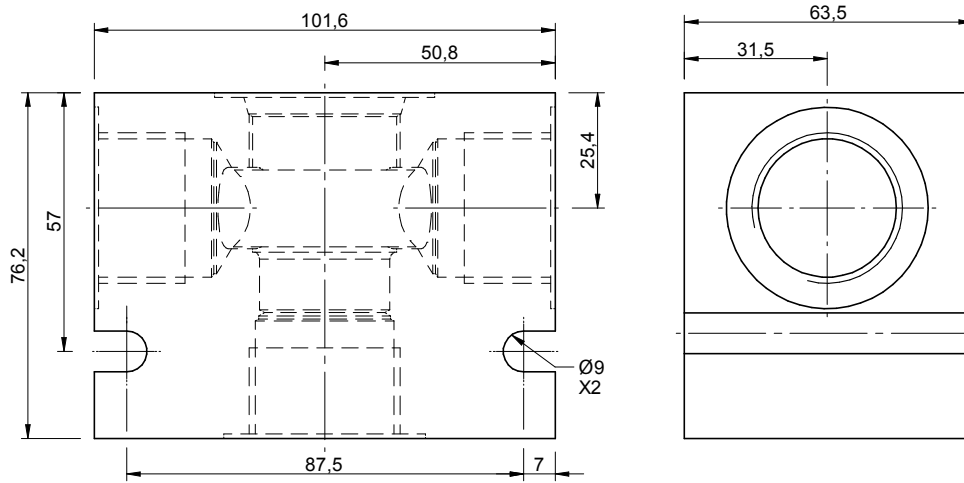
**B-DSJ**



Cavity: CAV-SJ16-2 (1 5/16 - 12 UNF).

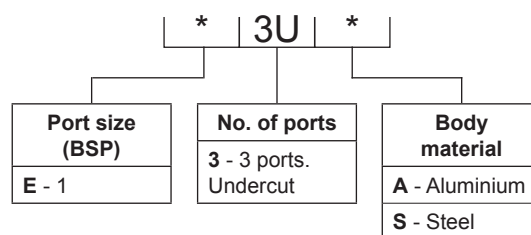
**Port Size**

1 BSP



**Ordering Code**

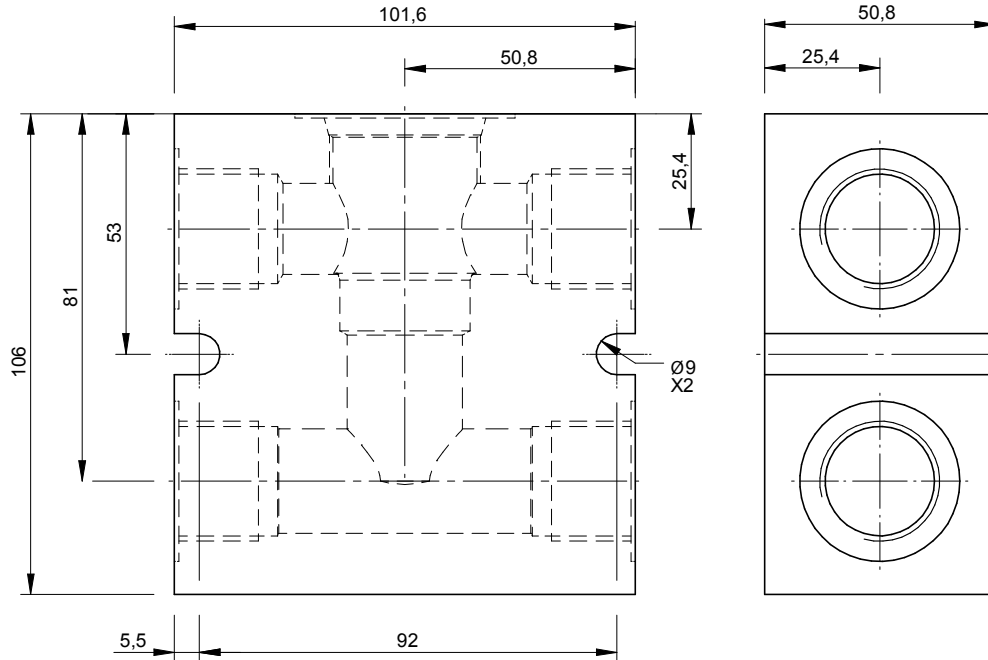
**B-DSJ**



Cavity: CAV-SJ16-2 (1 5/16 - 12 UNF).

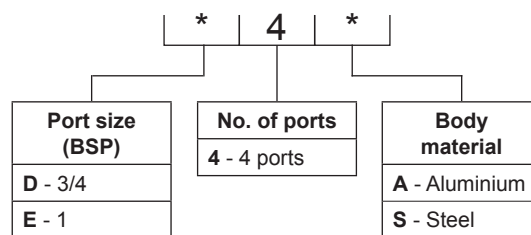
**Port Size**

3/4 & 1 BSP

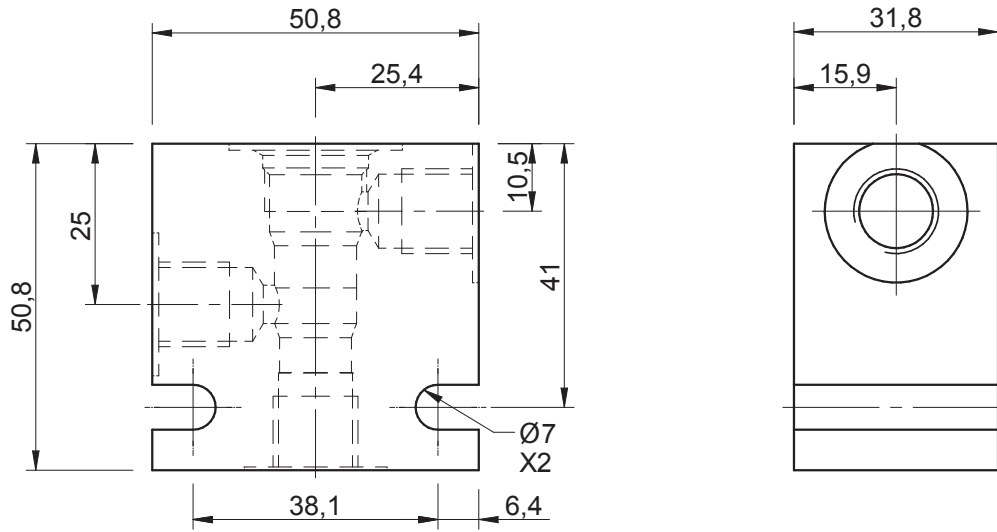


**Ordering Code**

**B-DSJ**

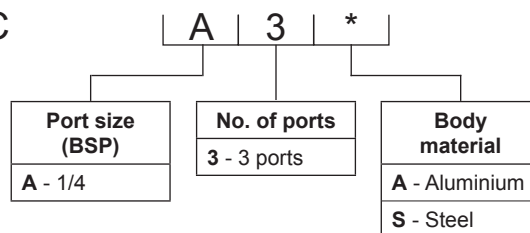


**Port Size**  
1/4 BSP



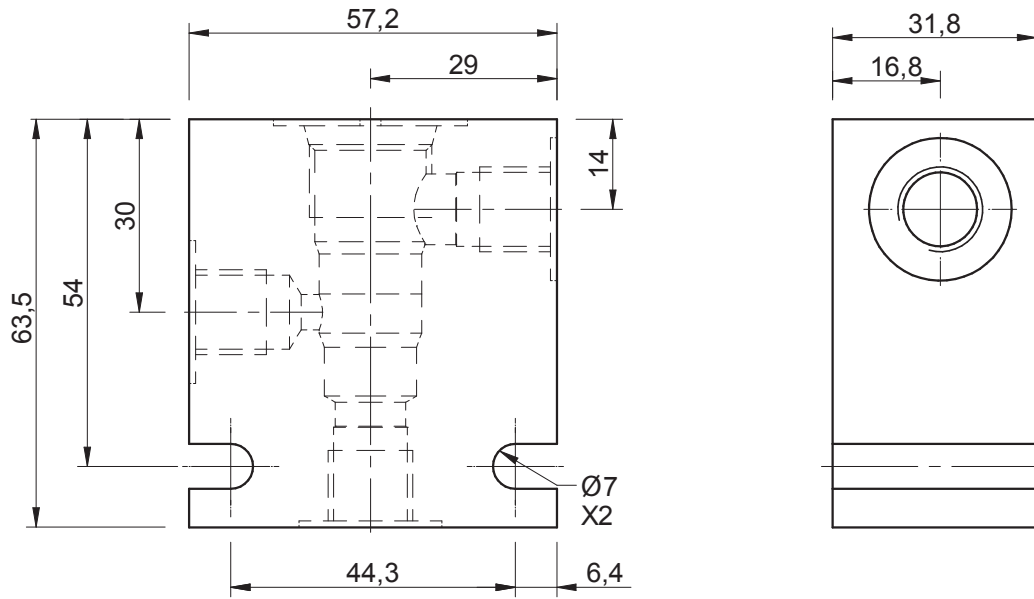
**Ordering Code**

**B-DMC**

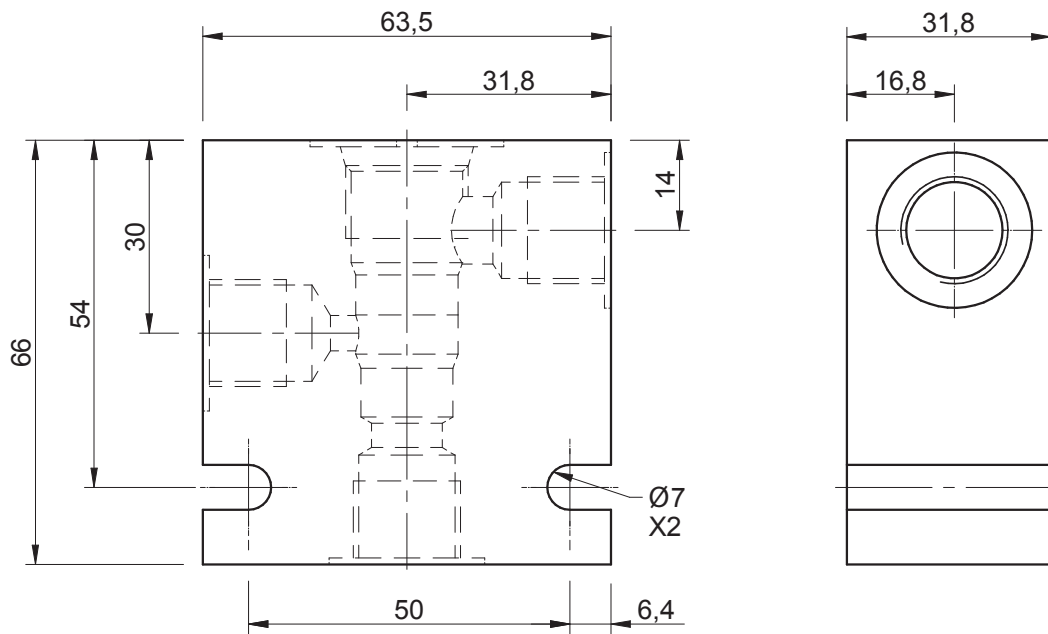


Cavity: CAV-PB08-3 (3/4 - 16 UNF).

**Port Size**  
1/4 BSP

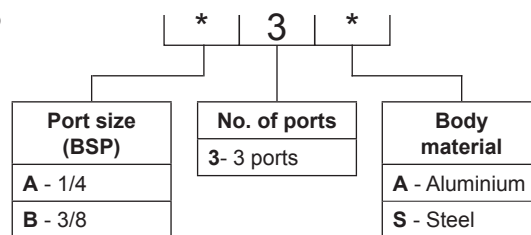


**Port Size**  
3/8 BSP



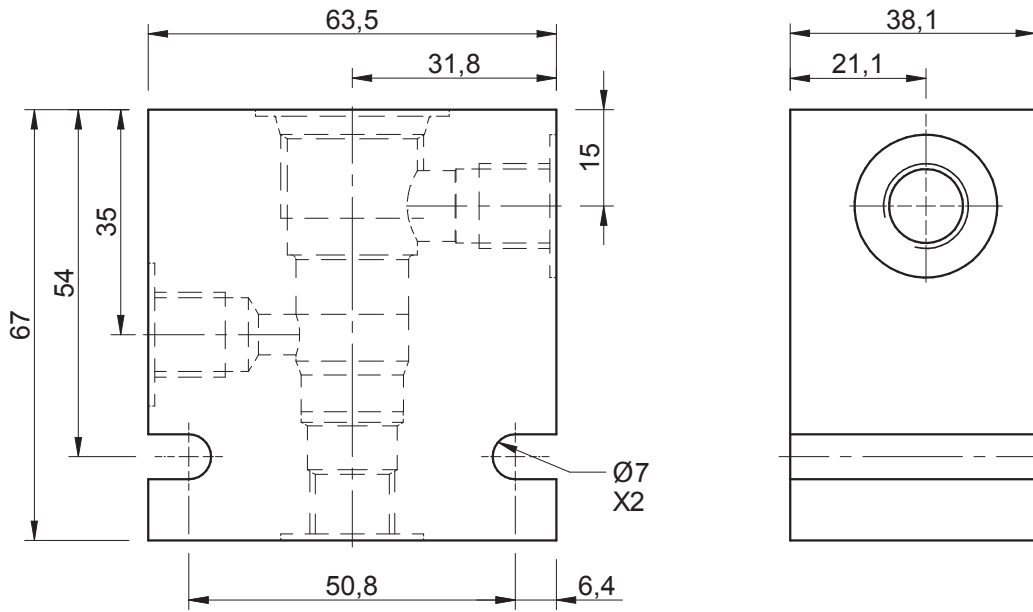
**Ordering Code**

**B-DPP**

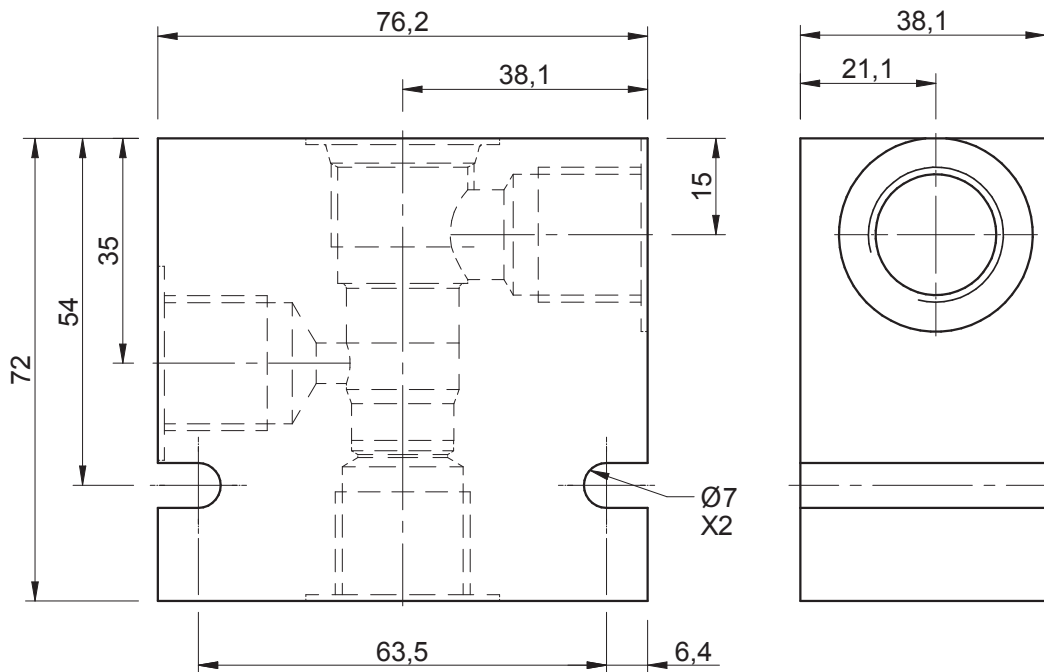


Cavity: CAV-DF10-3 (7/8 - 14 UNF).

**Port Size**  
1/4 & 3/8 BSP

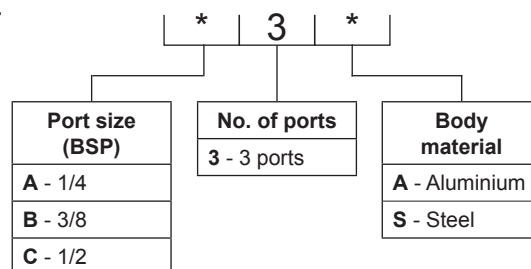


**Port Size**  
1/2 BSP



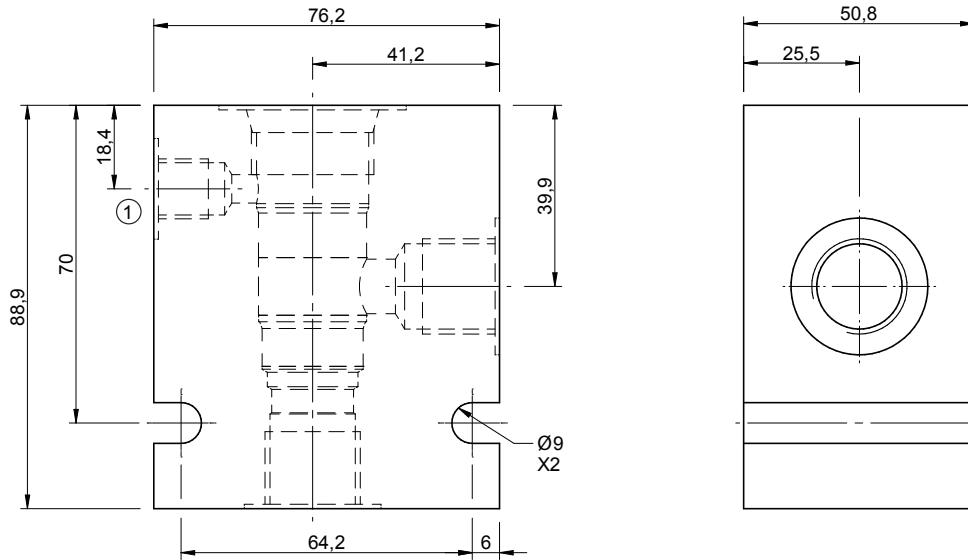
**Ordering Code**

B-DDF



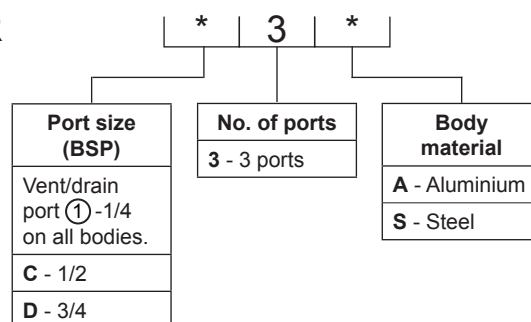
Cavity: CAV-TU12-3 (1 1/16 - 12 UNF).

**Port Size**  
1/2 & 3/4 BSP



**Ordering Code**

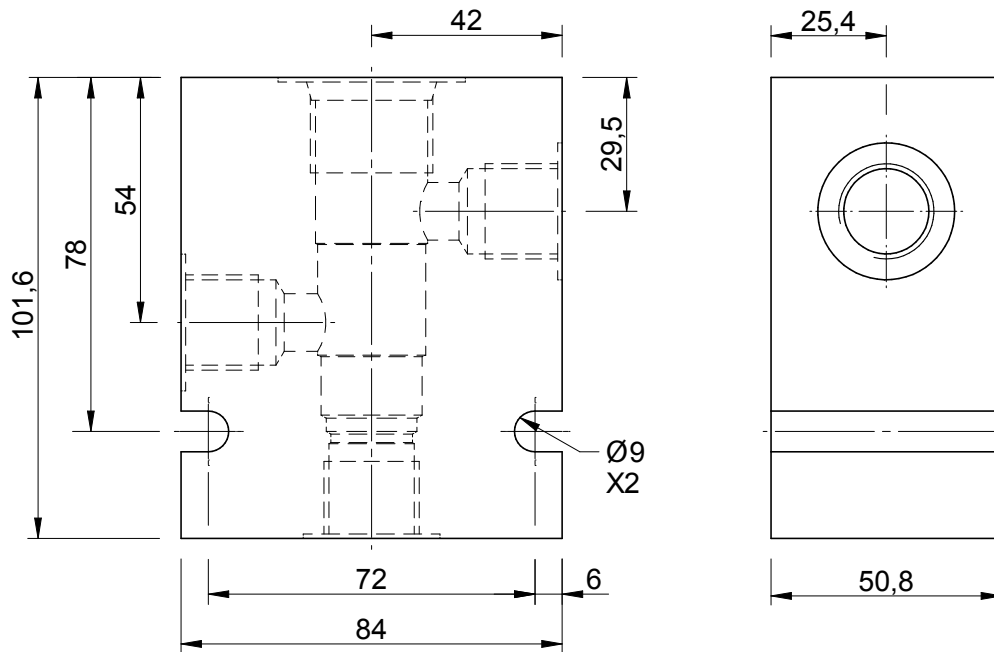
B-DTR





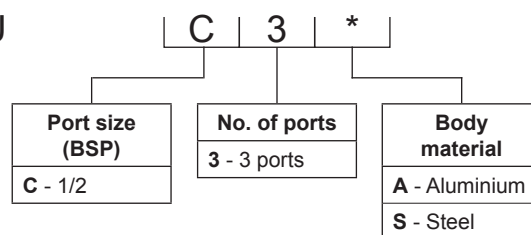
Cavity: CAV-TU12-3 (1 1/16 - 12 UNF).

Port Size  
1/2 BSP



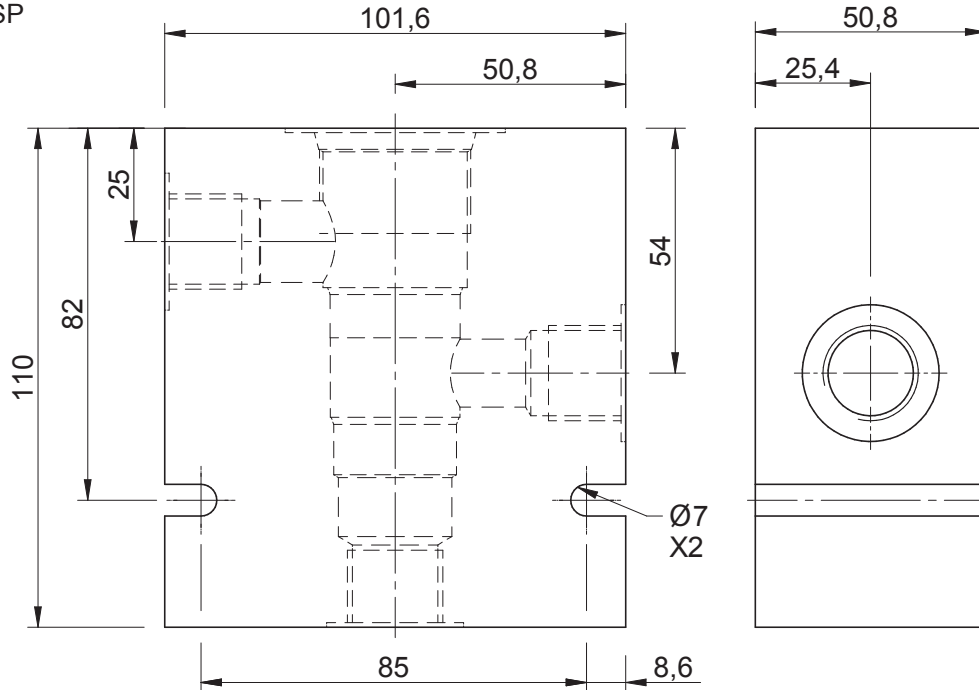
Ordering Code

**B-DHU**



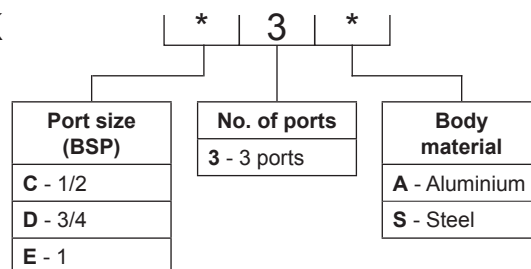
**Port Size**

1/2, 3/4 & 1 BSP

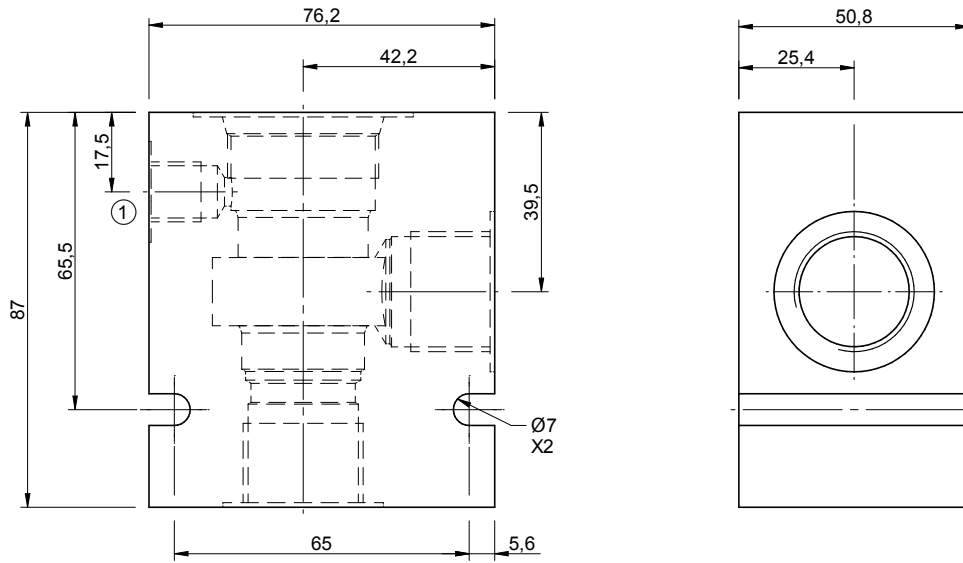


**Ordering Code**

B-DSK

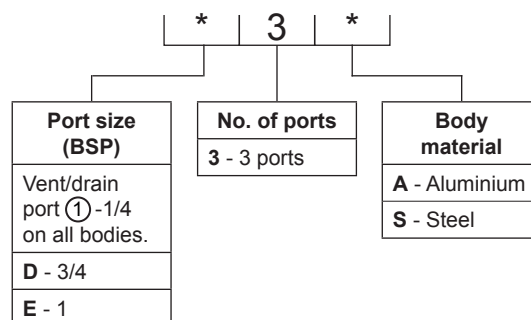


**Dimensions**  
[mm]



**Ordering Code**

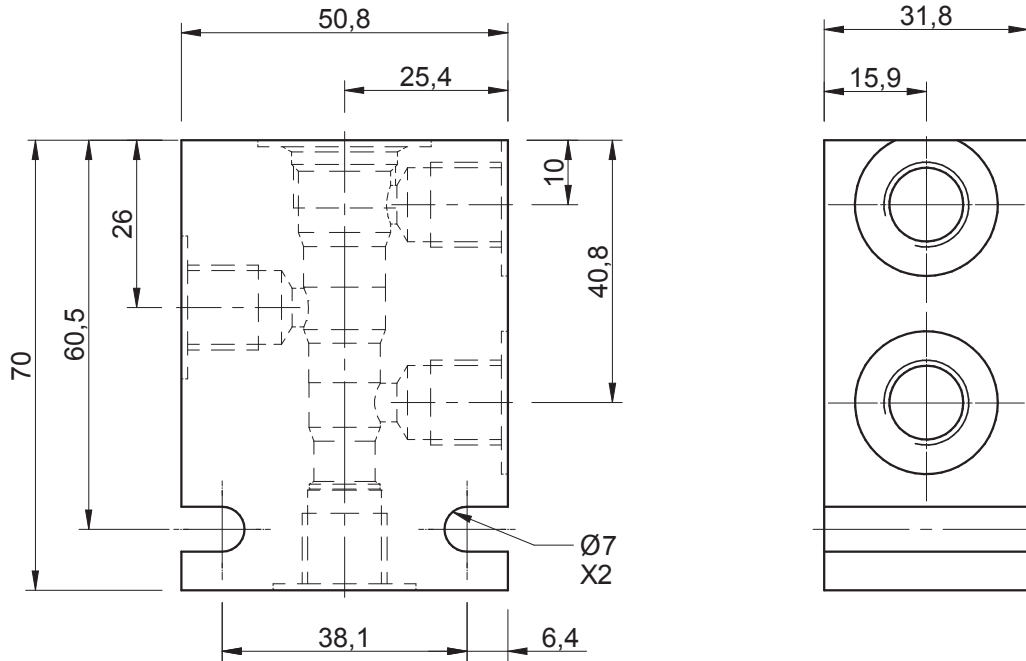
B-DSL



Cavity: CAV-MD07-4 (5/8 - 18 UNF).

**Port Size**

1/4 BSP



**Ordering Code**

**B-DMD**

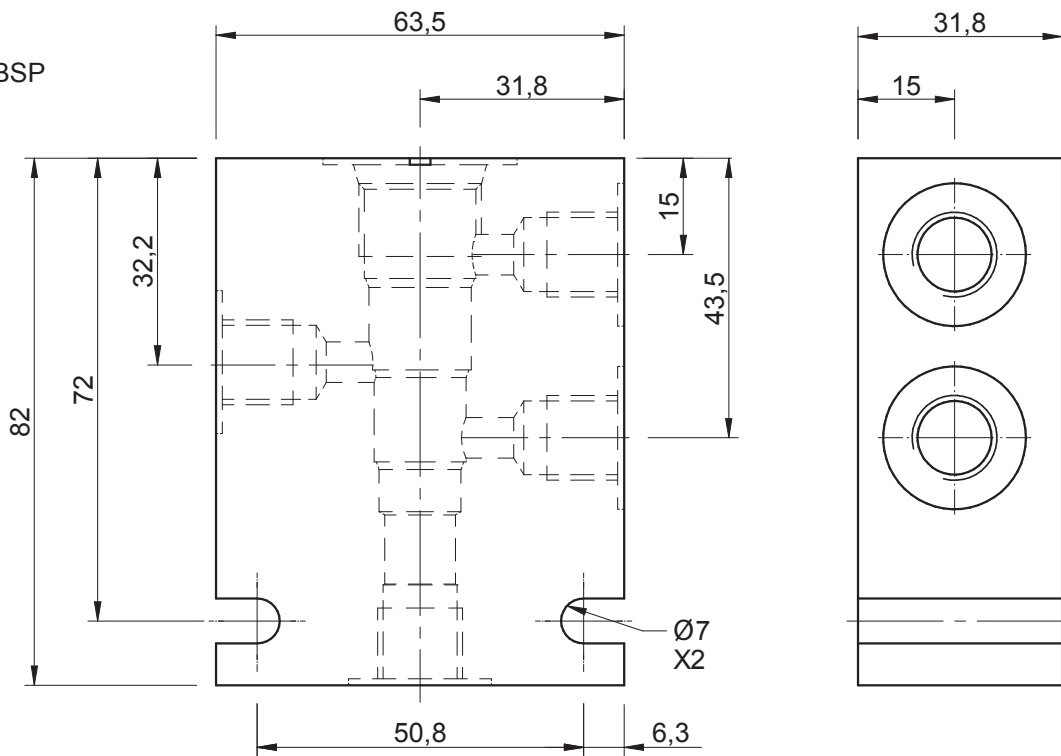
**A | 4 | \***

Port size (BSP)
A - 1/4

No. of ports
4 - 4 ports

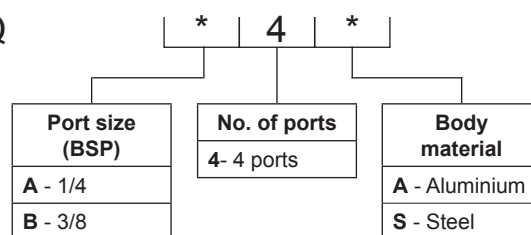
Body material
A - Aluminium
S - Steel

**Port Size**  
1/4 & 3/8 BSP

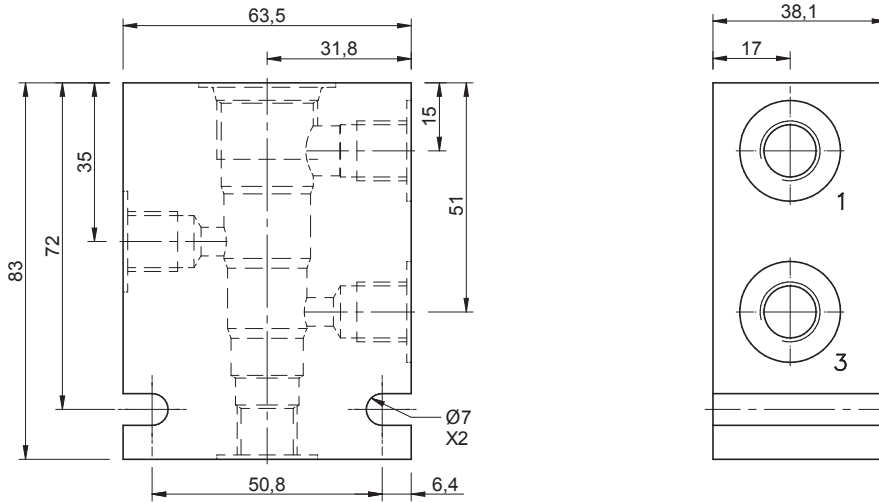


**Ordering Code**

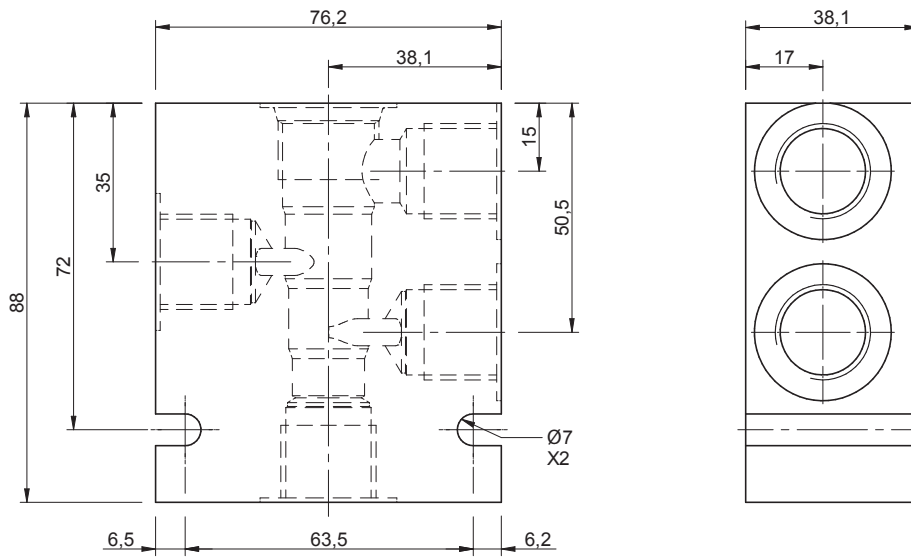
**B-DPQ**



**Port Size**  
1/4 & 3/8 BSP

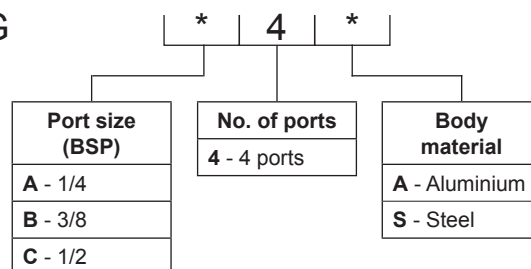


**Port Size**  
1/2 BSP

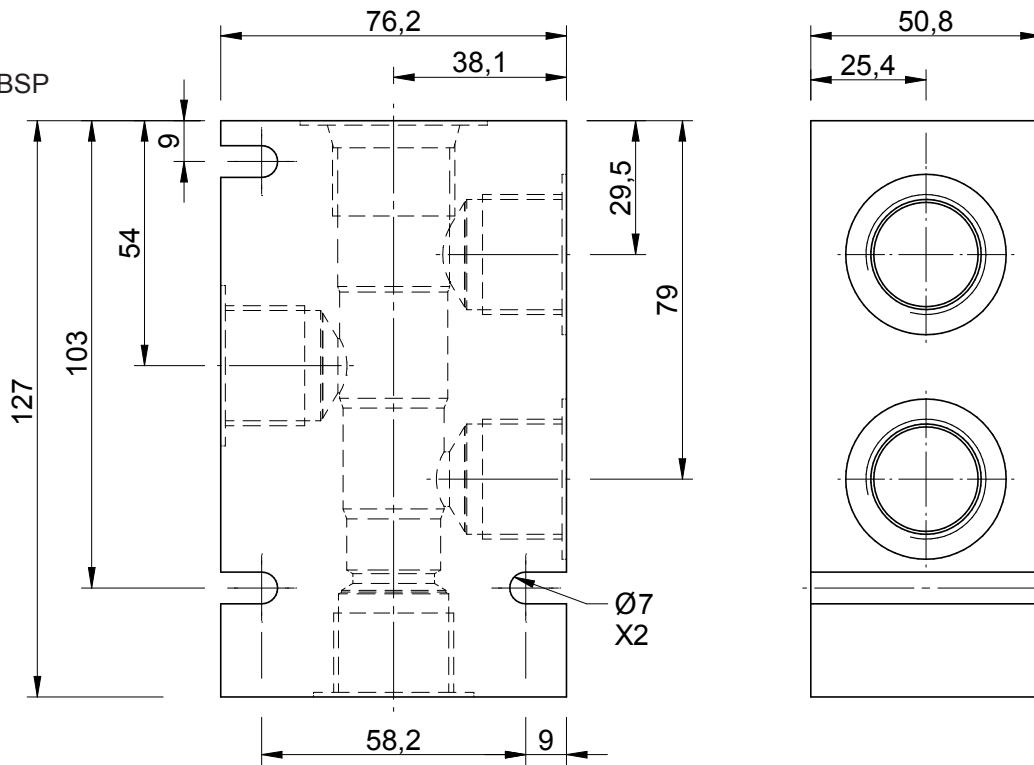


**Ordering Code**

**B-DDG**

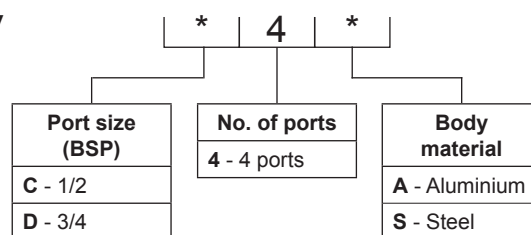


Port Size  
1/2 & 3/4 BSP

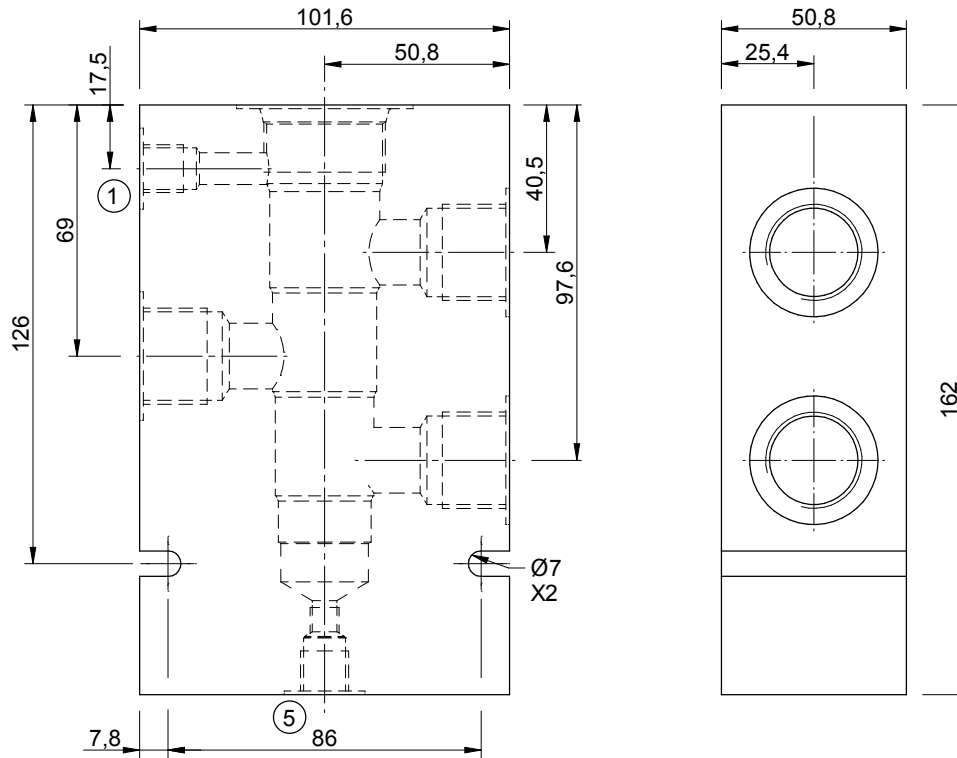


Ordering Code

B-DHV



**Port Size**  
1/2, 3/4 & 1 BSP



**Ordering Code**

**B-DSO**

\* 5 \*

Port size (BSP)
C - 1/2"
D - 3/4"
E - 1"

No. of ports
5 - 5 ports

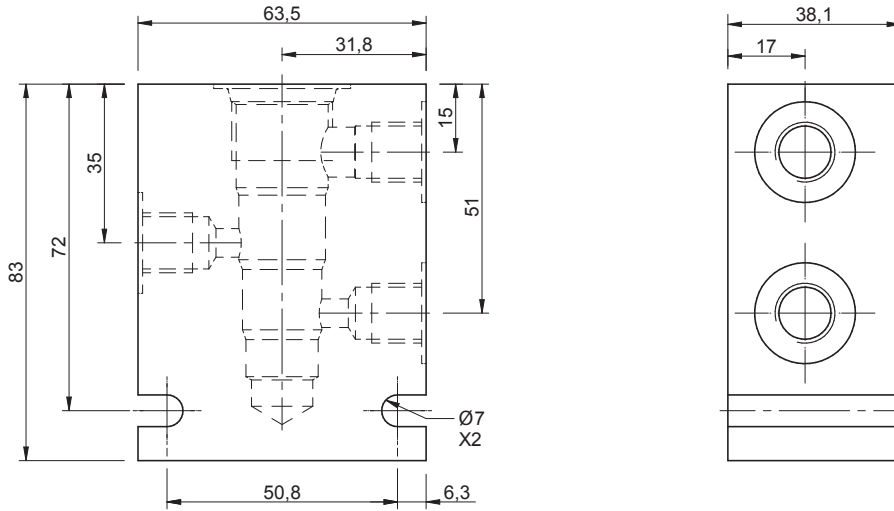
Body material
A - Aluminium
S - Steel

Port ① (drain) = 1/4" BSP
Port ⑤ (remote pilot) = 1/4" BSP

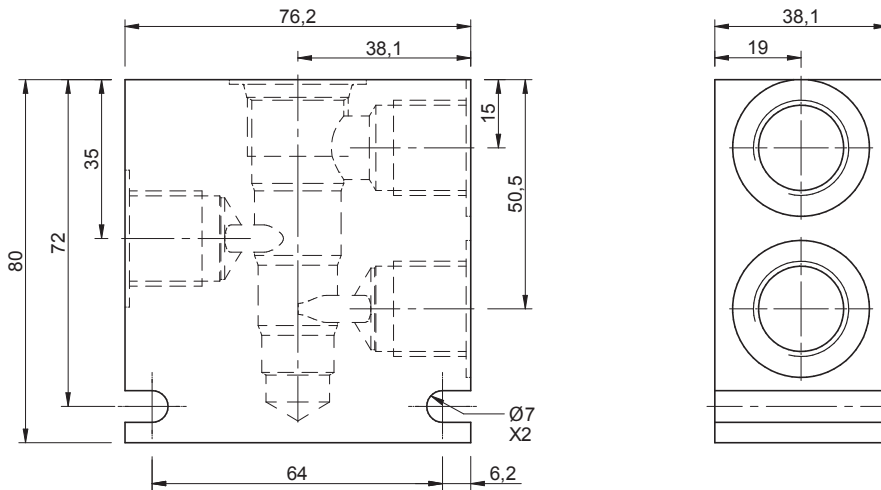


Cavity: CAV-DG10-4 (7/8 - 14 UNF).

**Port Size**  
1/4 & 3/8 BSP

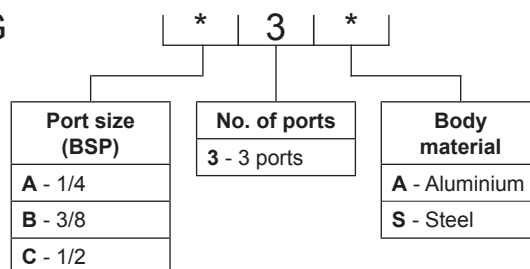


**Port Size**  
1/2 BSP



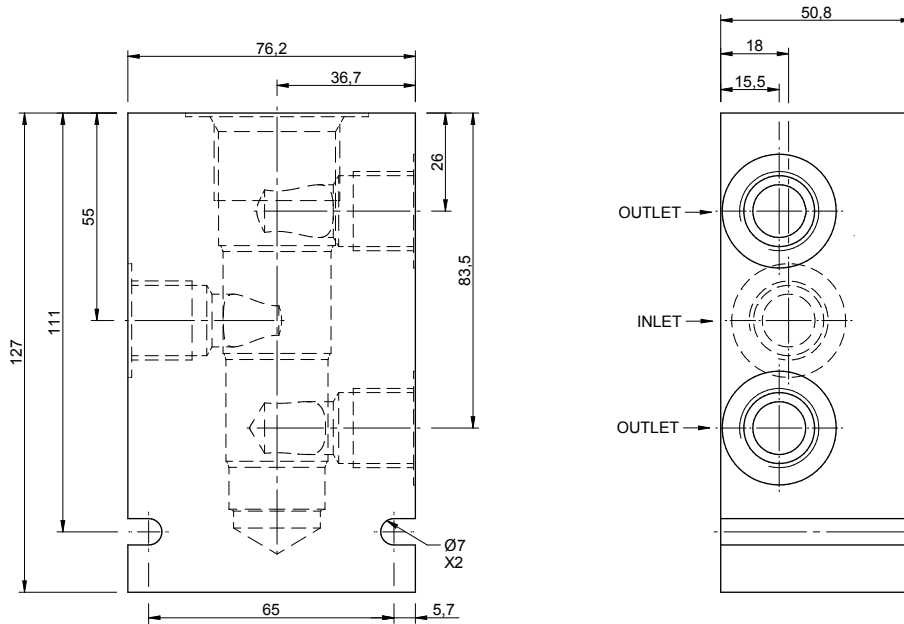
**Ordering Code**

**B-DDG**

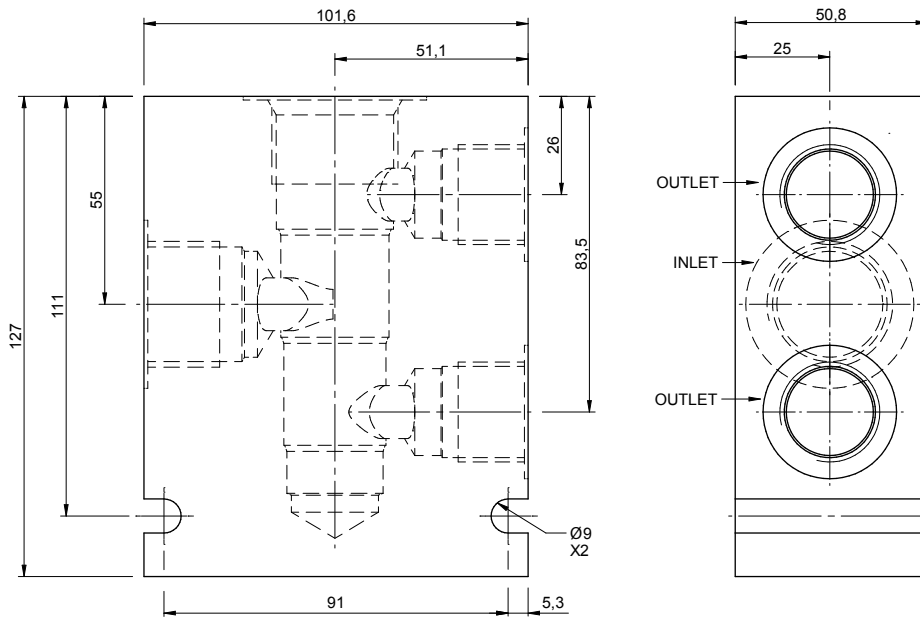


Cavity: CAV-SN16-4 (1 5/16" - 12 UNF).

**Port Size**  
1/2 & 3/4 Inlet BSP  
1/2 Outlet BSP

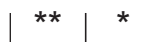


**Port Size**  
1 Inlet BSP  
3/4 Outlet BSP



**Ordering Code**

**B-DSN**



Port size (BSP)		
Code	Inlet	Outlets
CC	1/2	1/2
DC	3/4	1/2
ED	1	3/4

Body material
A - Aluminium
S - Steel