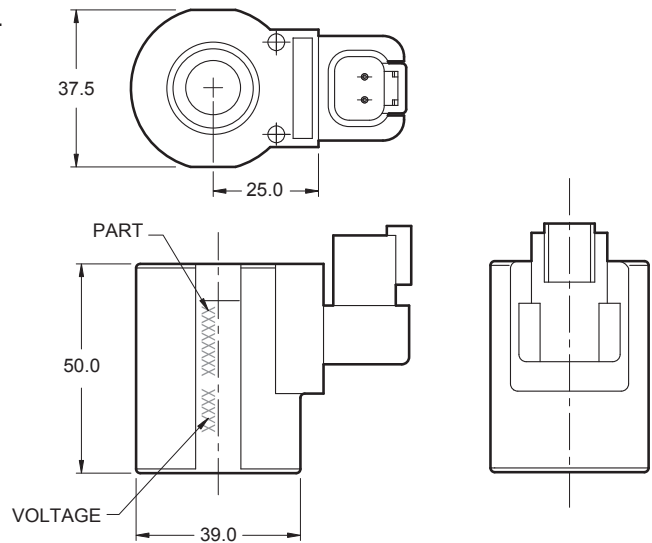




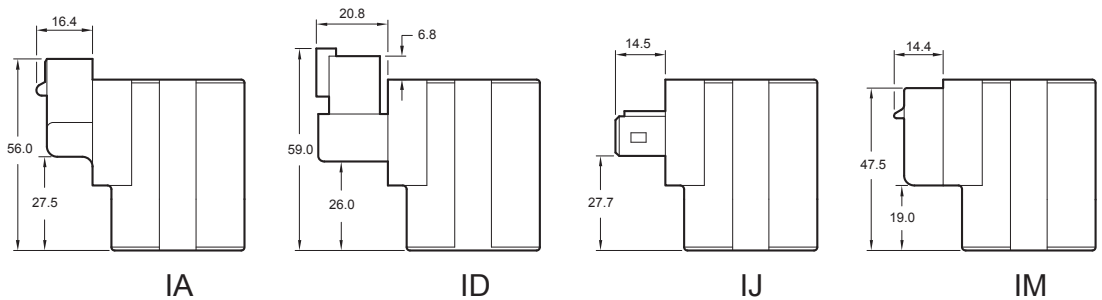
Features

- One piece encapsulated design.
- Weatherproof
- Immersion proof.
- Thermal shock / Dunk tested.
- No external metal shell.

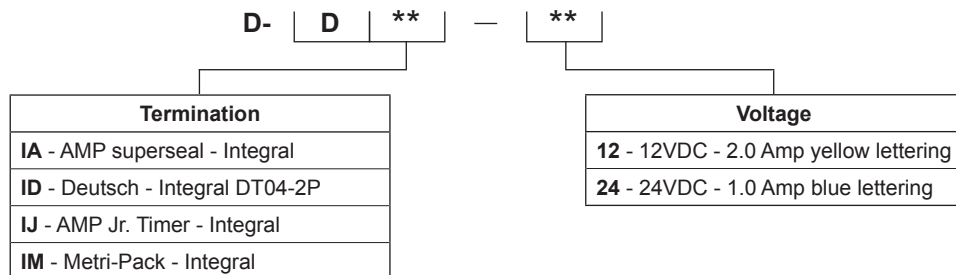


Specifications

Wattage	24 watts nominal
Duty rating	Continuous duty ±10% rated voltage at 49°C ambient
Minimum current for actuation	80% of rated current at room temperature
Magnet wire class	H for all voltages
Temperature range	-40°C to 200°C
Protection degree	IP 69 *(achieved with suitable nut - see note below)
Encapsulating material	Thermo-plastic, resistant to moisture, caustic solutions, fungus and vibrations.
Approx. coil weight	0.23 kg



Ordering Code



***Note** Pull type valves require nut PT-NTDE36202073 in lieu of standard nut.
Push type valves require nut PT-NTDE36202071 in lieu of standard nut.