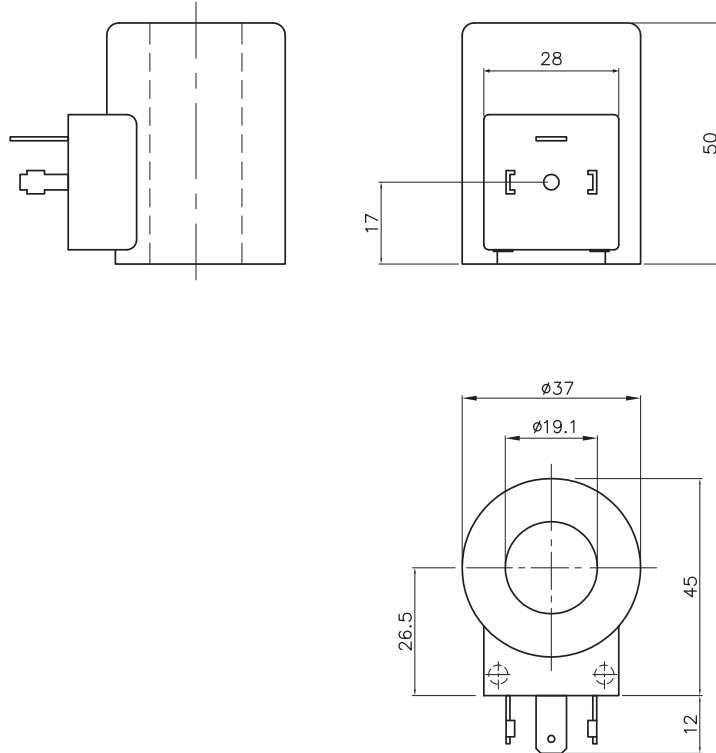




Features

- One piece water resistant encapsulated design.
- Numerous terminals and voltages available.
- Internal arc suppression diodes available on request.

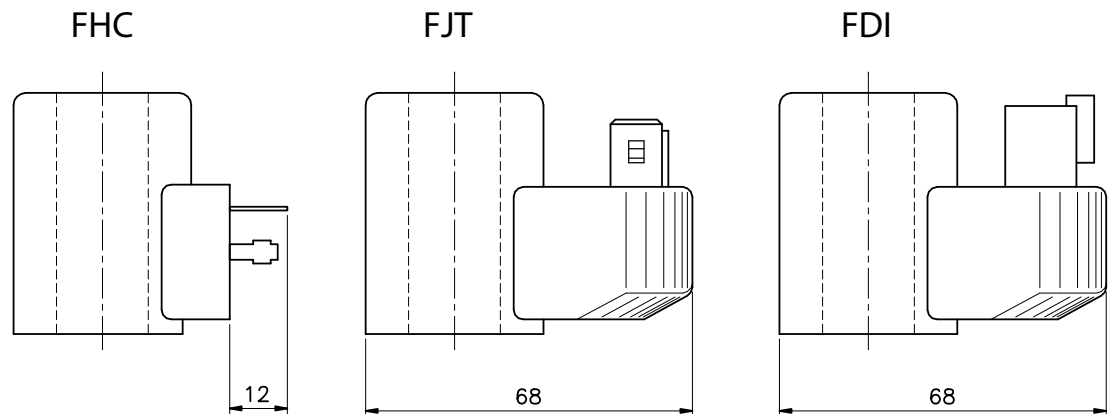


Specifications

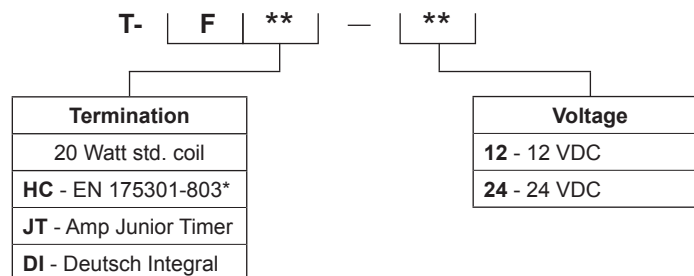
Wattage	19 watts nominal
Duty rating	Continuous duty $\pm 10\%$ rated voltage at 49°C ambient
Minimum current for actuation	80% of rated current at room temperature
Magnet wire class	H for all voltages
Temperature range	-40°C to 200°C
Protection degree	IP 65 (achieved with suitable connector)
Lead wires	18 gauge, 610mm long, 600 volt rating, with strain relief
Encapsulating material	Glass filled polyester, resistant to moisture, caustic solutions, fungus and vibrations. Metallic parts protected against oxidation.
Approx. coil weight	0.22 kg

Coil Model Numbers

Termination	FHC	FJT	FDI
Description	EN 175301-803*	Amp Junior Timer	Deutsch Integral DT04-2P
Voltage / Amp	12VDC / 1.66	12VDC / 1.66	12VDC / 1.66
Voltage / Amp	24VDC / 0.83	24VDC / 0.83	24VDC / 0.83



Ordering Code



*Formerly DIN 43650 Hirschmann connector.