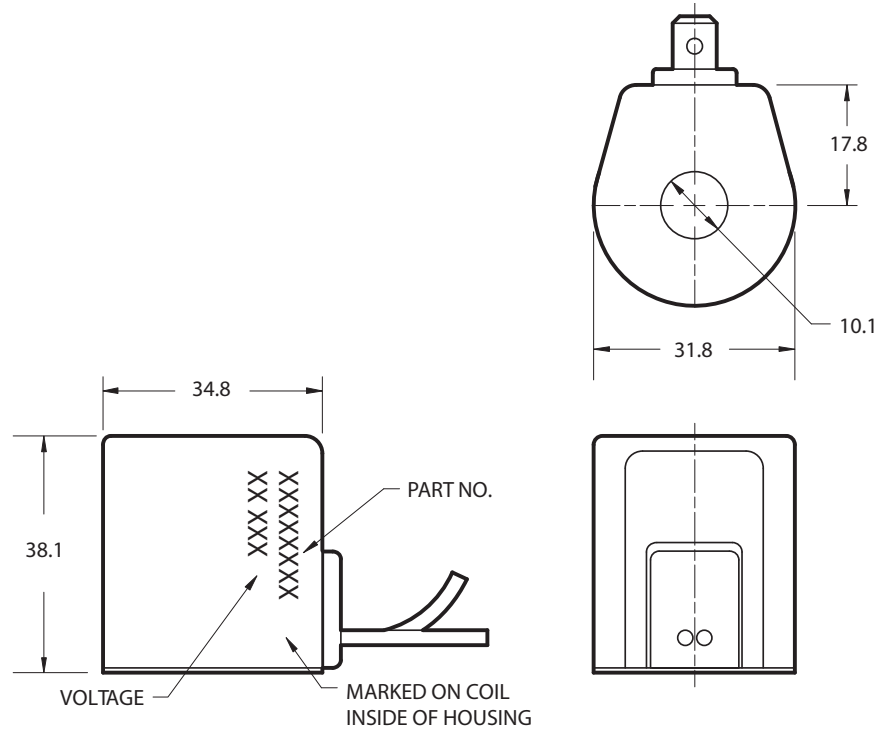

Features

- Numerous terminals and voltages.
- Heavy gauge color coded lead wire.


Specifications

Wattage	20 Watts nominal
Duty rating	Continuous duty $\pm 10\%$ rated voltage at 21°C ambient. Intermittent duty for higher ambient temperature
Minimum current for actuation	80% of rated current at room temperature
Magnet wire class	H for all voltages
Temperature range	-40°C to 200°C
Protection degree	IP 65 (achieved with suitable connector)
Lead wires	18 gauge, 610 mm long, 600 volt rating, with strain relief
Encapsulating material	Glass filled polyester, resistant to moisture, caustic solutions, fungus and vibrations. Material temperature range is -40°C to 200°C
Approx. coil weight	0.14 kg

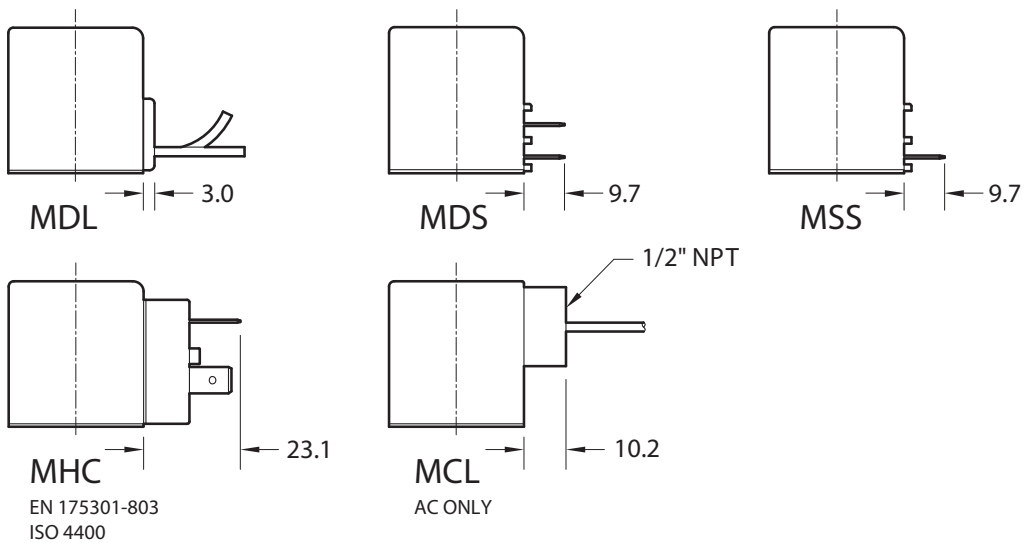
Note: A.C. Coils incorporate integrally molded full wave rectifiers which are rated for reverse voltage peaks of 1000 volts maximum. A.C. Coils are rated 50/60 HZ

Coil Model Numbers

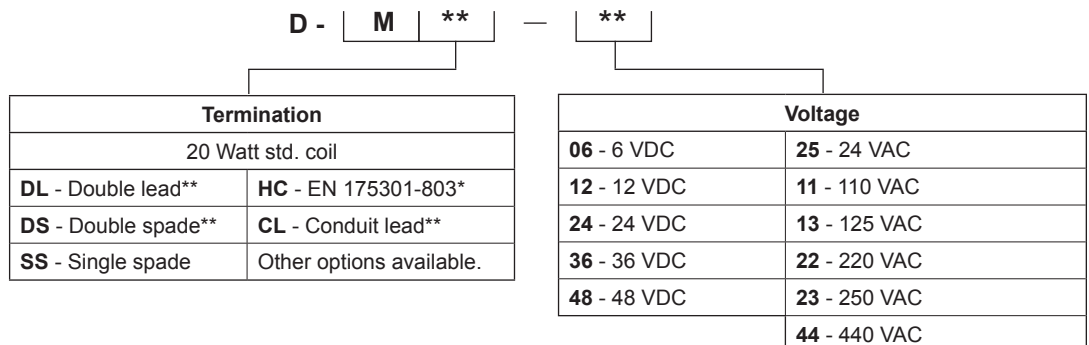
Termination	MDL	MDS	MSS	MHC	MCL		
Description	Double Lead	Double Spade	Single Spade	EN 175301-803* Connector	Double Lead Conduit	Lead Wire Color	AC Voltage Range
Voltage						ORANGE	
Amp							
Voltage	12VDC	12VDC	12VDC	12VDC		YELLOW	
Amp	1.7	1.7	1.7	1.7			
Voltage	24VDC	24VDC		24VDC		BLUE	
Amp	.86	.86		.86			
Voltage	36VDC		36VDC	36VDC		GREEN	
Amp	.57		.57	.57			
Voltage	48VDC					BROWN	
Amp	.45						
Voltage		24VAC		24VAC	24VAC	BLUE/BLACK	
Amp		.74		.74	.74		
Voltage		110VAC*		110VAC*	110VAC*	RED/WHITE	* 100VAC * 115VAC
Amp		.17		.17	.17		
Voltage						RED	* 115VAC * 130VAC
Amp							
Voltage		220VAC*		220VAC*	220VAC*	BLACK/WHITE	* 200VAC * 230VAC
Amp		.10		.10	.10		
Voltage						VIOLET/WHITE	* 225VAC * 260VAC
Amp							
Voltage						VIOLET	* 400VAC * 460VAC
Amp							

* Optimum operating voltage noted.

Conduit connectors on A.C. coils have a maximum torque of 6.8 Nm. Arc suppression diode available.



Ordering Code



*Formerly DIN 43650 Hirschmann connector. **Only these coil terminations are stock.