

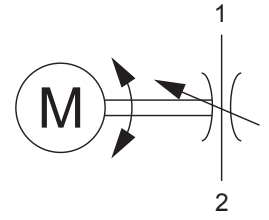


Up to 245 bar - Up to 45 lpm

Operation

The D-AENVA can be adjusted to any position between fully open and fully closed by applying electrical power to the motor. The amount of valve opening does not change unless the electric motor is activated. When adjusted open, the valve allows flow from (1) to (2) and (2) to (1). When fully closed the valve blocks flow from (1) to (2) and (2) to (1).

Symbol

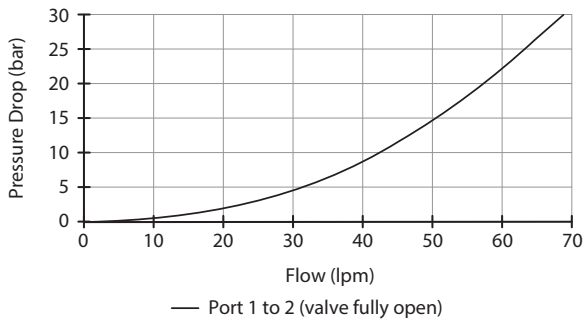


Features

- Hardened parts for long life.
- Industry common cavity.

Performance

32 cSc / 38°C.

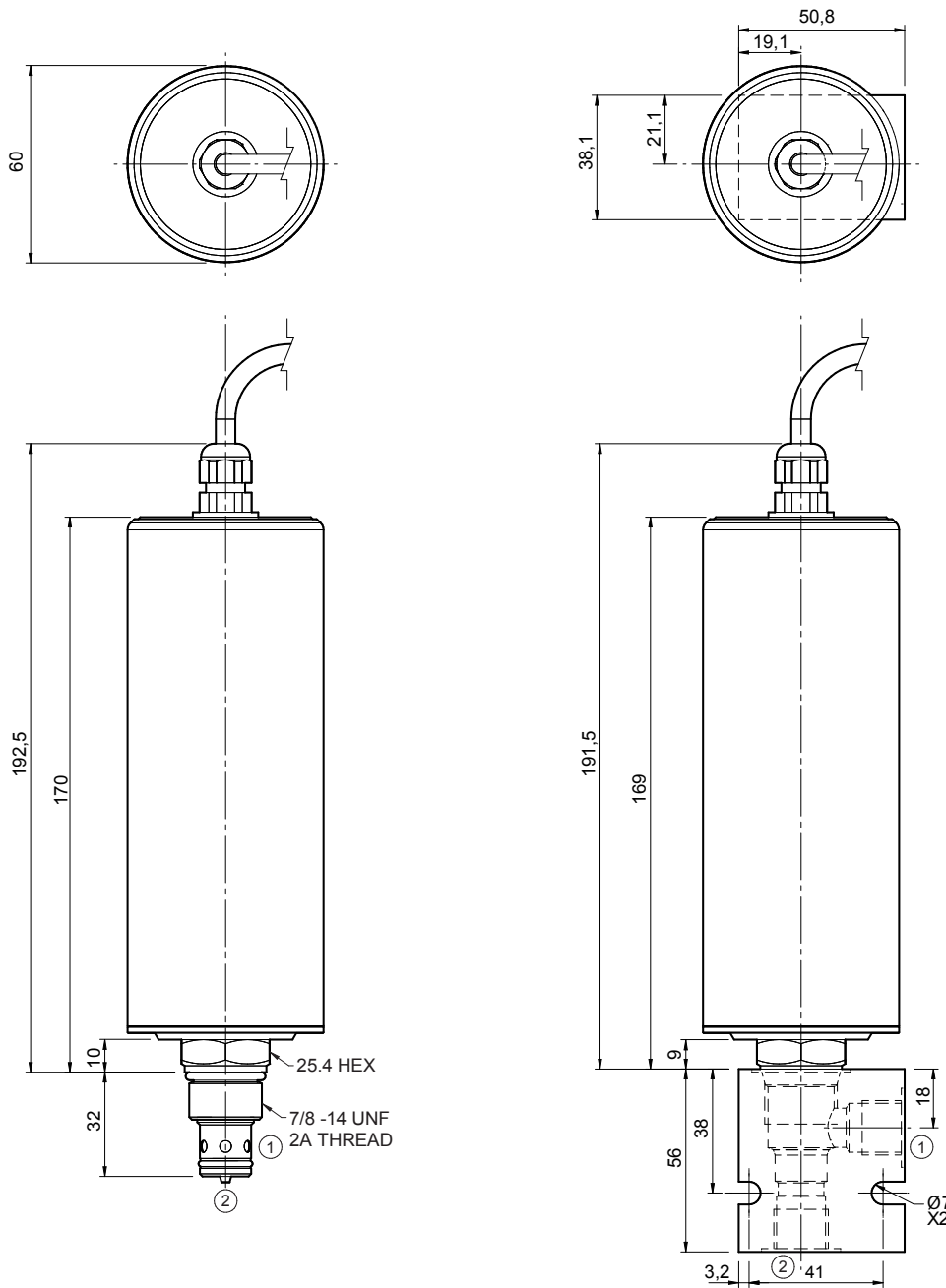


Gear ratio	Response time (full closed to full open)
100	7 sec.
250	14 sec.
500	28 sec.

Specifications

Nom. Flow (lpm)	45
Max. Pressure (bar)	245
Hydraulic Oil	General purpose hydraulic fluid
Viscosity Range	3 to 640 cSt
Filtration	ISO 18/16/13
Operating Temp.	-40 to 120°C
Cartridge Torque	41 Nm
Current Draw	300mA(12 VDC)/150mA(24 VDC)
Cavity	DE10-2 (see cavity data page CAV-DE10-2)
Spare Seal Kit (Viton)	SK-DDEVHA
Weight - Valve only	0.76 kg
Weight - Valve + Body	0.99 kg (alum) 1.67 kg (steel)

Dimensions
[mm]



Ordering Code

