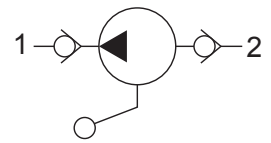

 Up to 34 bar - 6 cm³/stroke

Operation

The D-DEHPC hand pump when pulled primes thru Port (2) and when pushed provide flow pressure to outlet port (1).

Symbol

Features

- Small profile.
- Industry common cavity.
- Large displacement per stroke.



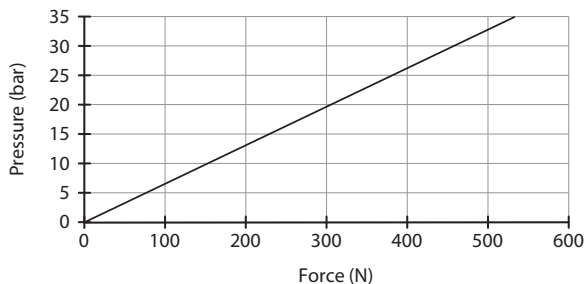
This product is not intended as a load holding device

For higher pressure requirements see lever operated versions:

D-DEHPB, D-DEHPD & K-DEHPD

Performance

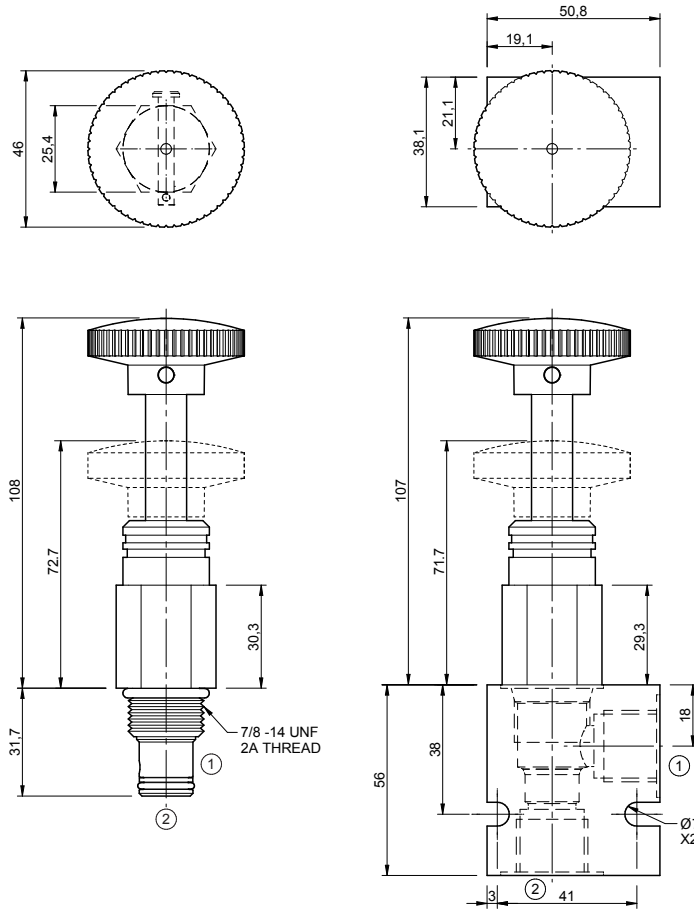
32 cSc / 38°C.

 Pump effective area: 154 mm²

Specifications

Nom. Flow	6 cm ³ /stroke
Max. Pressure (bar)	34
Internal Leakage (32 cSt)	2.5 cc/min
Hydraulic Oil	General purpose hydraulic fluid
Viscosity Range	3 to 640 cSt
Filtration	ISO 18/16/13
Operating Temp.	-40 to 120°C
Cartridge Torque	41 Nm
Cavity	DE10-2 (see cavity data page CAV-DE10-2)
Spare Seal Kit (Viton)	SK-DDEVHA
Weight - Valve only	0.26 kg
Weight - Valve + Body	0.49 kg (alum) 0.91 kg (steel)

Dimensions

[mm]



Ordering Code

D-DEHPC

